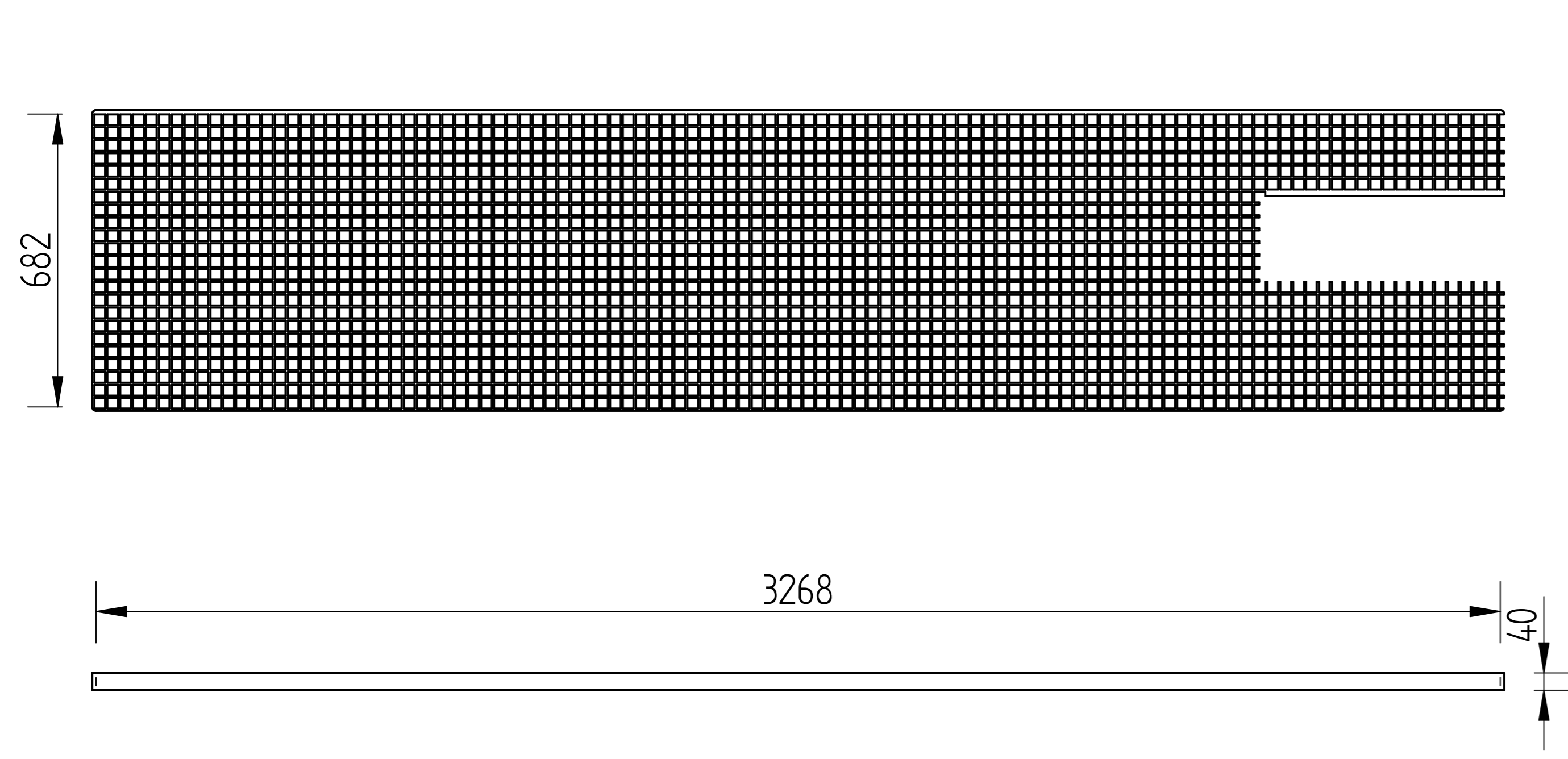


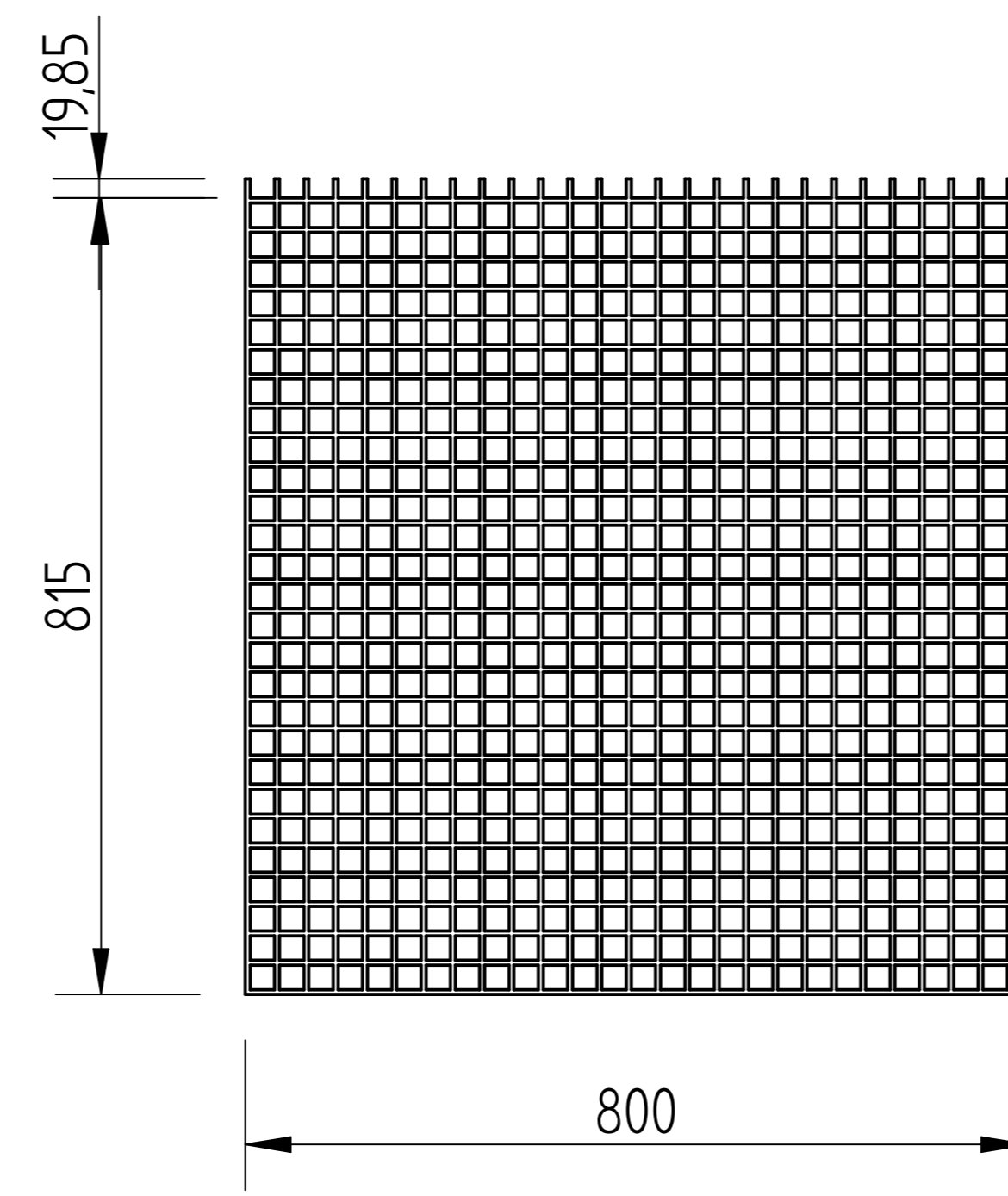
1440-CF-000

Item Number	Document Number	Title	Material	Quantity
1	1440-CF-001	Floor panel A	Steel	2
2	1440-CF-002	Floor panel B	Steel	2
3	1440-CF-003	Floor panel C	Steel	2
4	1440-CF-004	Floor panel D	Steel	1
5	1440-CF-005	Floor panel E	Steel	1
6	1440-CF-006	Floor panel F	Steel	1
7	1440-CF-007	Floor panel G	Steel	2

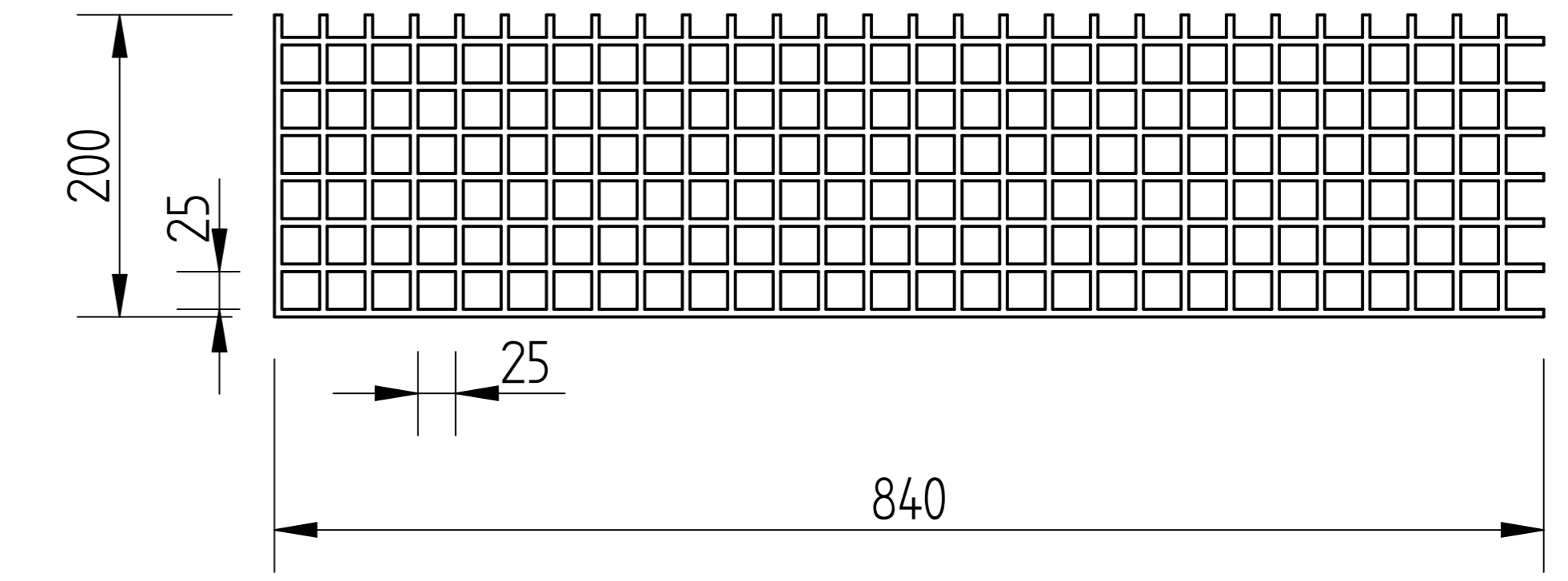
NAME	DATE	TITLE	SIZE	DWG NO	REV
DRAWN: Owner	01/28/13	EQUAL CHANCE TRADING 50	A2	1440-CF-000	A
CHECKED:					
ENG APPR:					
MGR APPR:					
UNLESS OTHERWISE SPECIFIED: DIMENSIONS ARE IN MILLIMETERS ANGLES = 0.1°			FILE NAME: floor1440.dwg		
2 PL ±0.02 3 PL ±0.005			SCALE	WEIGHT	SHEET 1 OF 2



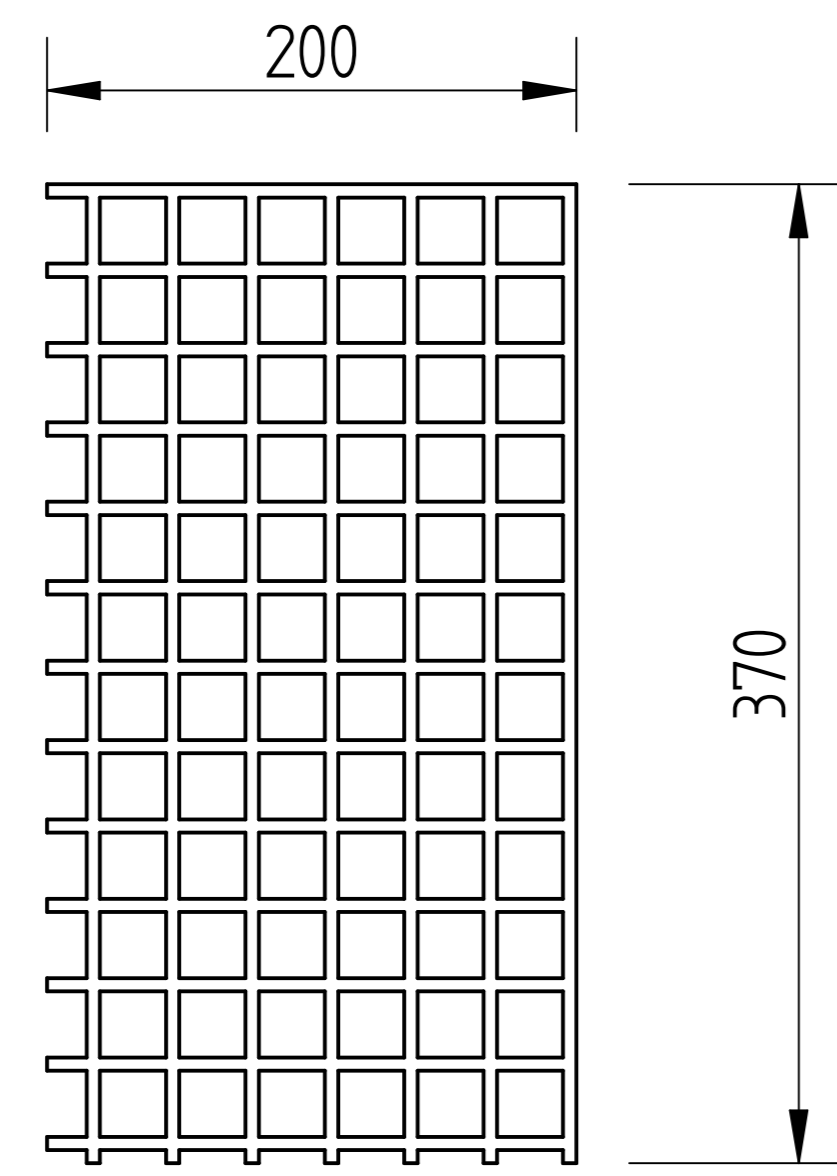
Floor panel A



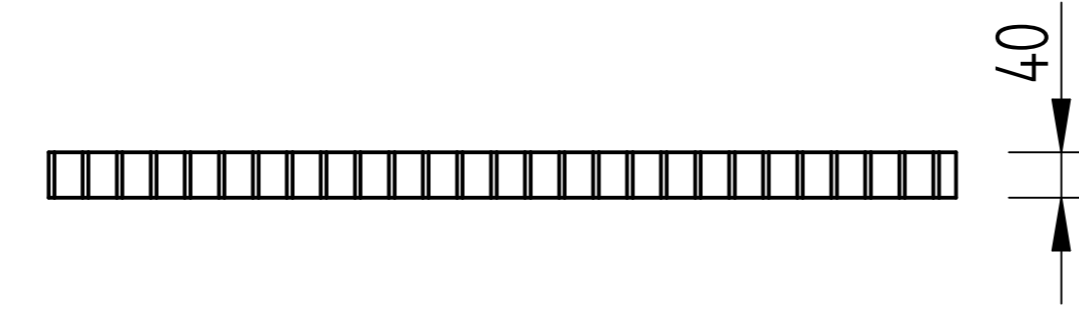
Floor panel B



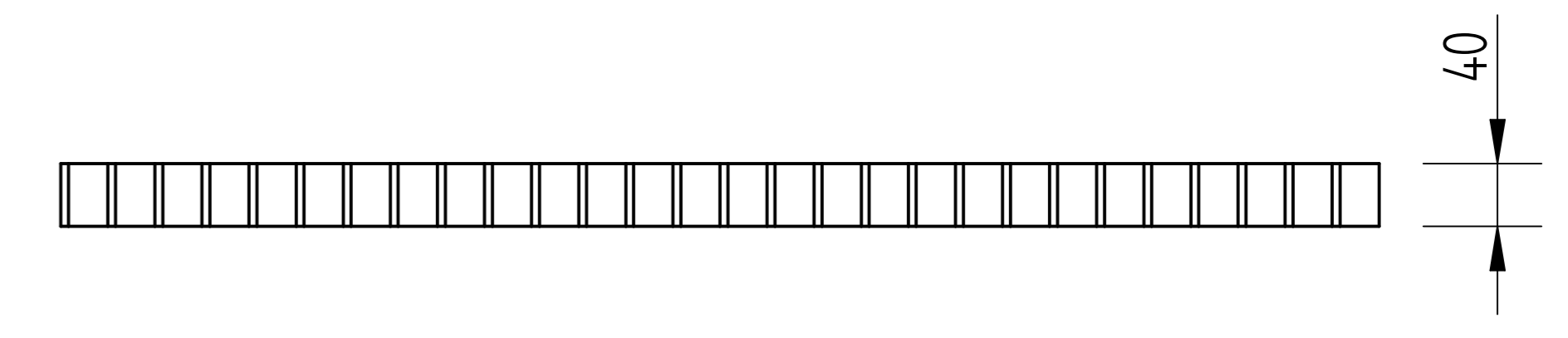
Floor panel C



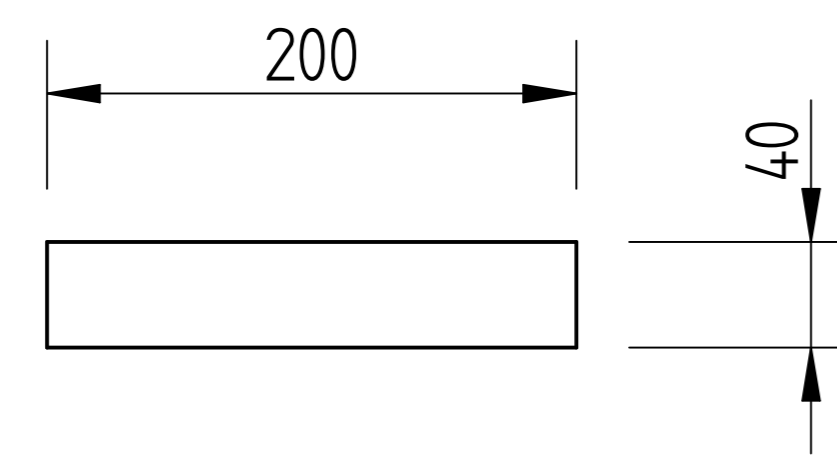
Floor panel D



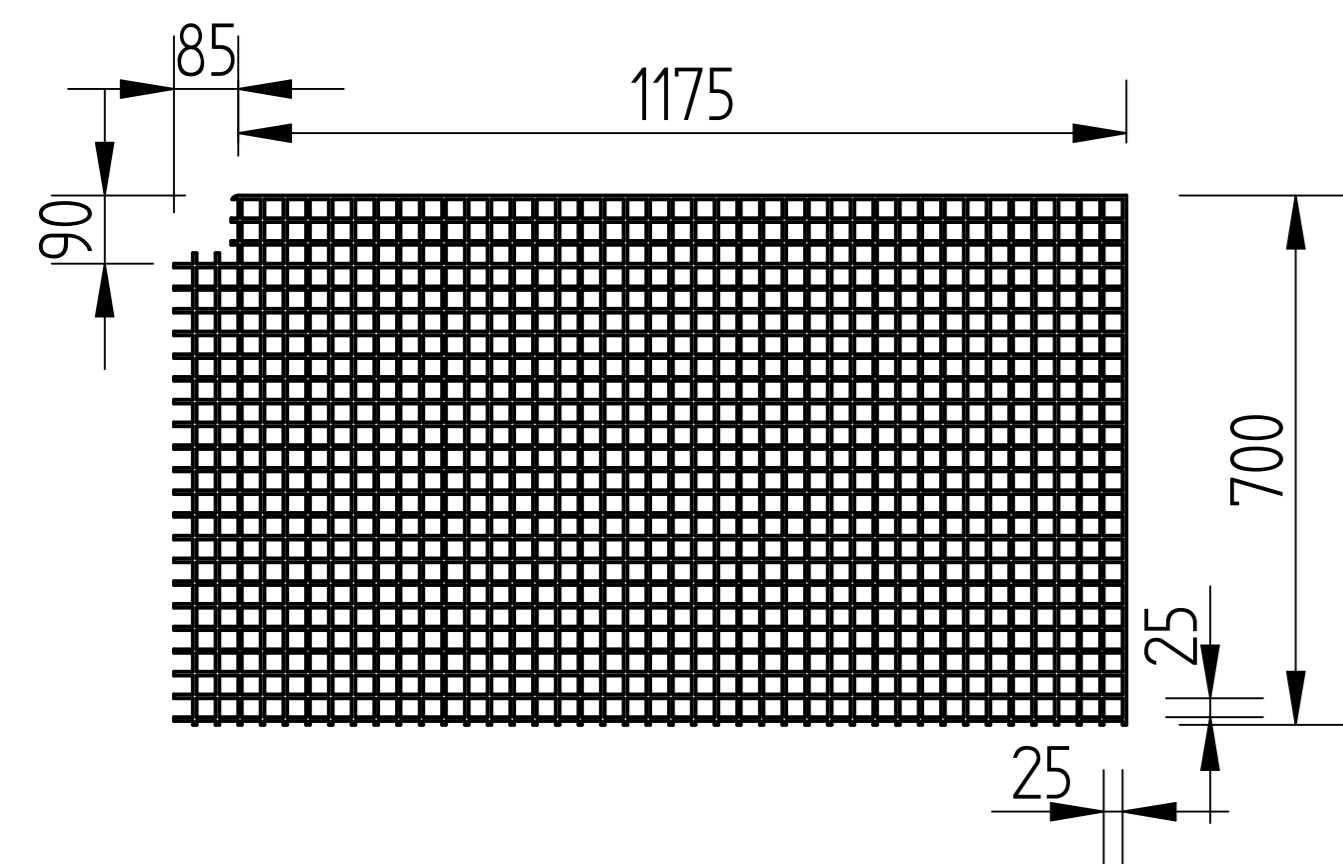
Floor panel E



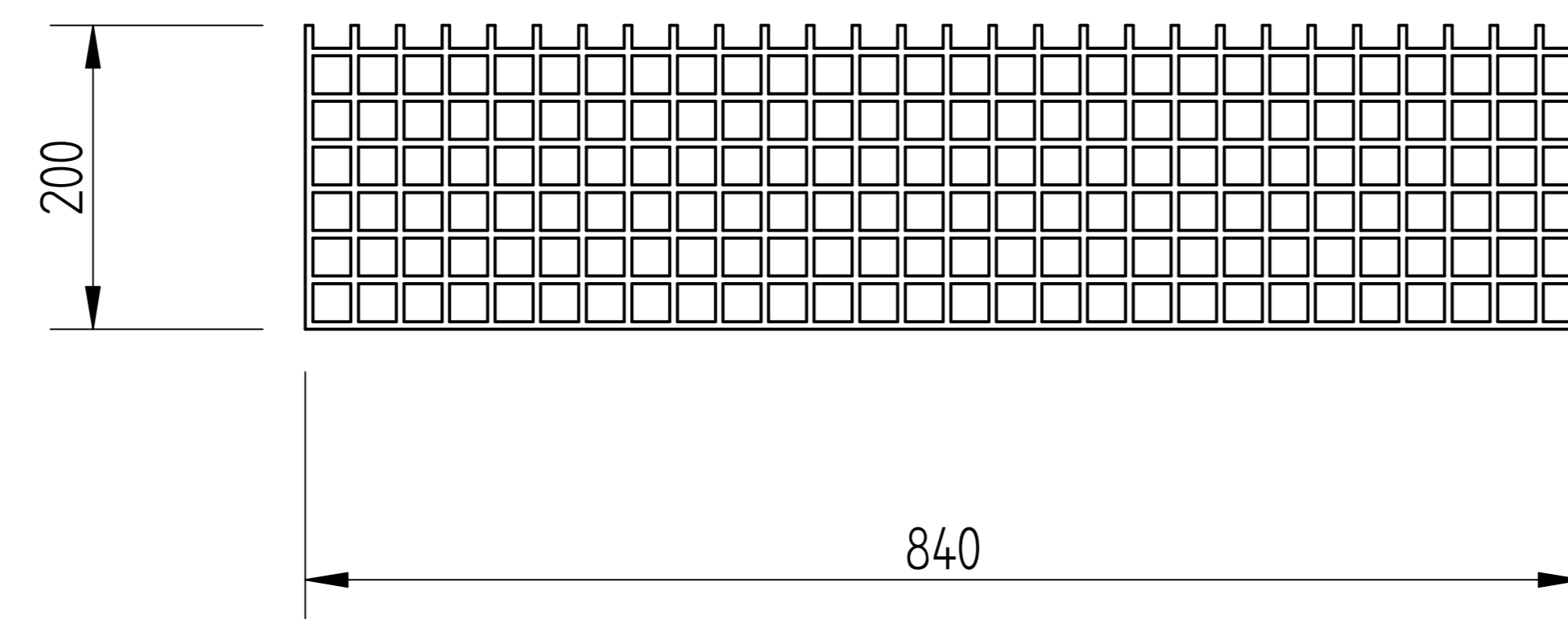
Floor panel F



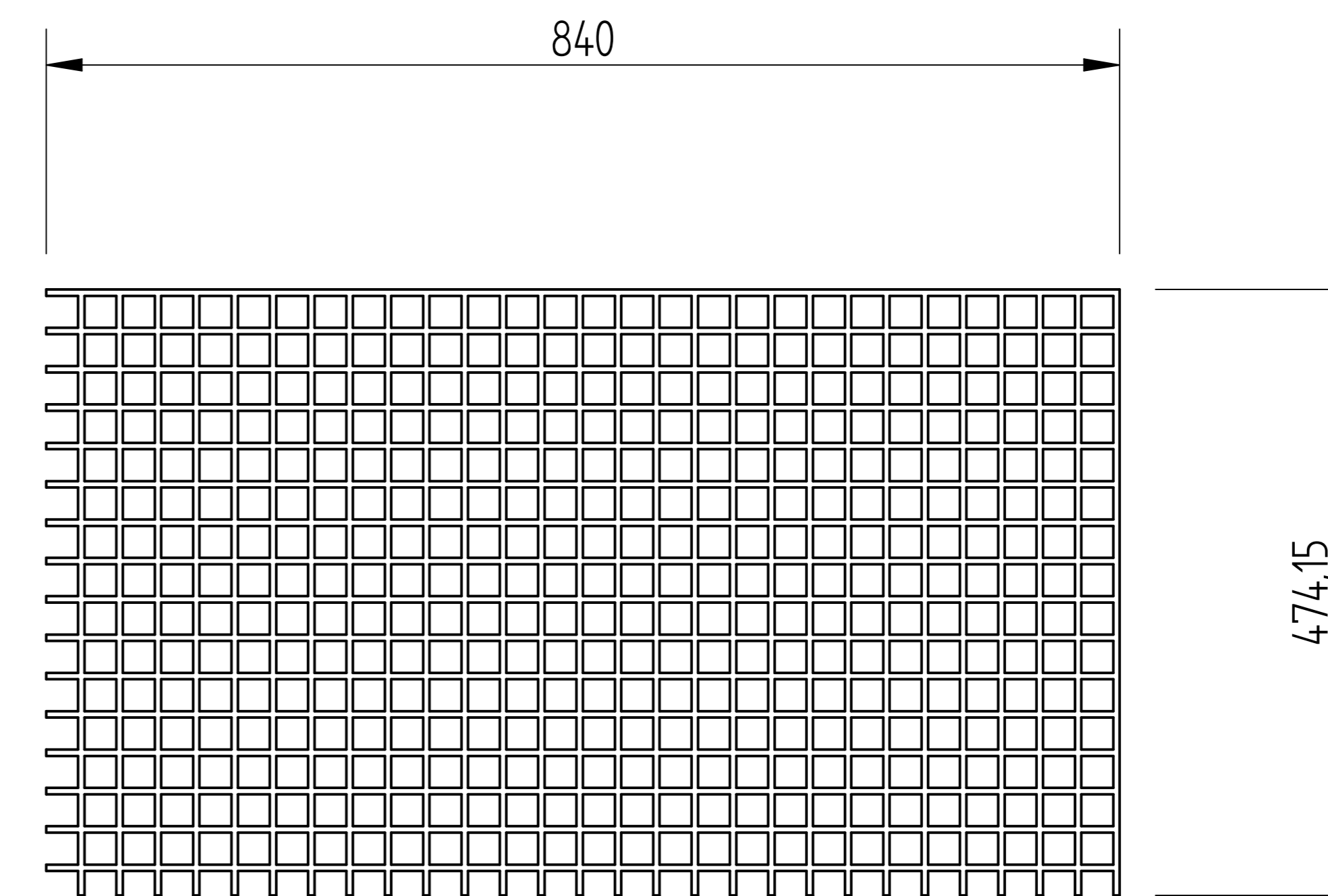
Floor panel G



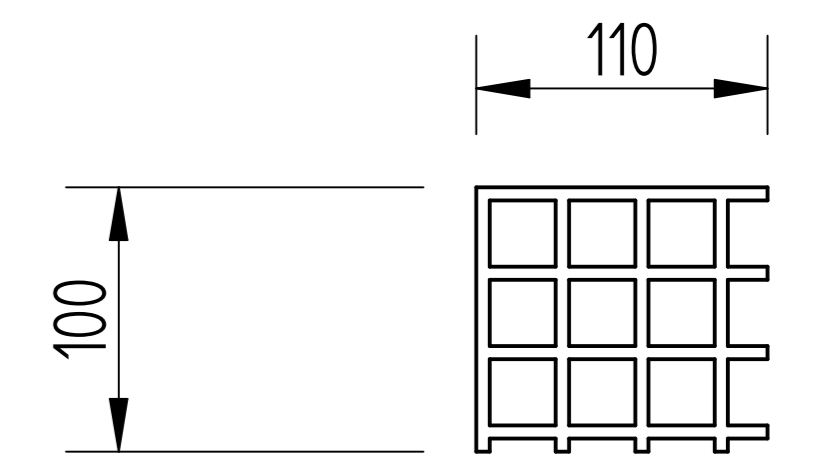
Floor panel H



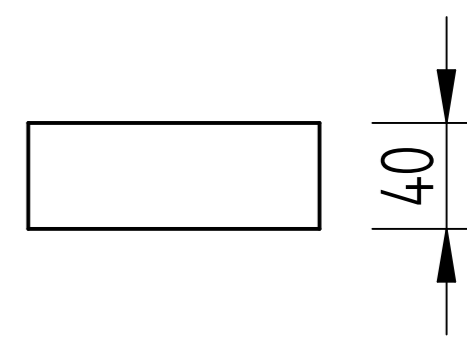
Floor panel I



Floor panel J



Floor panel K



Floor panel L

NAME	DATE	EQUAL CHANCE TRADING 50	
DRAWN: Owner	01/28/13	TITLE	1440 FLOOR
CHECKED:		SCALE	
ENG APPR:		SIZE: DWG NO	REV
MGR APPR:		A2	1440-EF-000
UNLESS OTHERWISE SPECIFIED:		FILE NAME: floor1440.dft	
DIMENSIONS ARE IN MILLIMETERS		SCALE	WEIGHT
ANGLES = 90°			SHEET 2 OF 2
2 PL = ±0.02 3 PL = ±0.005			