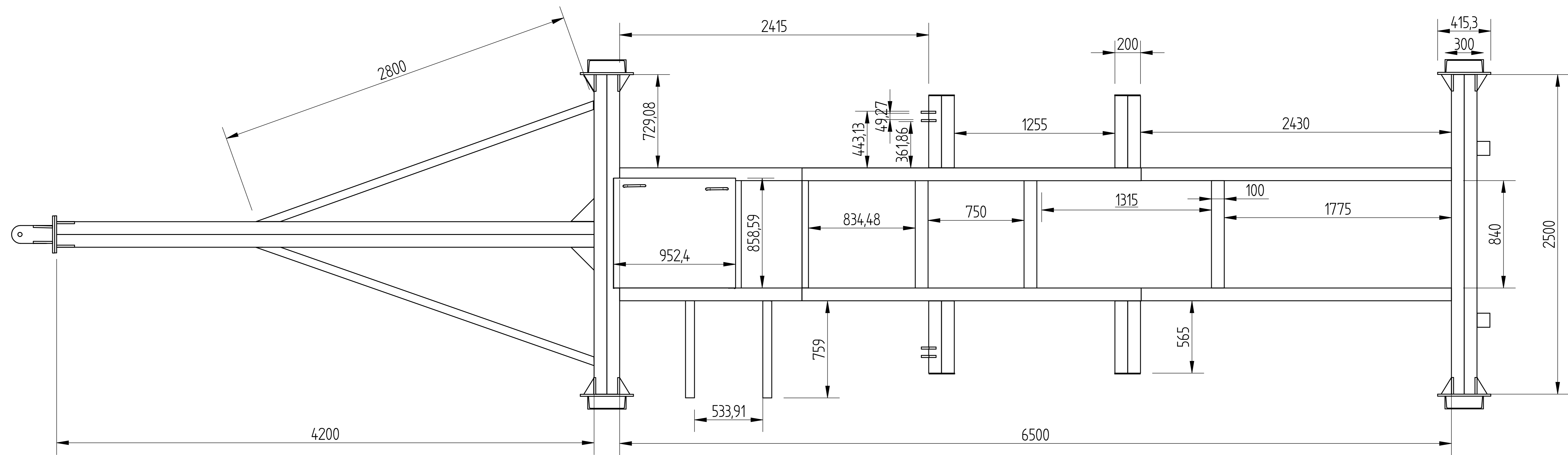
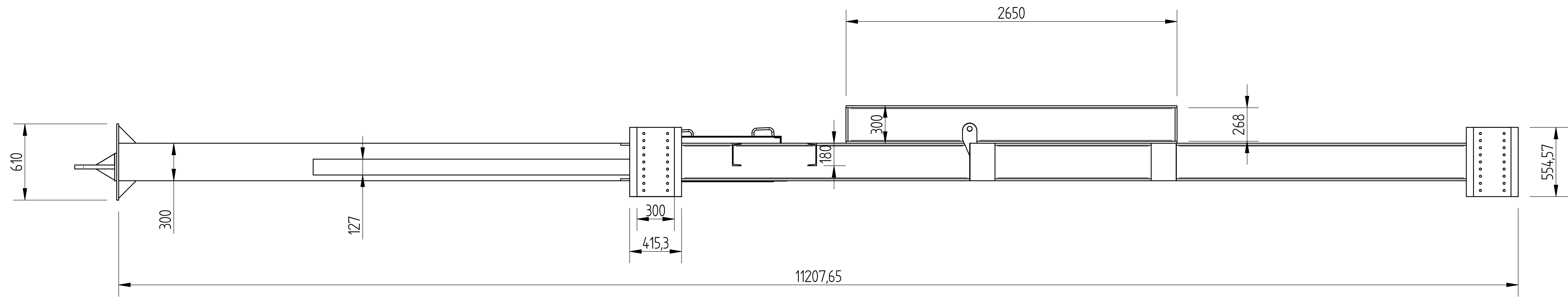


1440-CC-000 Chassis Frame

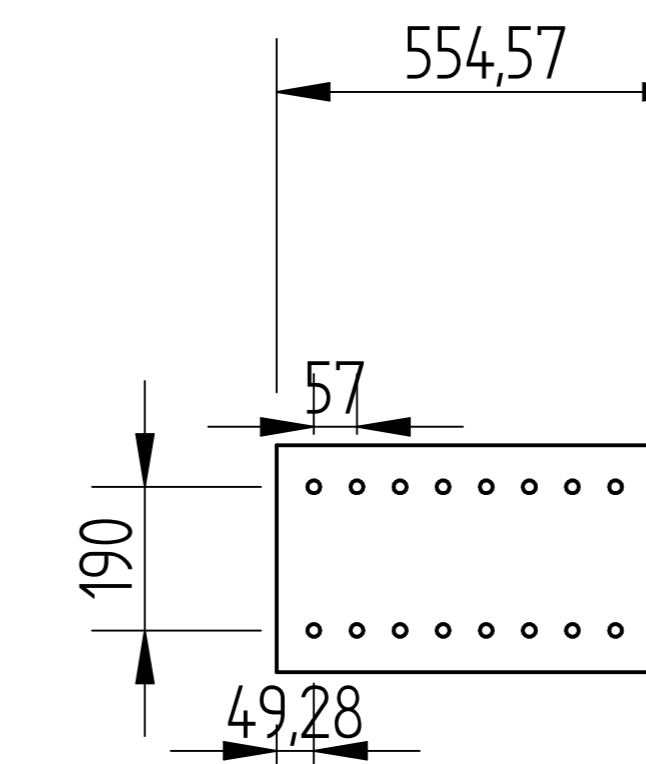
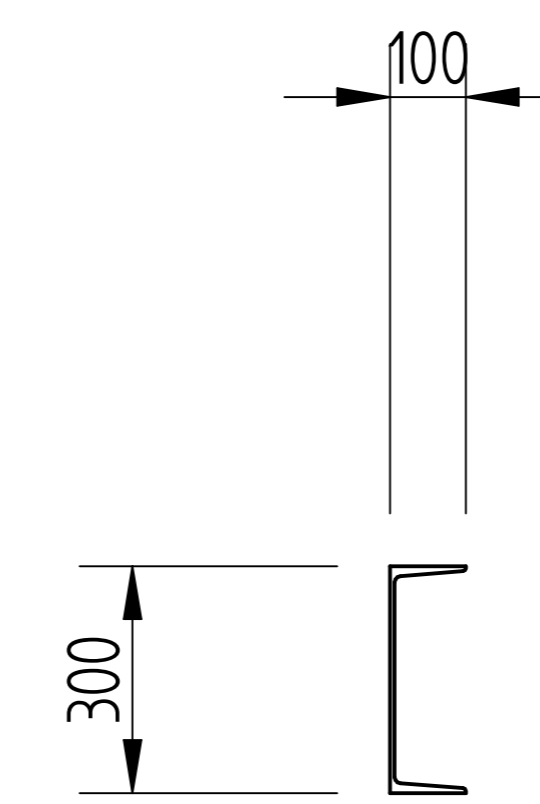
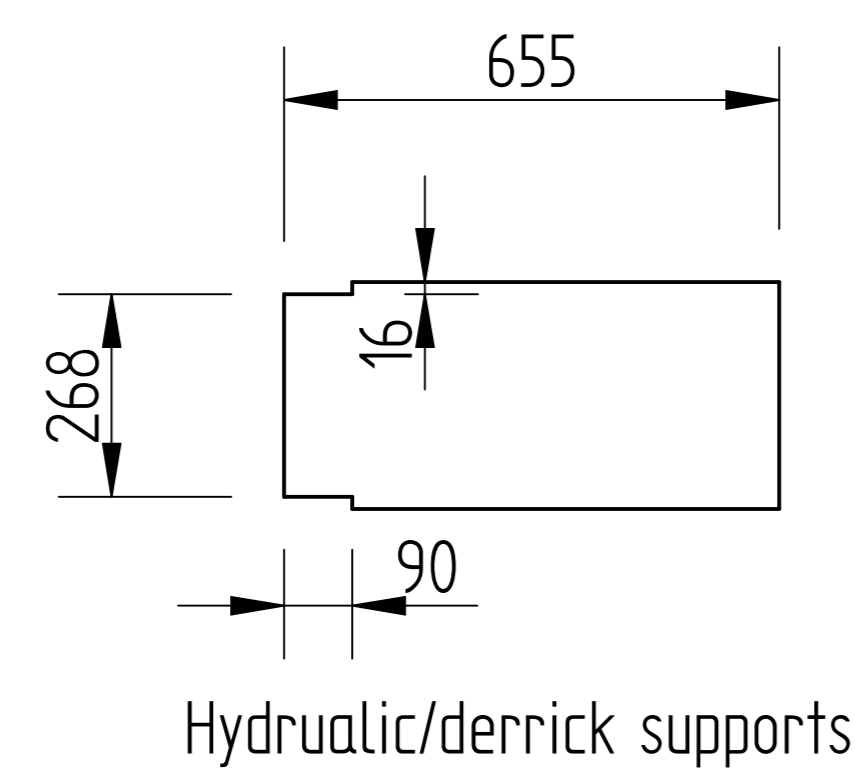
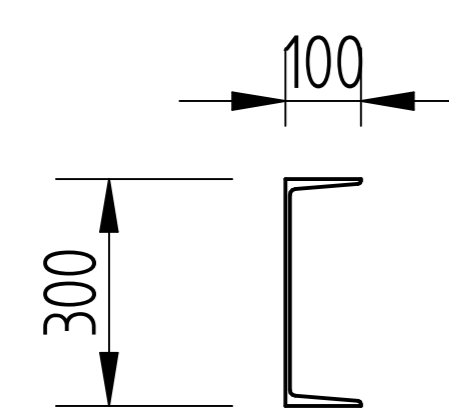
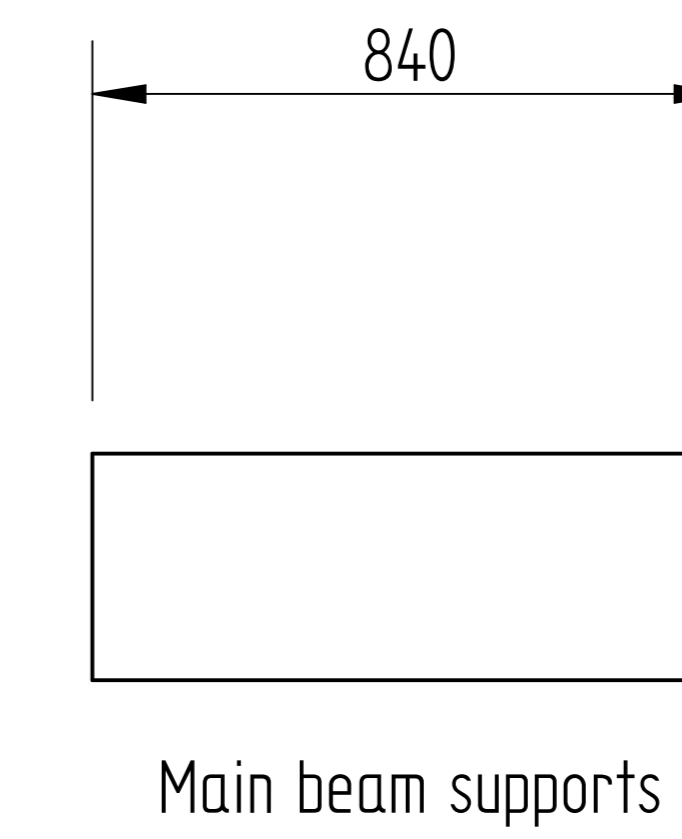
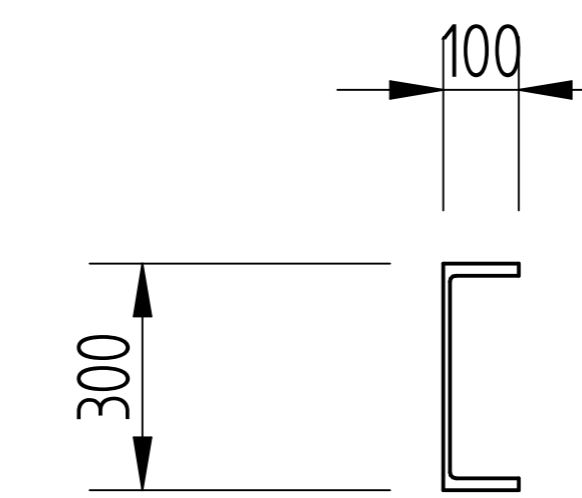
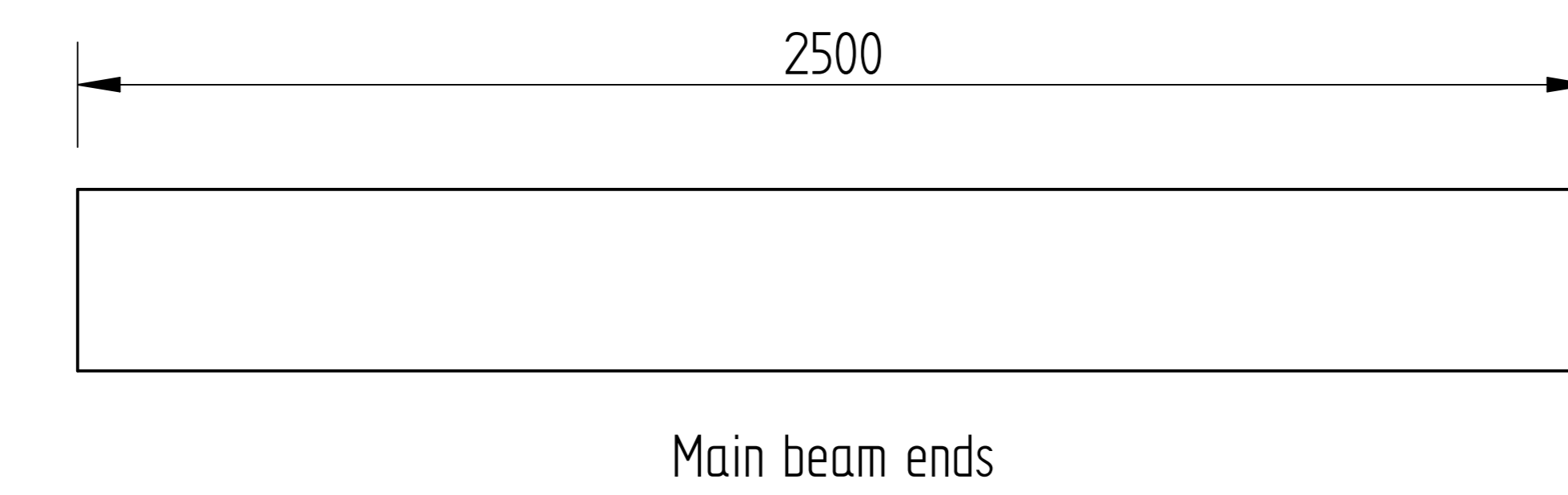
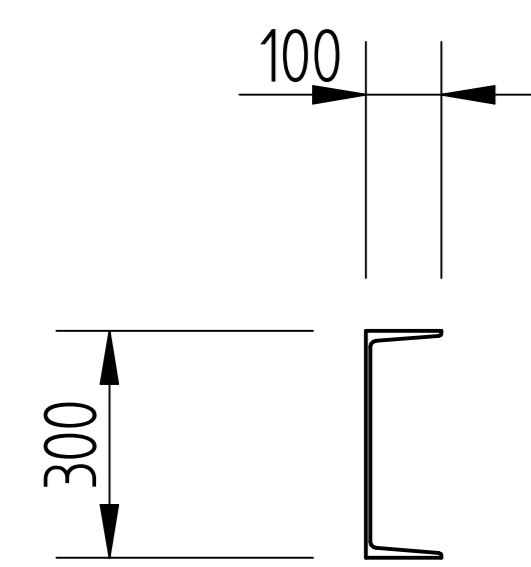
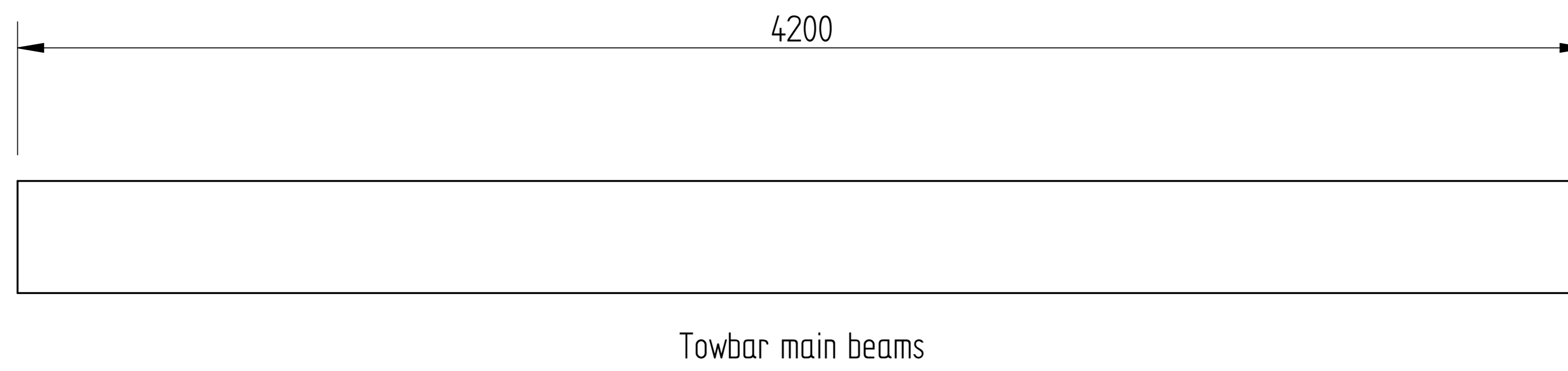
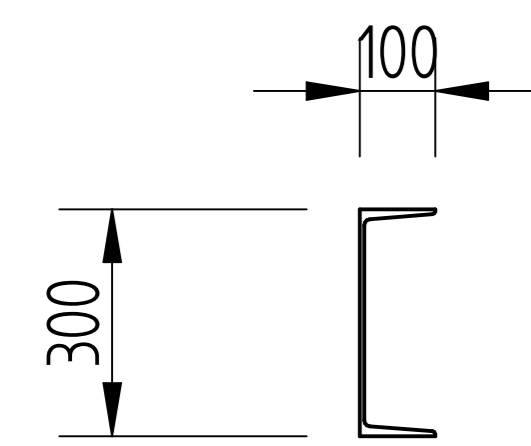
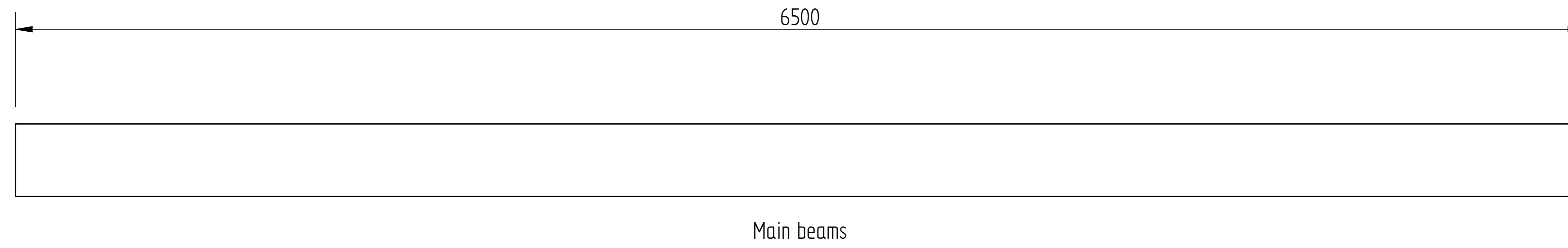
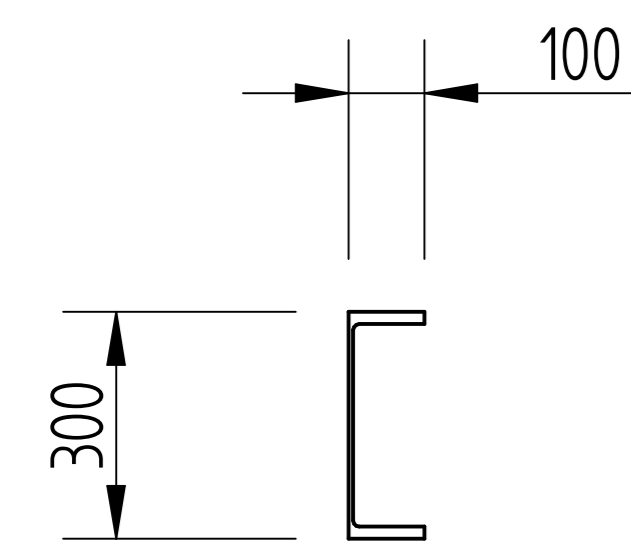
Item Number	Document Number	Title	Comments	Quantity
1	1440-CC-001	Derrick chassis end plate	6mm plate	4
2	1440-CC-002	Main beam end plates	16mm plate	4
3	1440-CC-004	Drawbar support	Channel 127x64	2
4	1440-CC-005	Hyd/derrick support ends	6mm plate	1
5	1440-CC-006	Towbar gusset plate	16mm plate	4
6	1440-CC-007	Landing legs gussets	16mm plate	40
7	1440-CC-008	Tow hook	32mm plate	1
8	1440-CC-010	Toolbox lid	6mm plate	1
9	1440-CC-011	Tow hook gusset	16mm plate	4
10	1440-CC-012	Tank beam end plates	16mm plate	4
11	1440-CC-013	Main beams	Channel 300x100	2
12	1440-CC-014	Main beam supports	Channel 300x100	4
13	1440-CC-015	Main beam ends	Channel 300x100	4
14	1440-CC-016	Hydraulic/derrick supports	Channel 300x100	8
15	1440-CC-016	Landing leg mounting bracket	Channel 300x100	4
16	1440-CC-017	Tow hook mounting plate	16mm plate	1
17	1440-CC-018	Towbar main beams	Channel 300x100	2
18	1440-CC-019	Tow hook mounting gusset	16mm plate	4
19	1440-CC-020	Toolbox frame	Angle 50x50x5	1
20	1440-CC-021	Toolbox frame	Angle 50x50x5	1
21	1440-CC-022	Toolbox frame	Angle 50x50x5	1
22	1440-CC-023	Tank sub frame support	Angle 50x50x5	2
23	1440-CC-024	Bean pump supports	Channel 180x70	1
24	1440-CC-025	Bean pump supports	Channel 180x70	1
25	1440-CC-026	Hydraulic tank sub frames	Channel 300x100	2
26	1440-CC-027	Tow bar mounting plate	16mm plate	1
27	1440-CC-028	Cylinder gusset	16mm plate	4
28	1440-CC-029	Step	Channel 100x50	2
29	1440-CS-001	Toolbox handel	16mm roundbar	2

NAME	DATE	TITLE
DRAWN: A. DAVEY	01/28/10	EQUAL CHANCE TRADING 50
CHECKED:		
ENG APPR:		
MGR APPR:		
UNLESS OTHERWISE SPECIFIED: DIMENSIONS ARE IN MILLIMETERS		SIZE: DWG NO: 1440-CC-000 REV: A
ANGLES: ±0.1°		FILE NAME: Chassis Frame.dwg
2 PL ±0.02	3 PL ±0.005	SCALE: WEIGHT: SHEET 1 OF 5

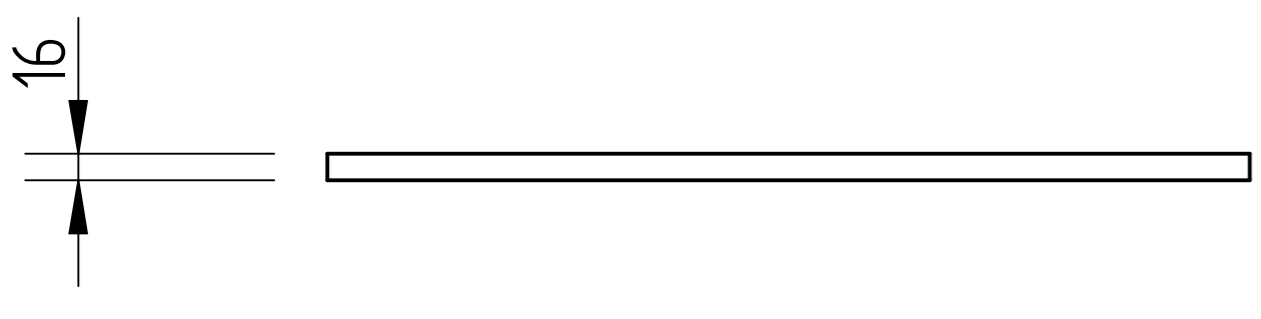
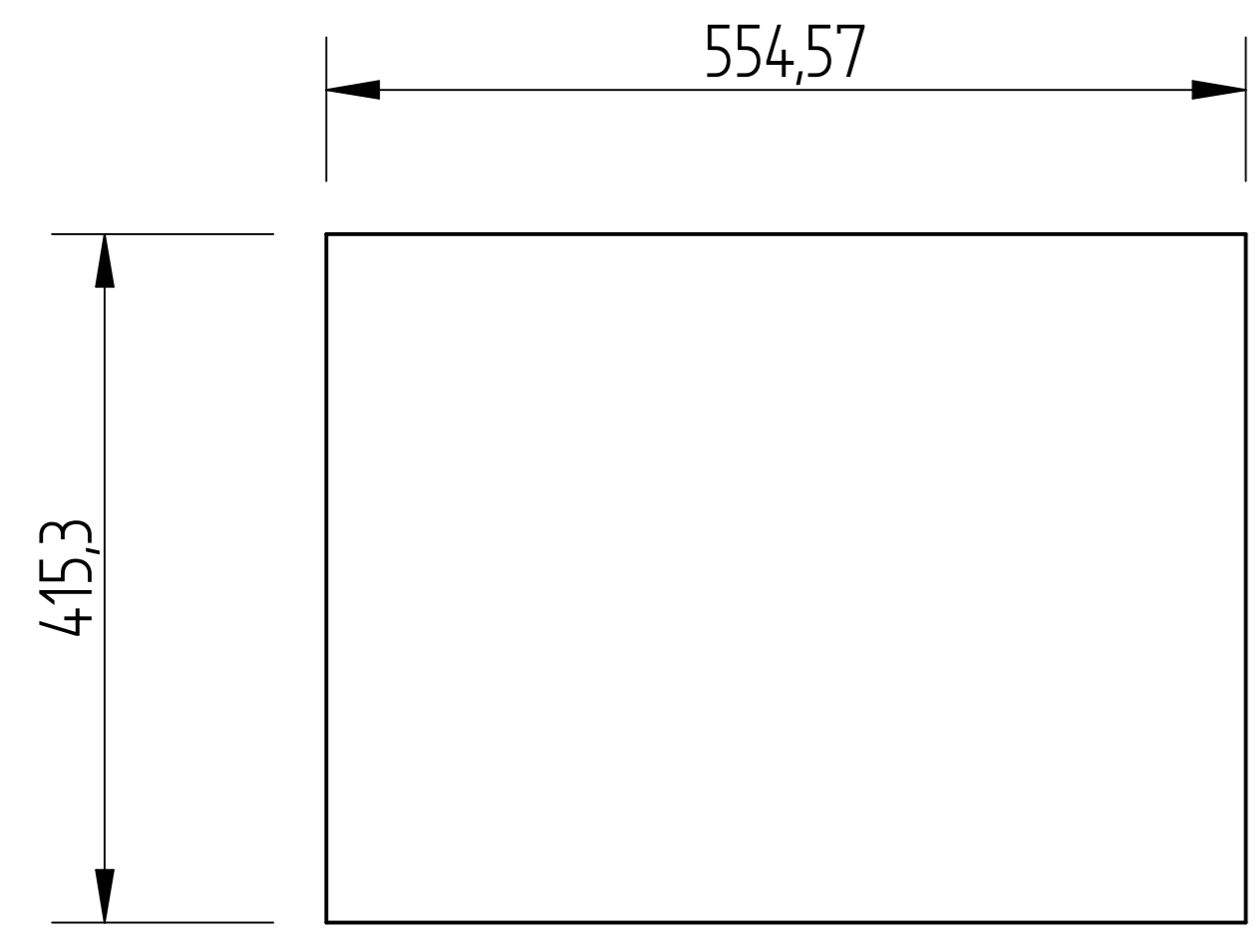


Chassis Frame

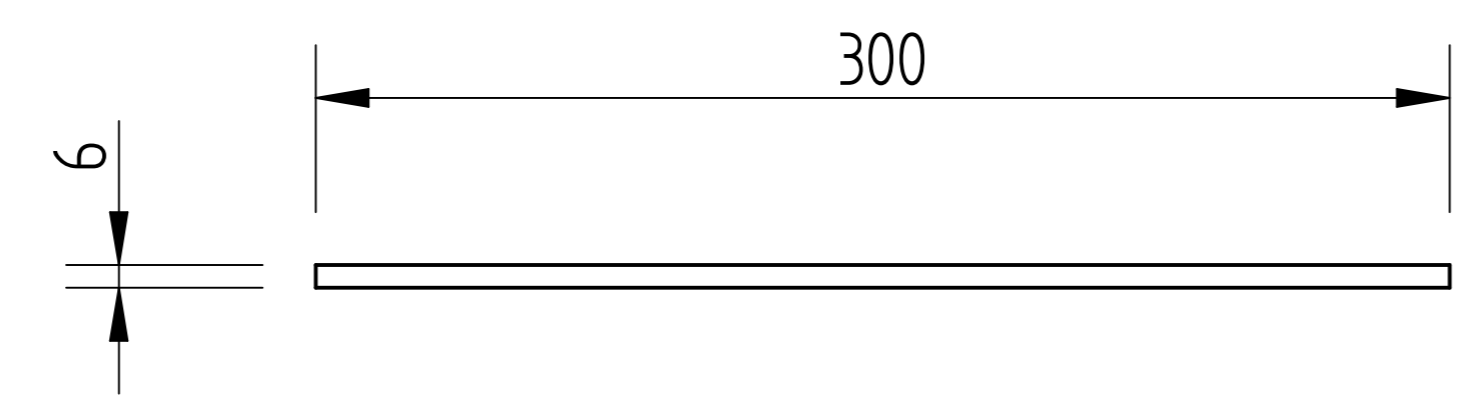
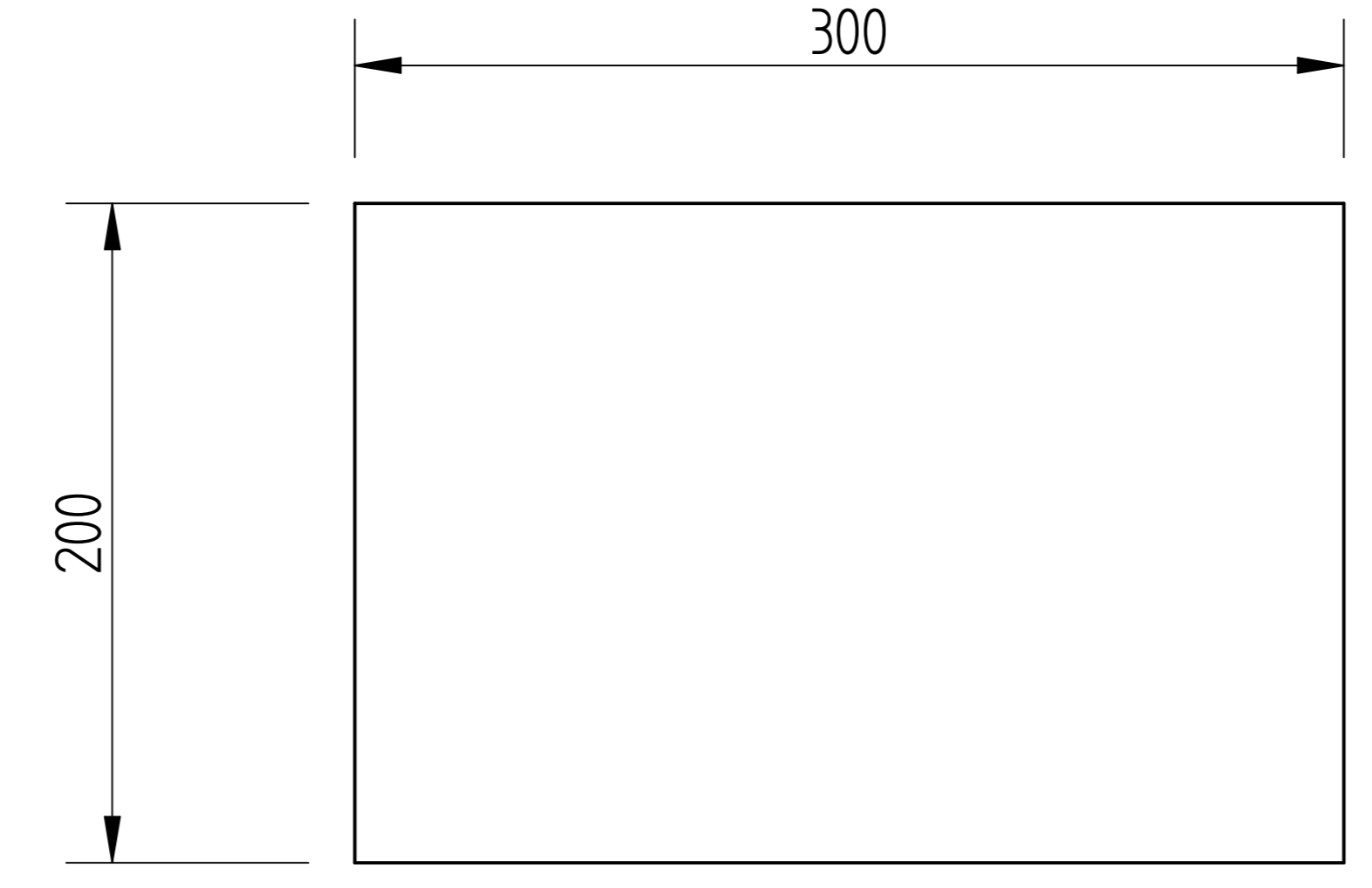
NAME	DATE	TITLE
DRAWN: A.J.Davey	01/28/13	EQUAL CHANCE TRADING 50
CHECKED:		
ENG APPR:		
MGR APPR:		
UNLESS OTHERWISE SPECIFIED: DIMENSIONS ARE IN MILLIMETERS ANGLES = 0.1°		SIZE: DWG NO: 1440-CC-000 REV: A
2 PL ±0.02 3 PL ±0.005		FILE NAME: Chassis Frame.dwg SCALE: WEIGHT: SHEET 2 OF 5



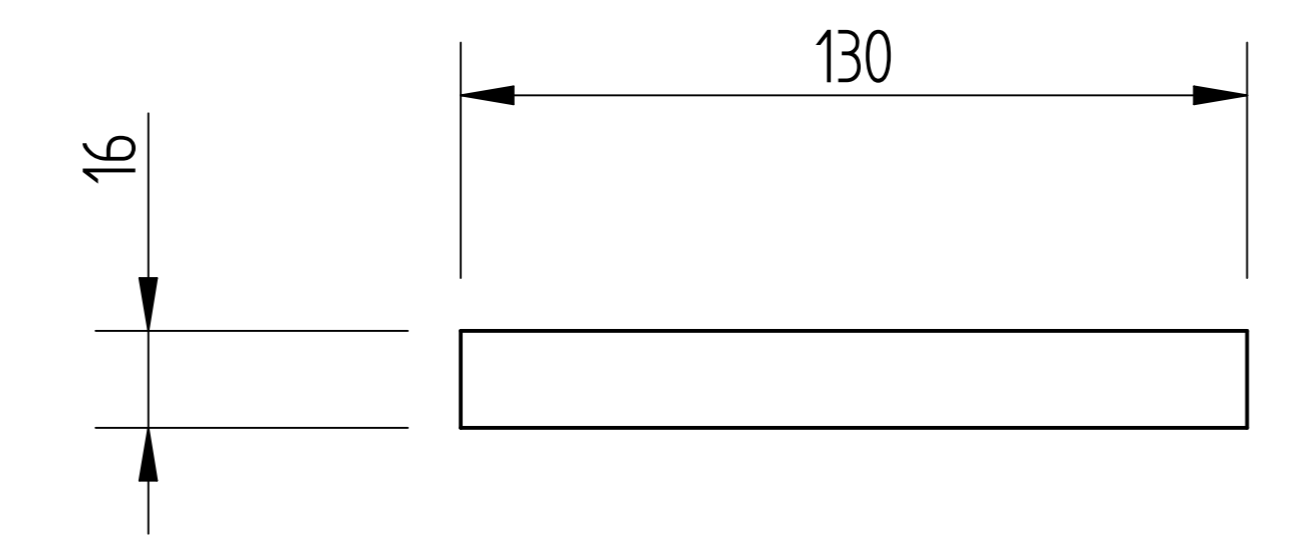
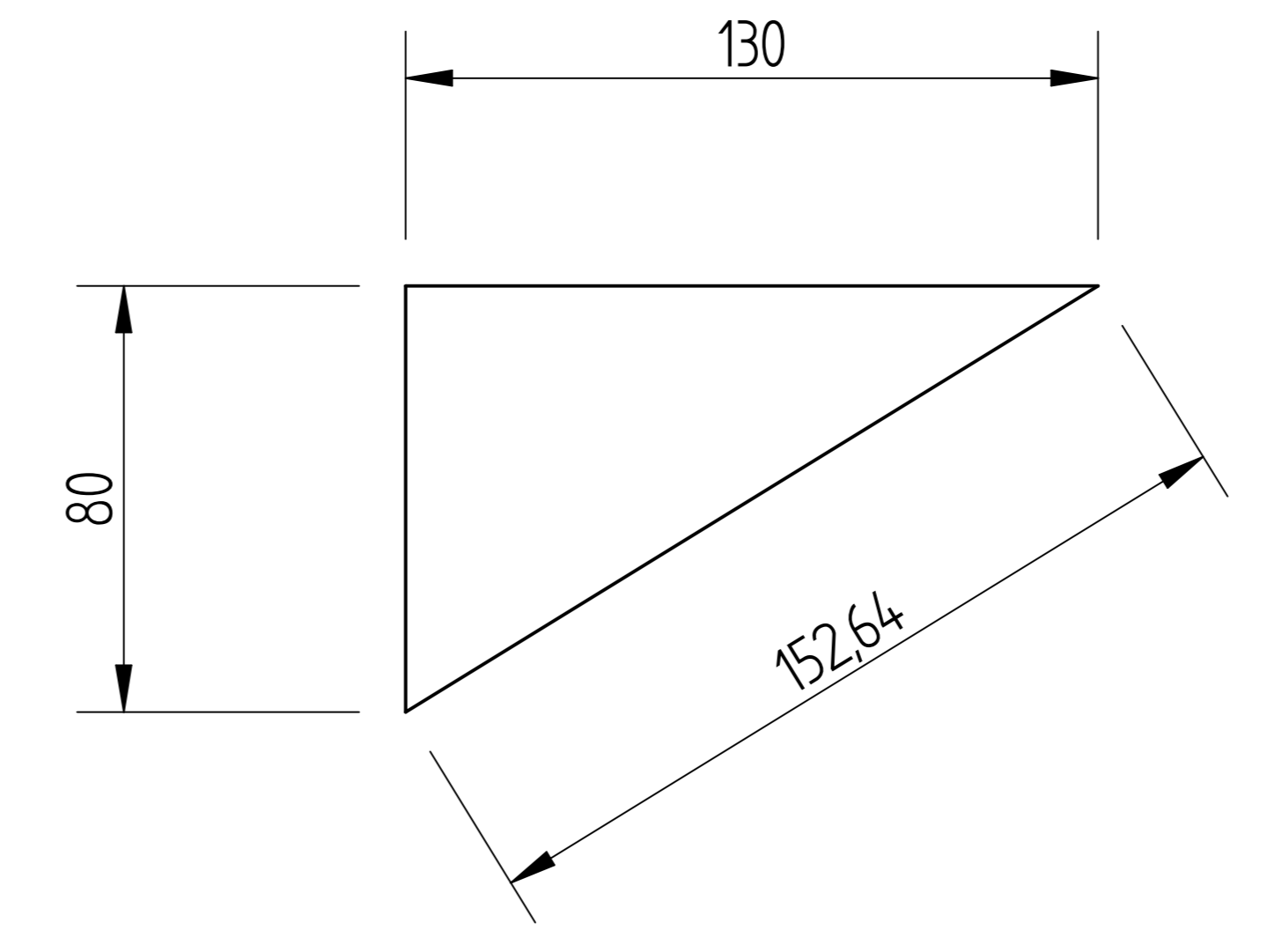
NAME	DATE	TITLE
DRAWN: A. Devey	01/28/13	EQUAL CHANCE TRADING 50
CHECKED:		TITLE: Chassis Frame 1440
ENG APPR:		SIZE: DWG NO: 1440-CC-000 REV: A
MGR APPR:		FILE NAME: Chassis Frame.dwg
UNLESS OTHERWISE SPECIFIED: DIMENSIONS ARE IN MILLIMETERS		SCALE: WEIGHT: SHEET 3 OF 5
ANGLES = 0.1°		
2 PL = 0.02 3 PL = 0.005		



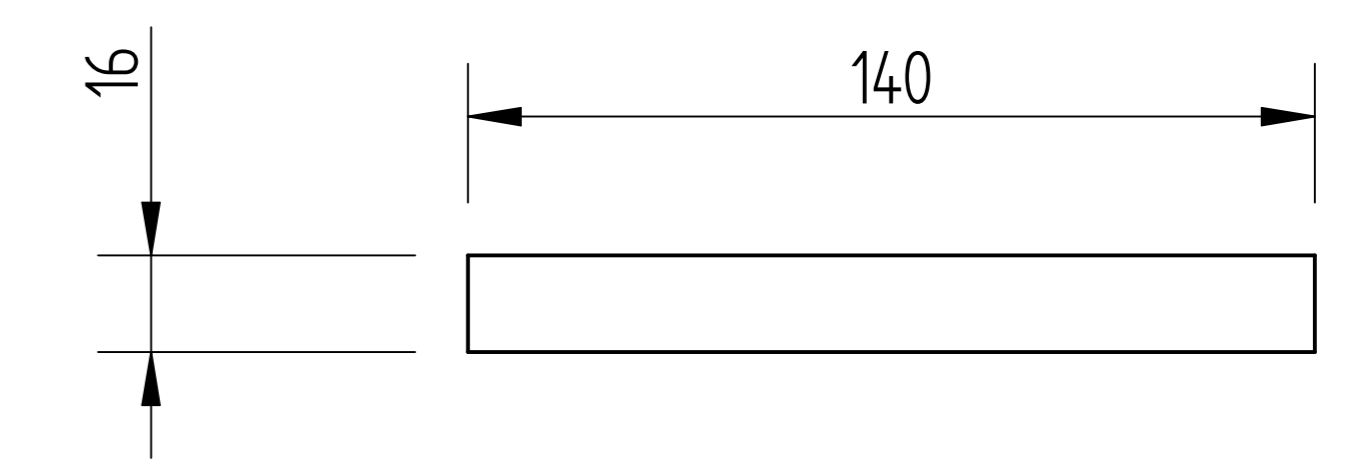
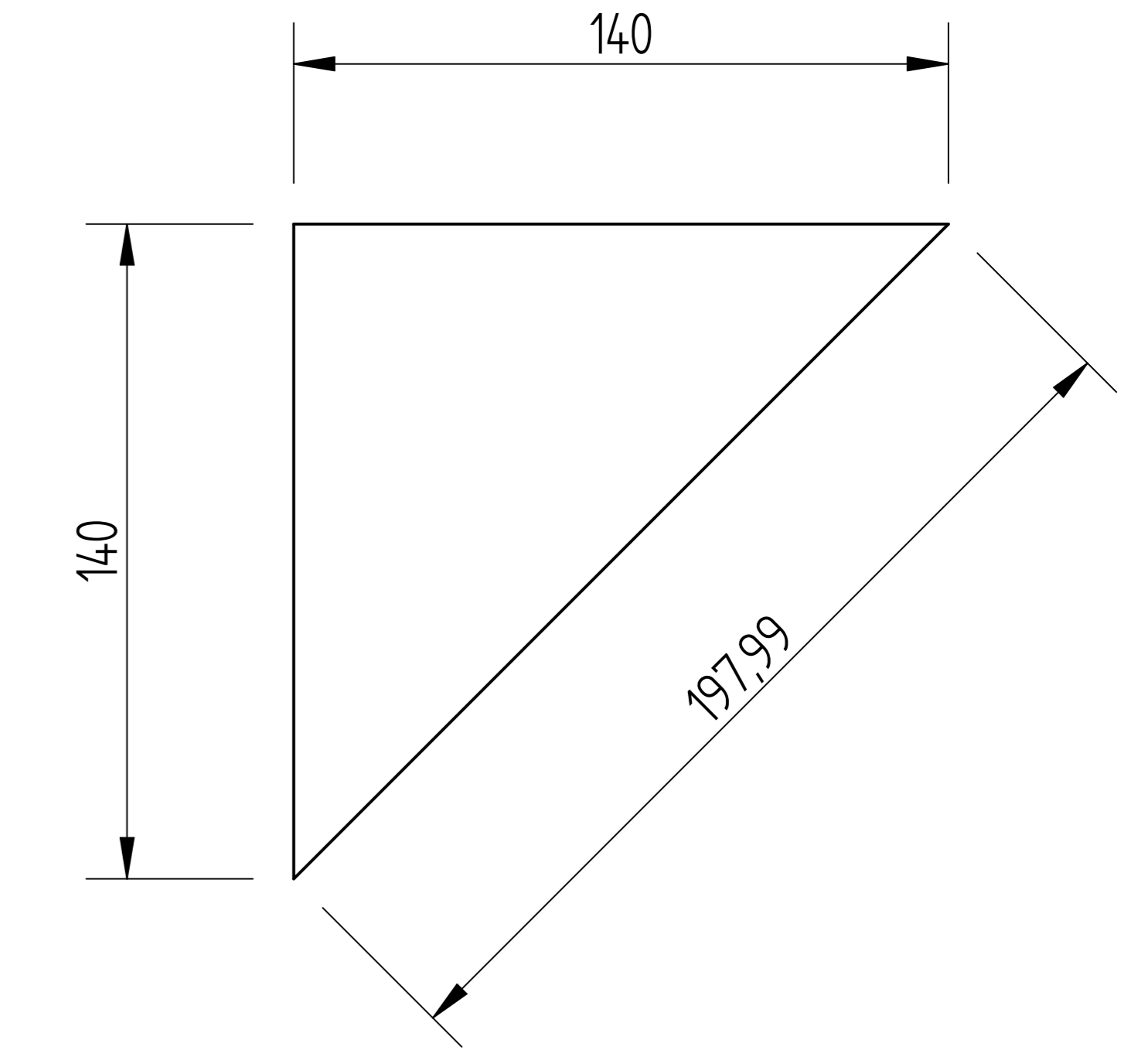
Main beam end plates



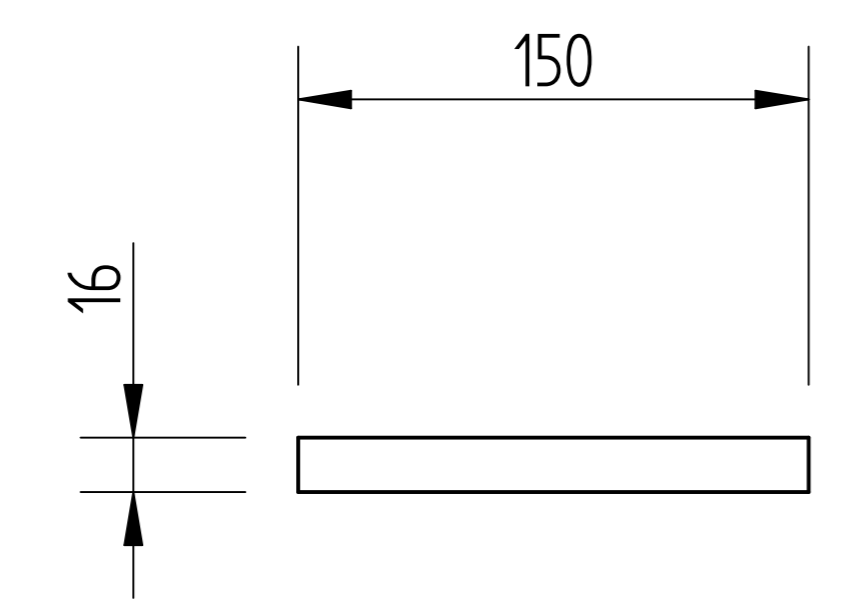
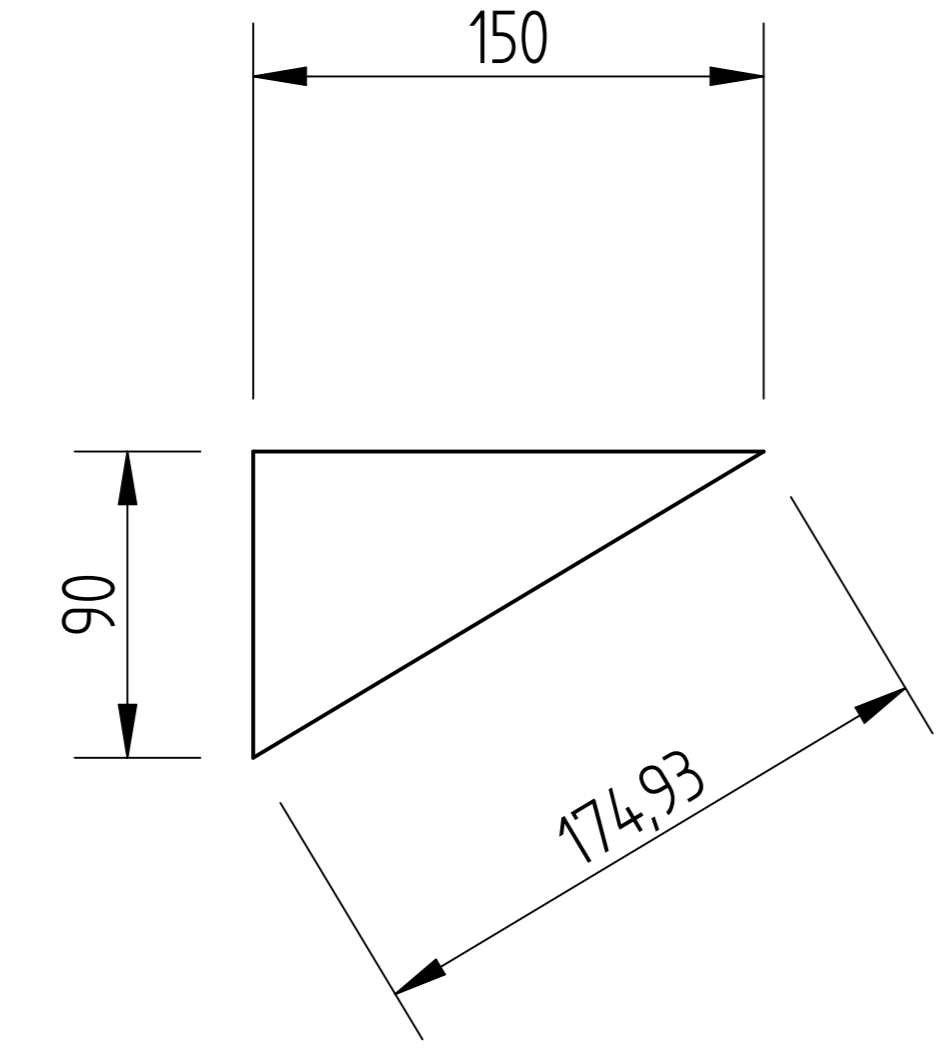
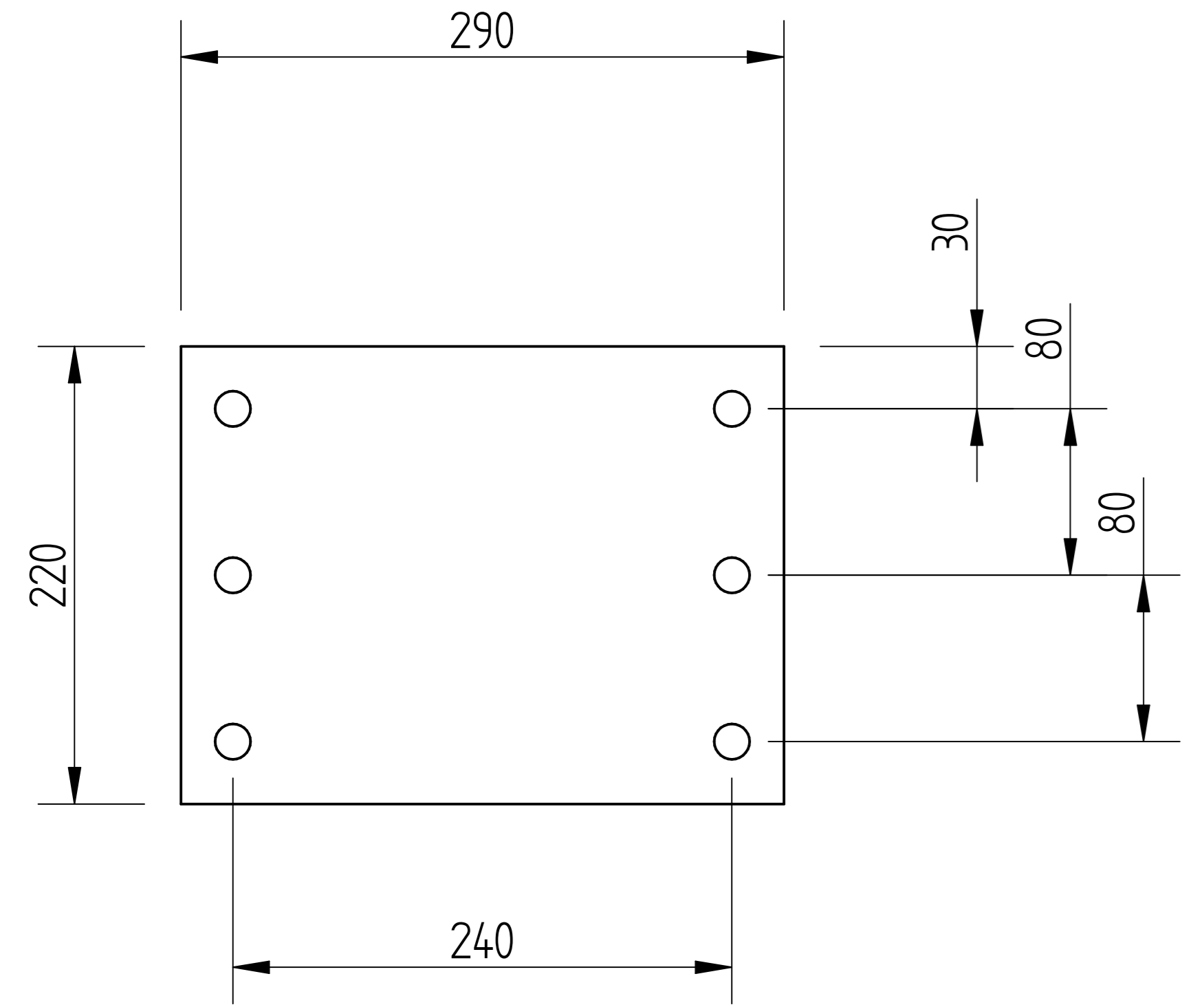
Derrick chassis end plate



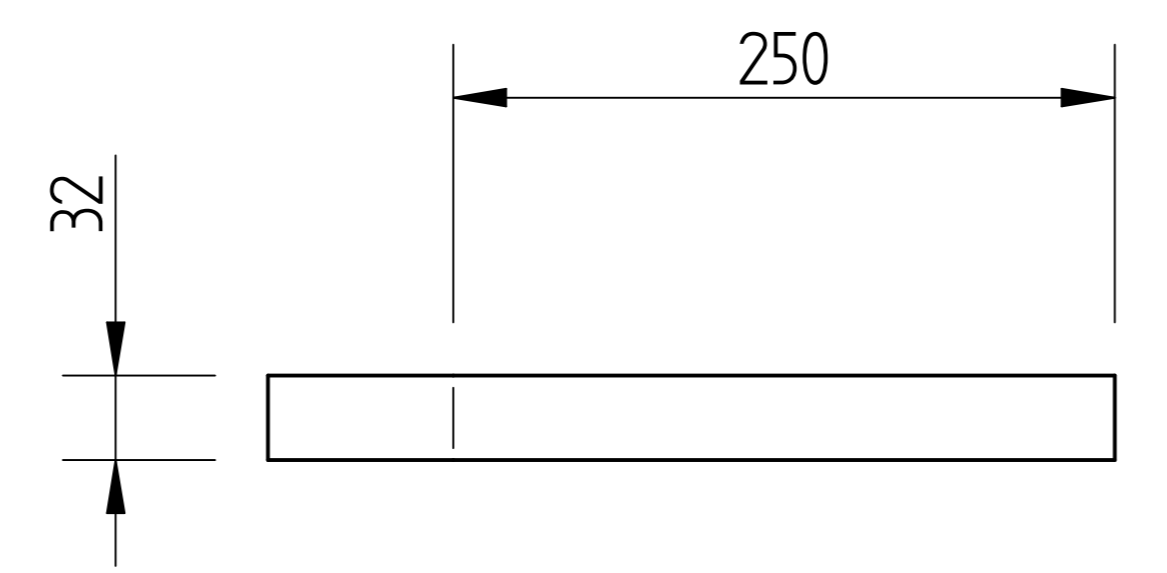
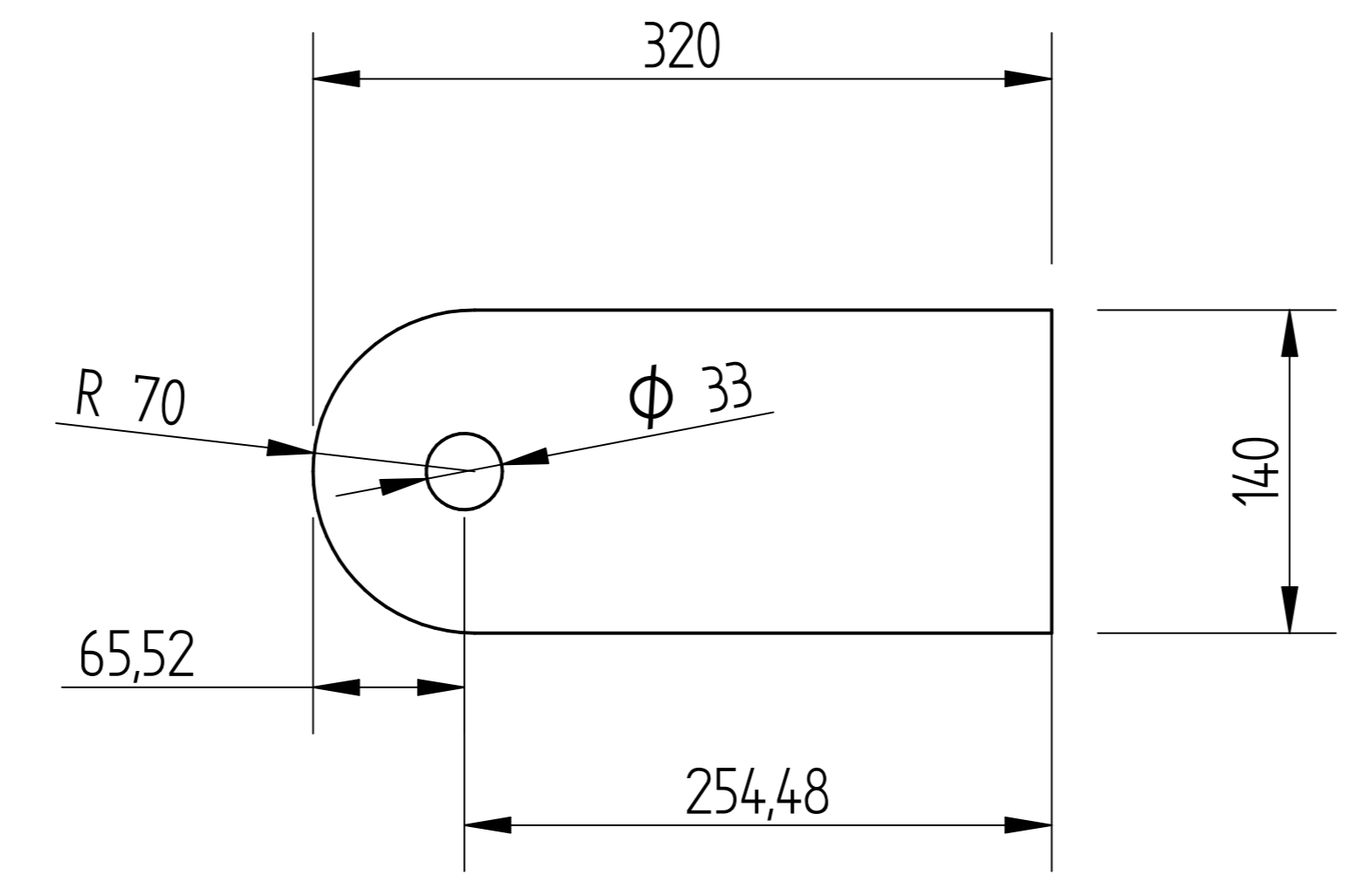
Landing Legs gussets



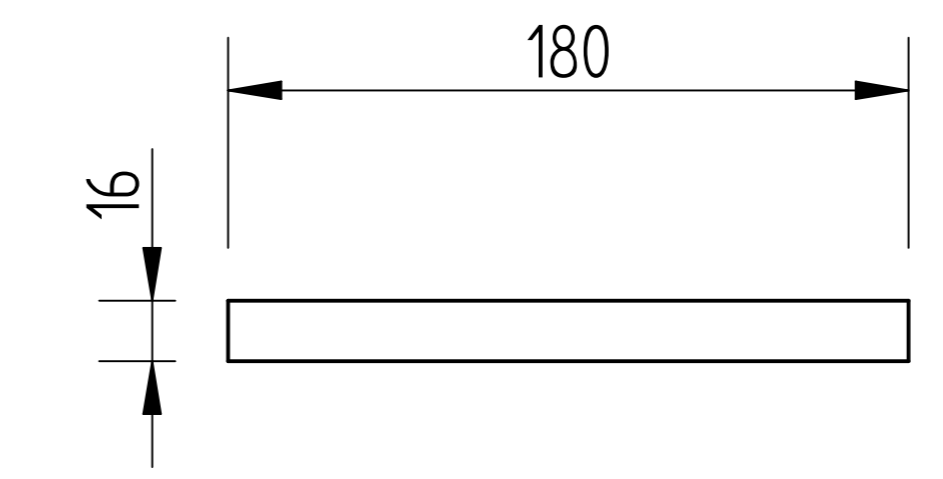
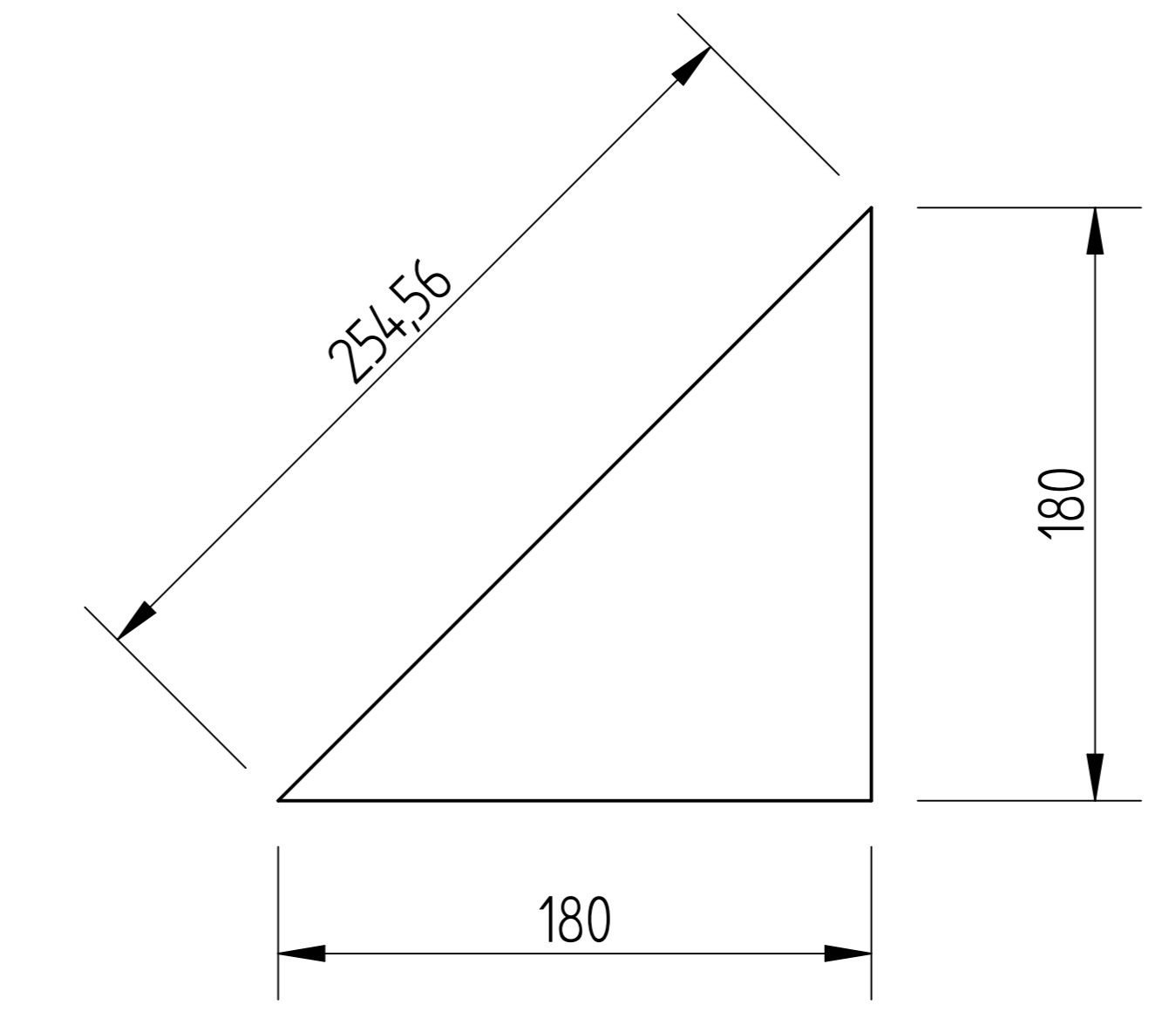
Tow hook mounting gusset



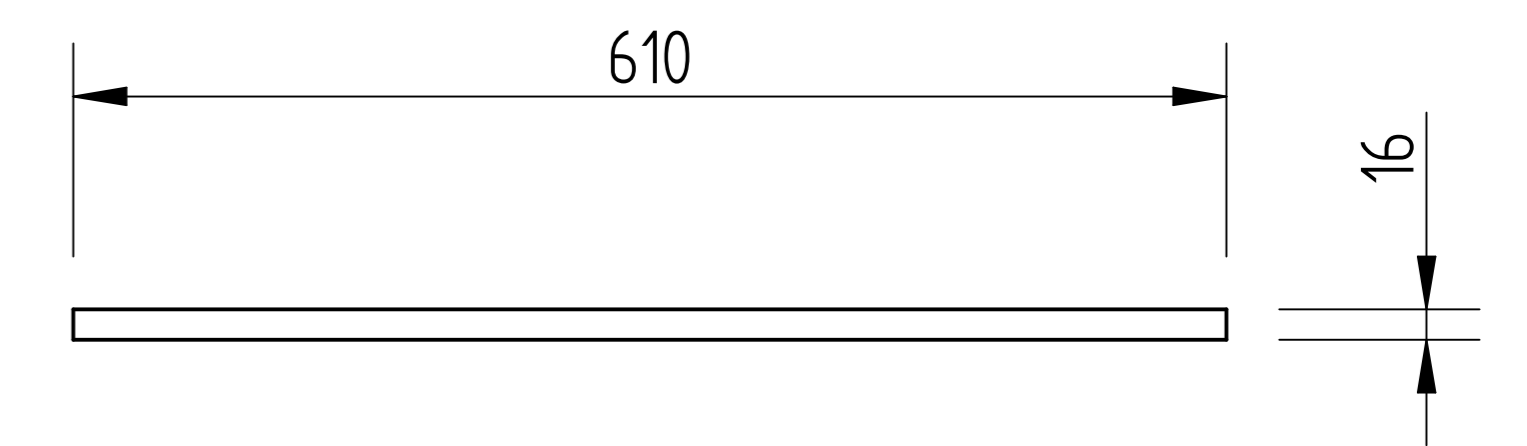
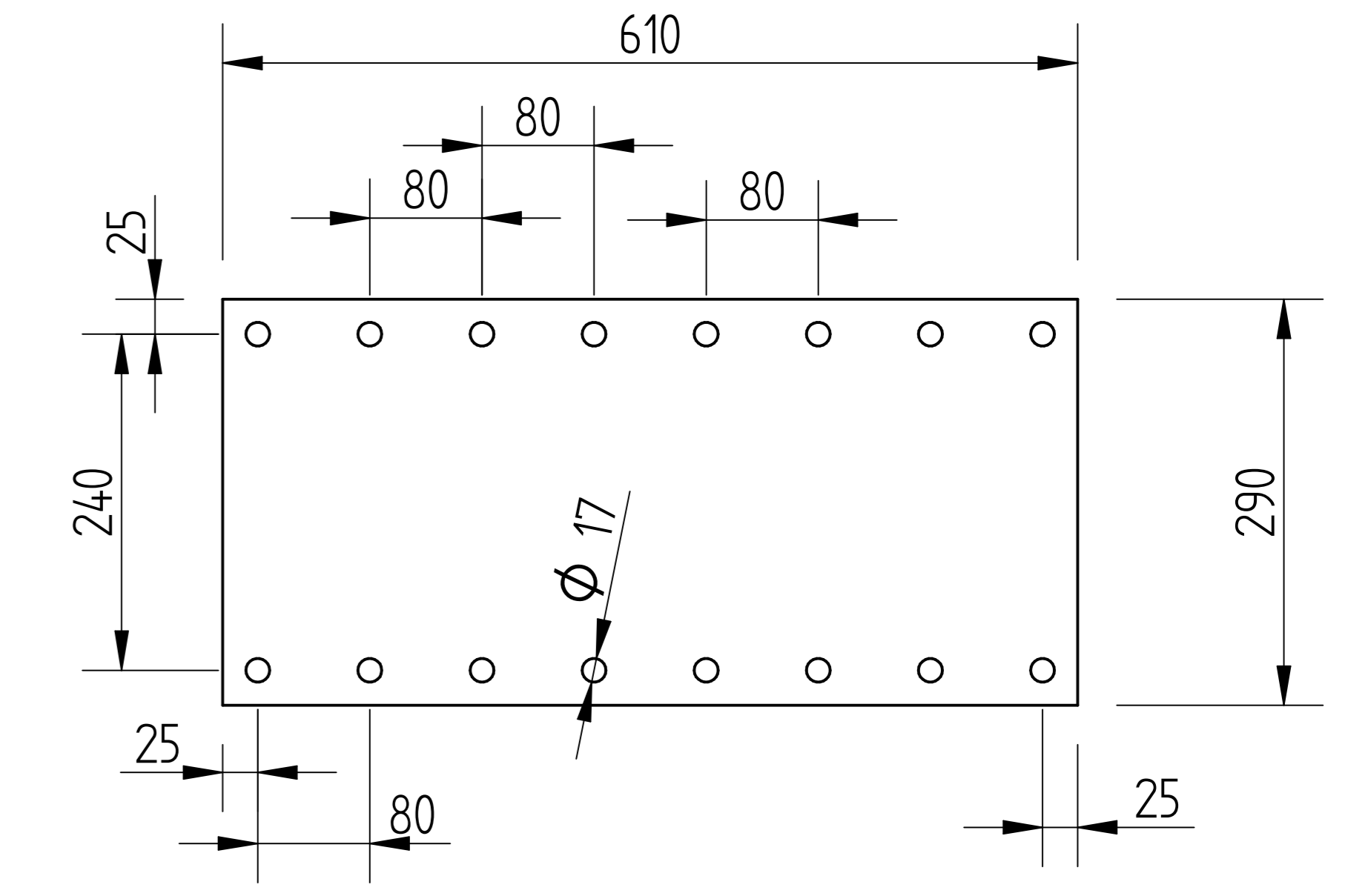
Tow hook gusset



Tow hook



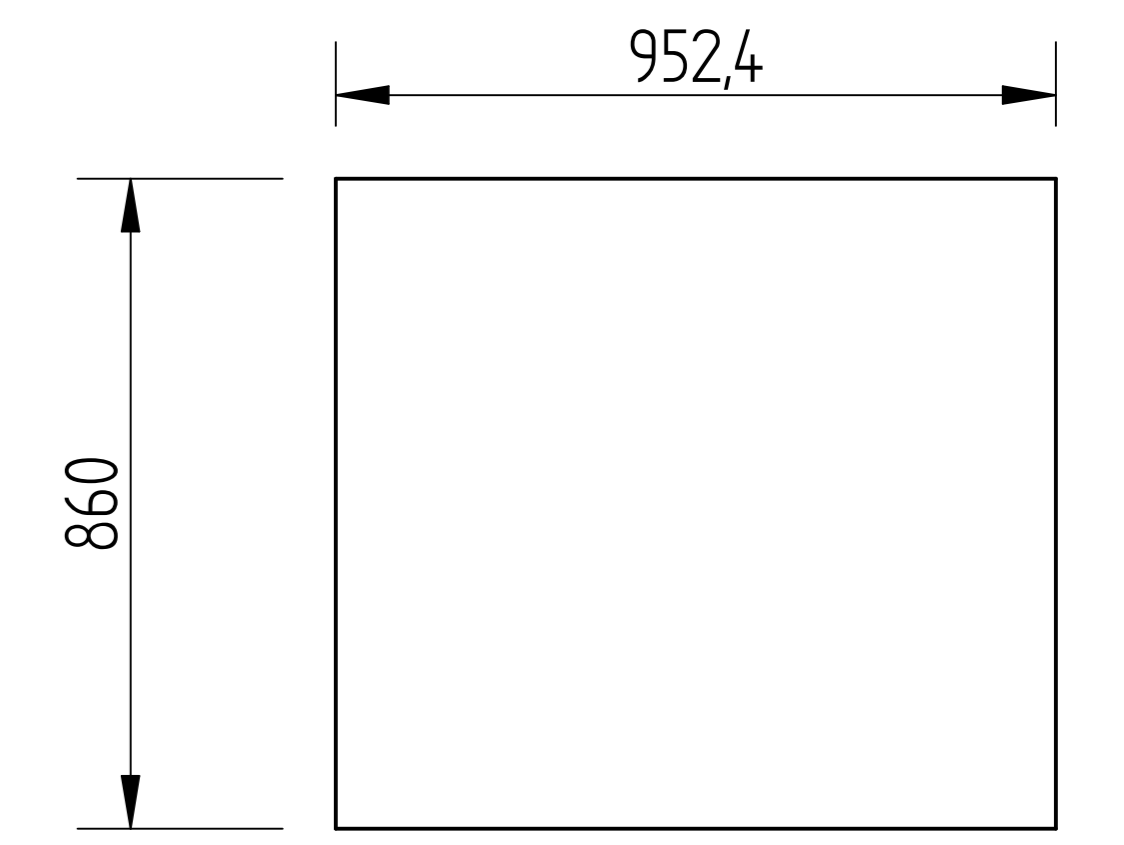
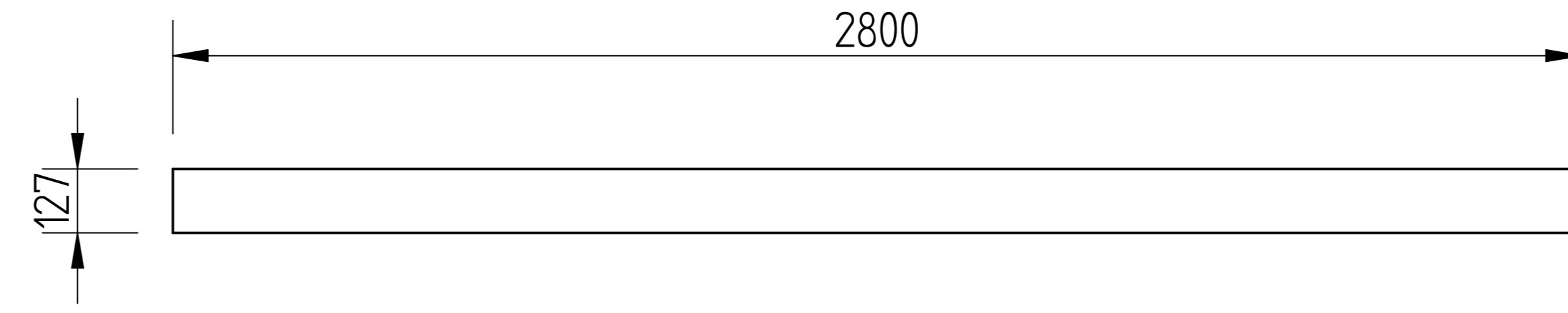
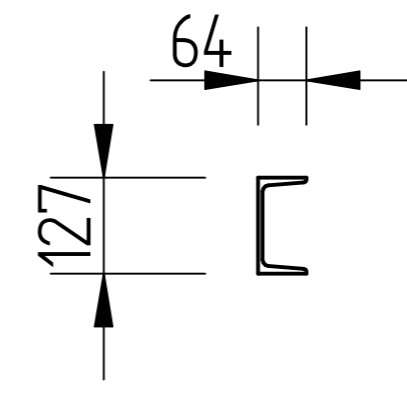
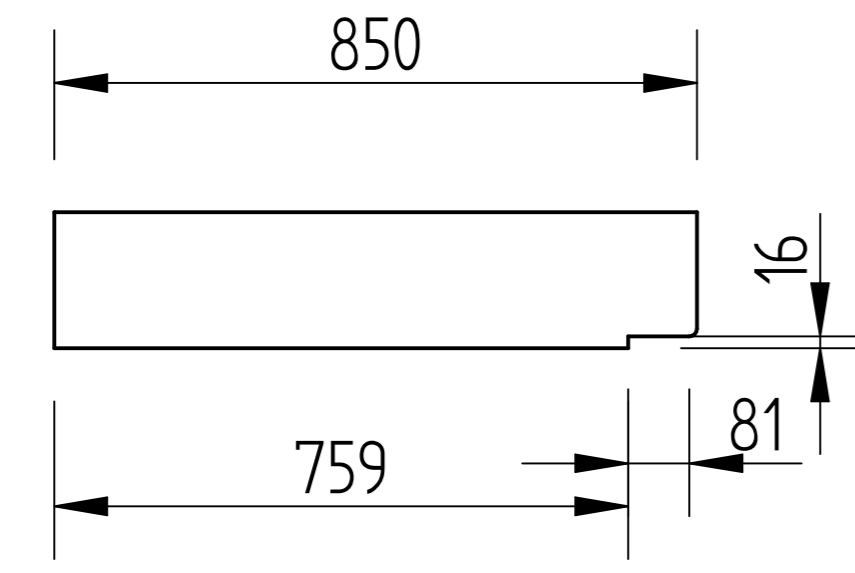
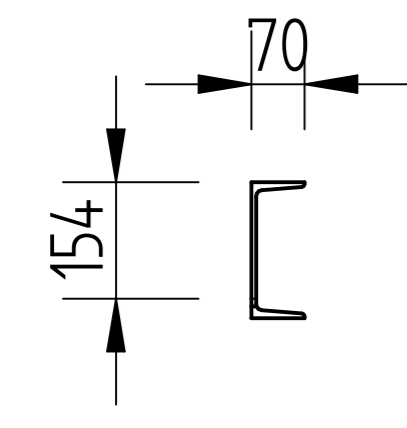
Towbar gusset plate



Tow hook mounting plate

Tow bar mounting plate

NAME	DATE	EQUAL CHANCE TRADING 50	
DRAWN: A.J. Davey	01/28/13	TITLE	Chassis Frame 1440
CHECKED:		SIZE: DWG NO	REV
ENG APPR:		A2	1440-CC-000
MGR APPR:		FILE NAME	Chassis Frame.dwg
UNLESS OTHERWISE SPECIFIED		SCALE	WEIGHT
DIMENSIONS ARE IN MILLIMETERS		2 PL ±0.02	3 PL ±0.005
ANGLES ±0.1°		SHEET 4 OF 5	

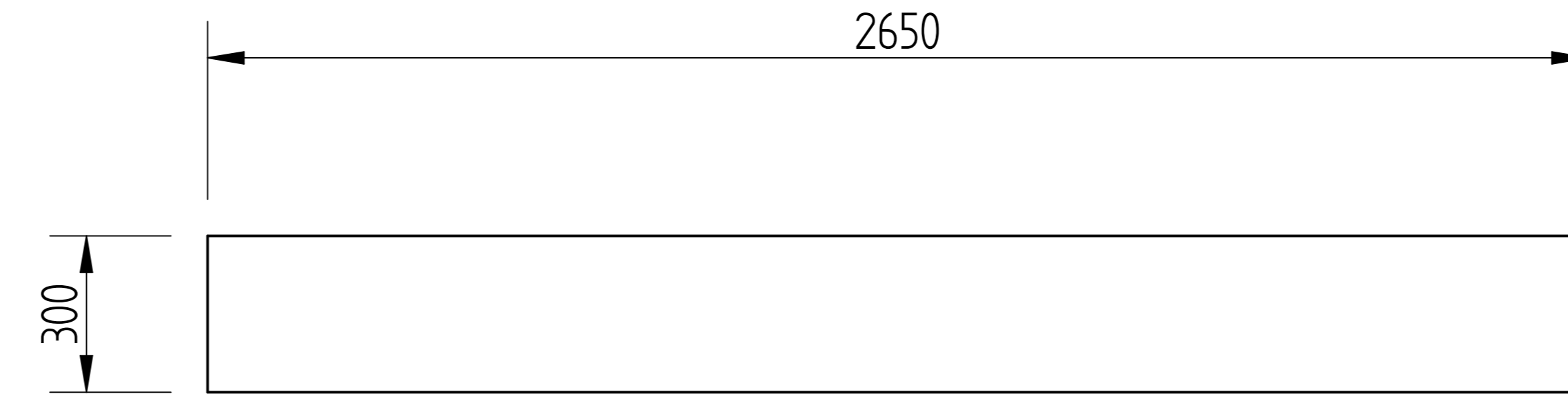
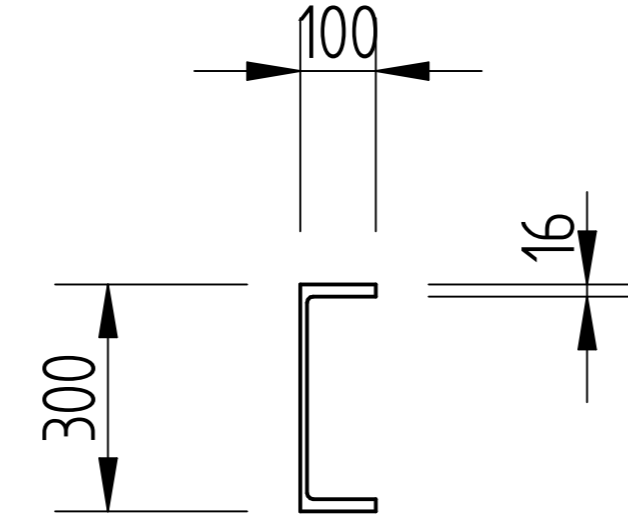
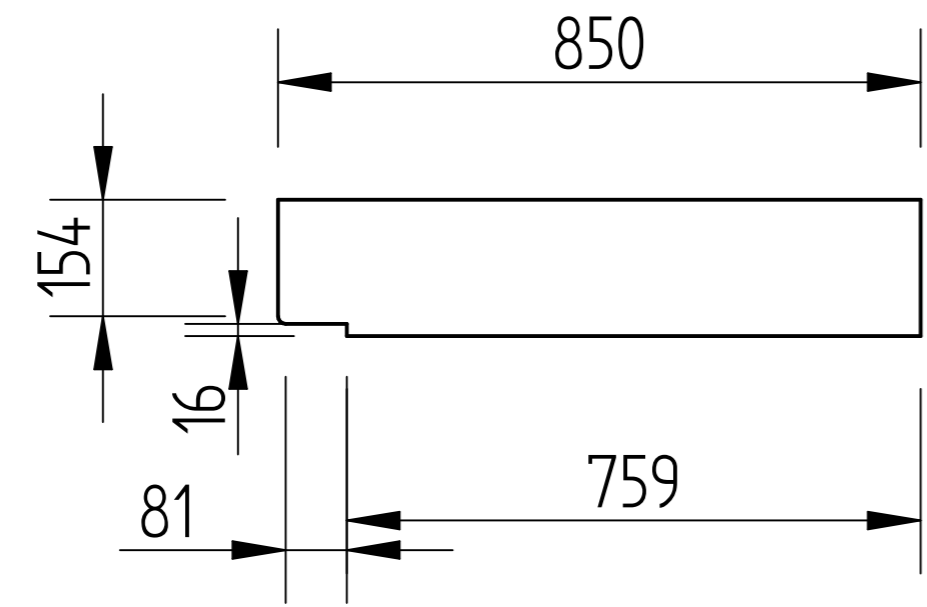
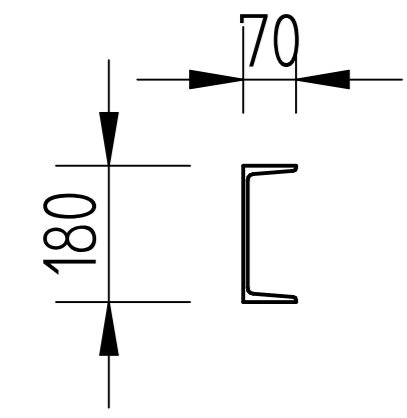


Bean pump supports

Drawbar support

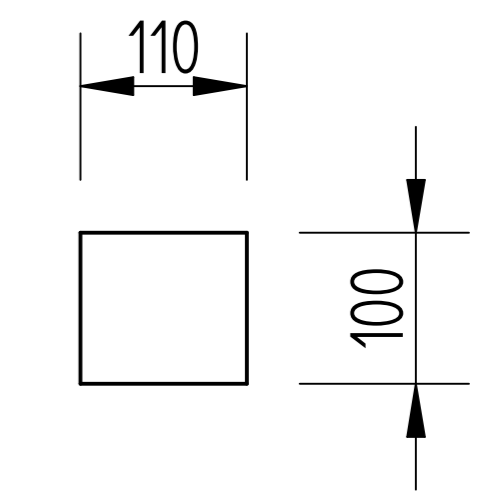
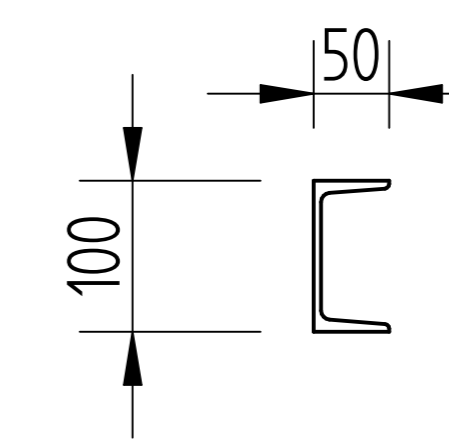
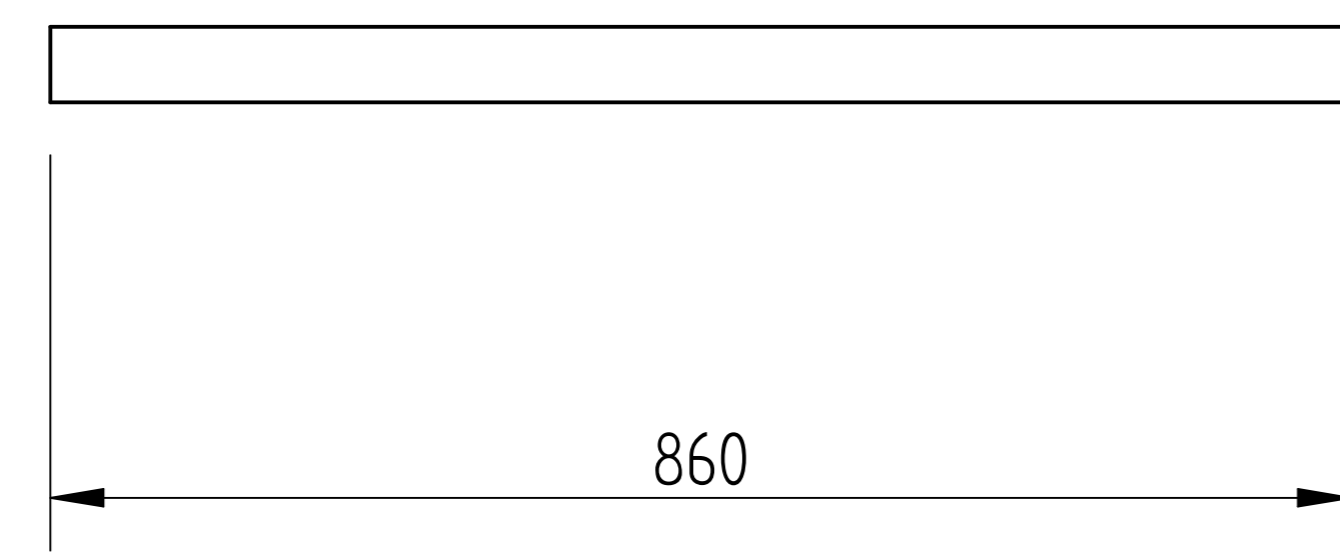
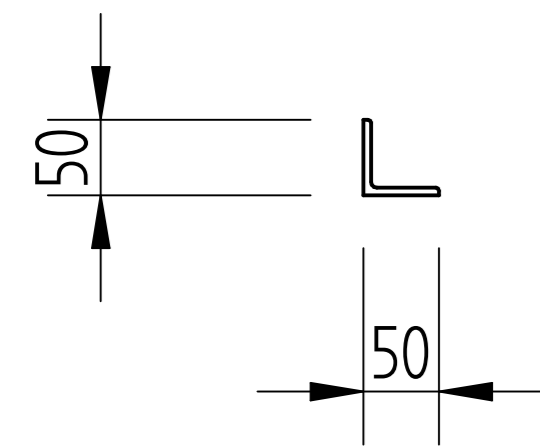


Toolbox Lid

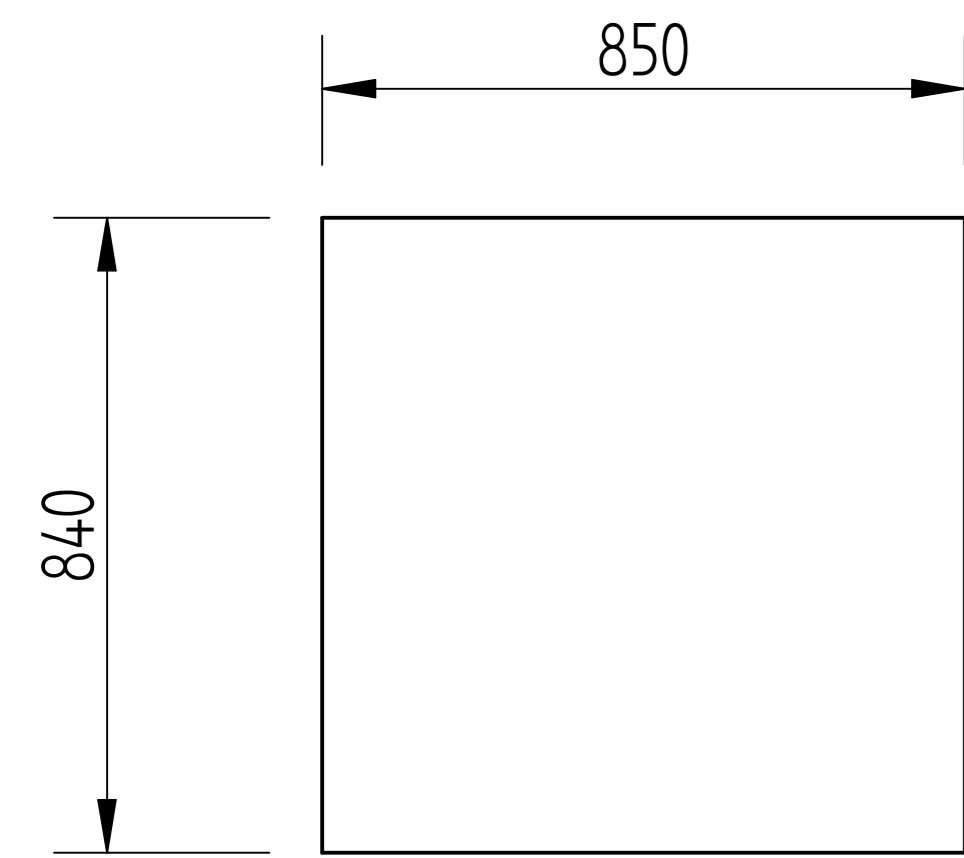


Bean pump supports

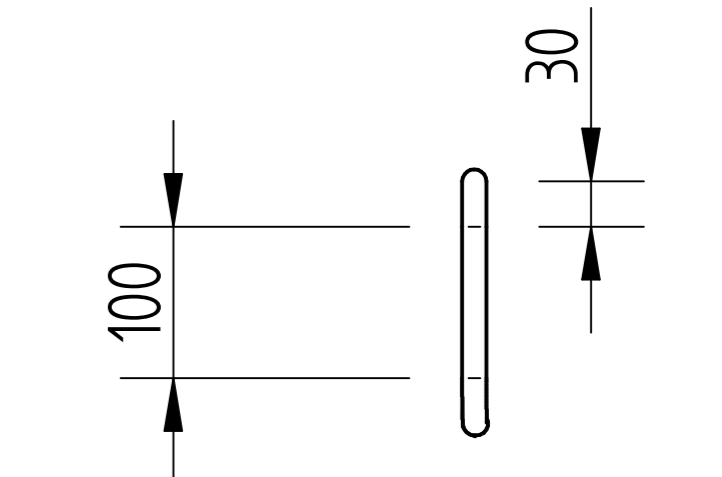
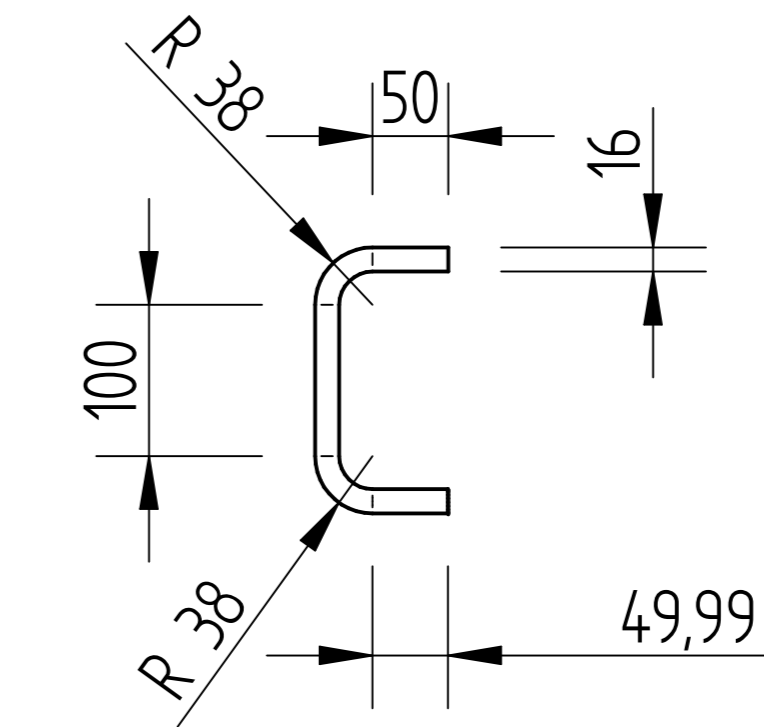
Hydraulic tank sub frames



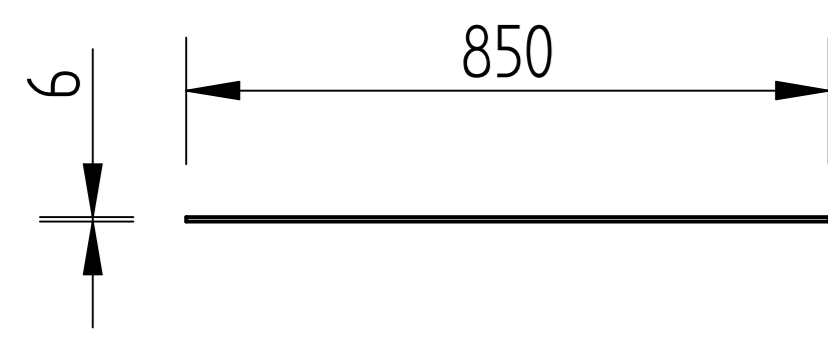
Step



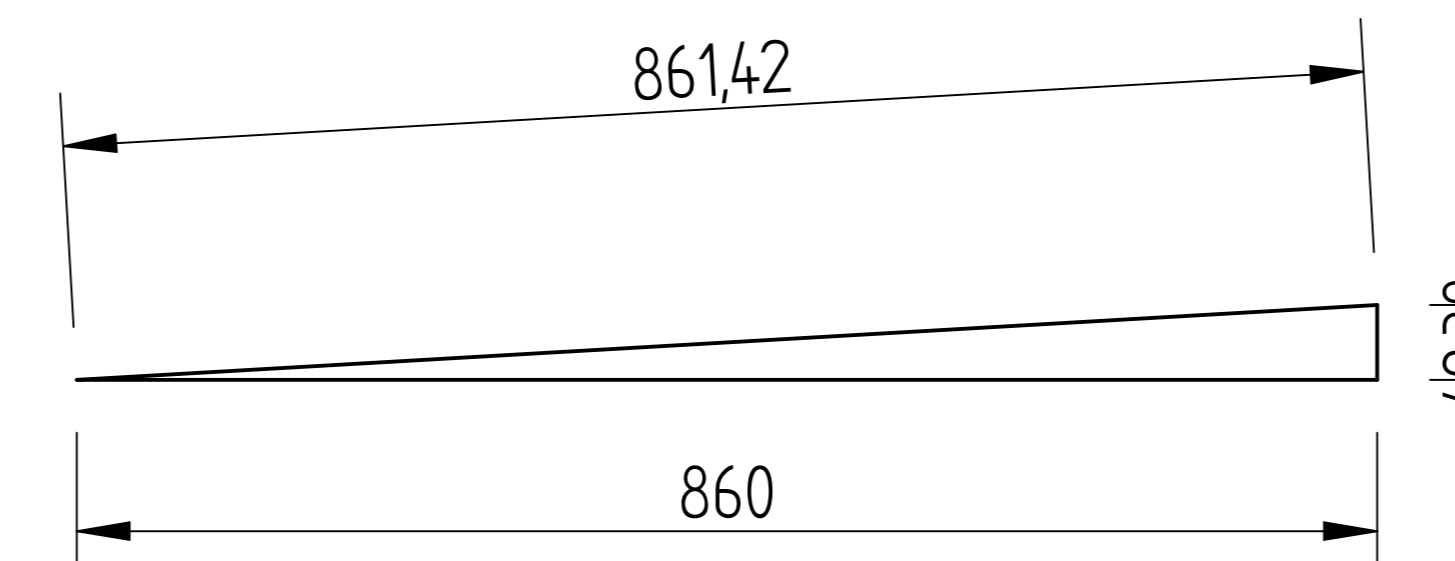
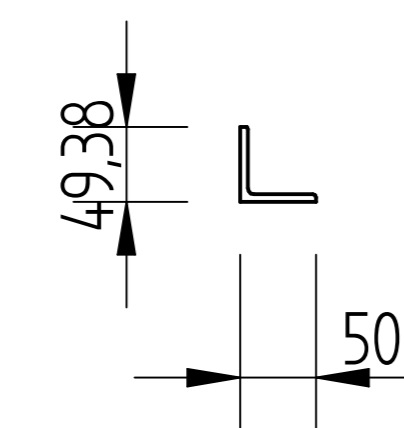
Toolbox frame



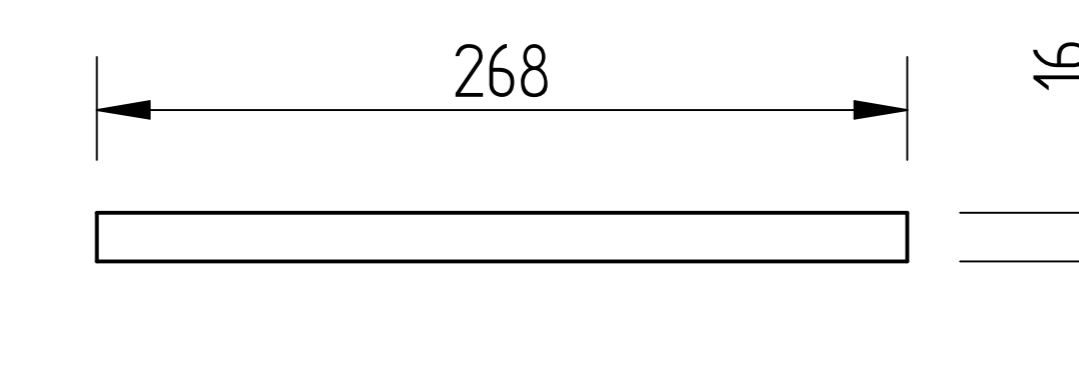
Toolbox handel



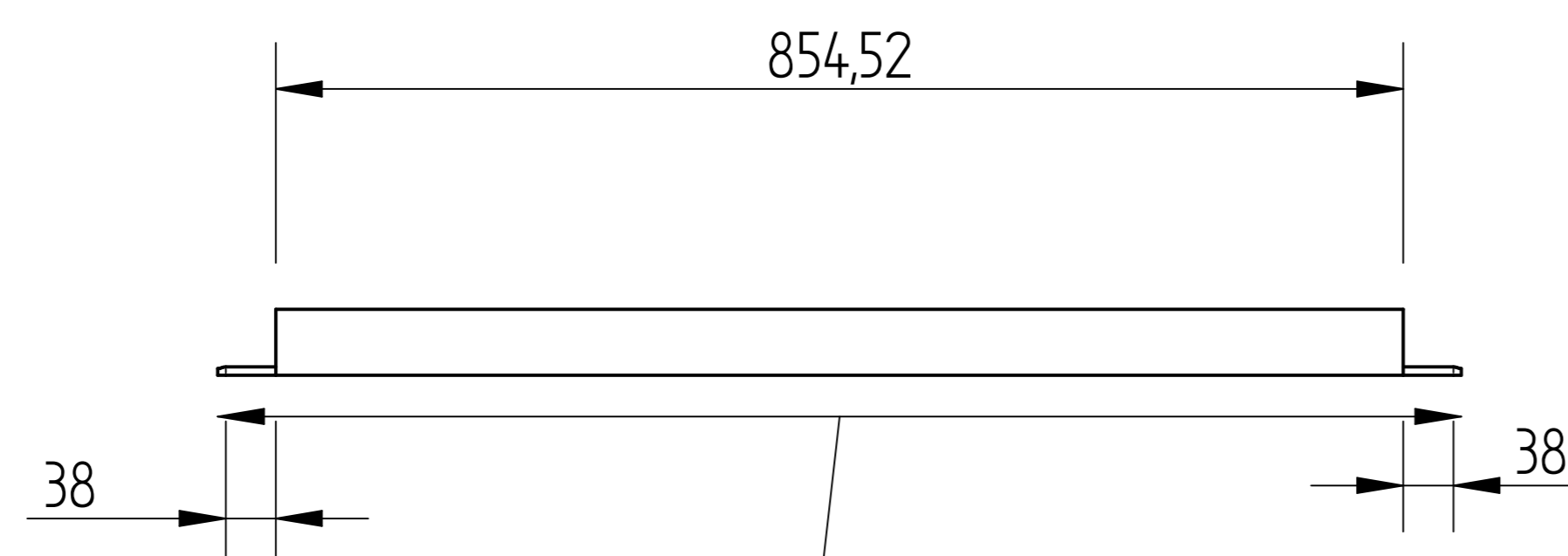
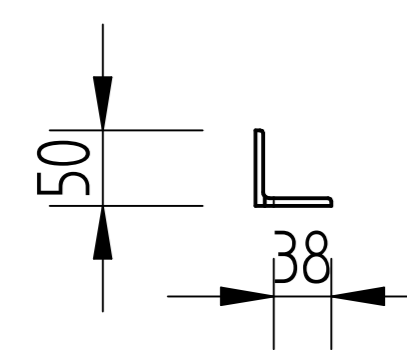
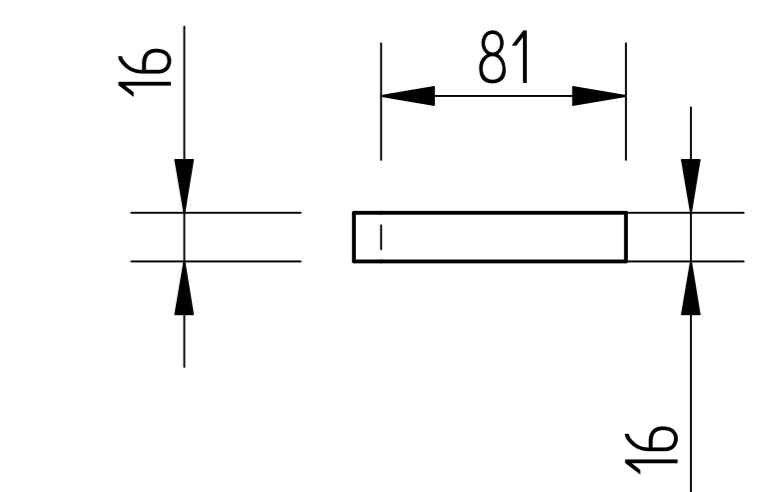
Hyd/derrick support ends



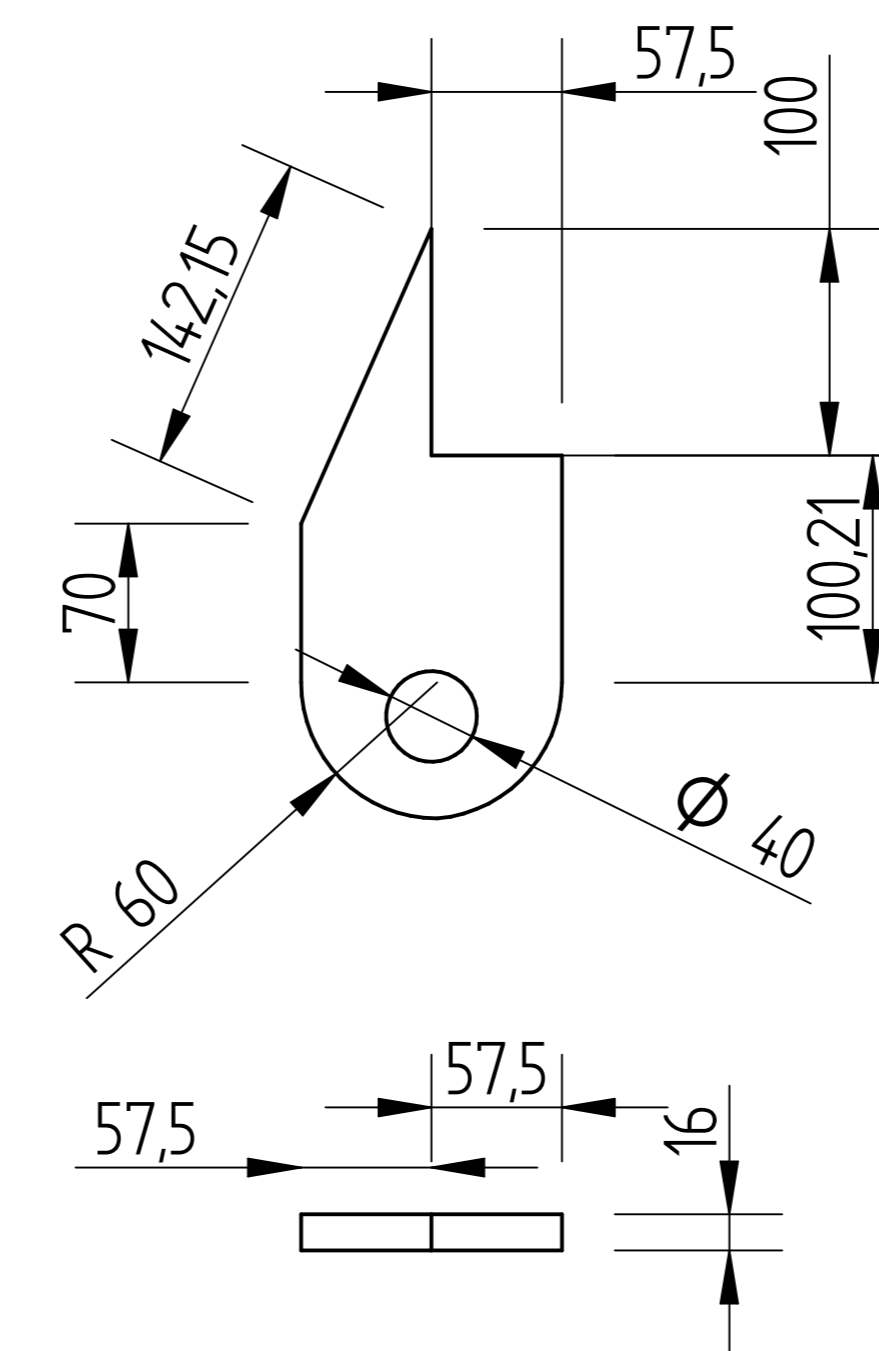
Toolbox frame



Tank beam end plates



Toolbox frame



Cylinder gusset

NAME	DATE	EQUAL CHANCE TRADING 50		
DRAWN: A.J. Davey	01/28/10	TITLE	Chassis Frame 1440	REV
CHECKED:		SIZE	Dwg No 1440-CC-000	A
ENG APPR:		FILE NAME	Chassis Frame.dwg	
MGR APPR:		SCALE	WEIGHT	SHEET 5 OF 5
UNLESS OTHERWISE SPECIFIED		DIMENSIONS ARE IN MILLIMETERS		
ANGLES = 0.1°		2 Pl. = 0.02 3 Pl. = 0.005		