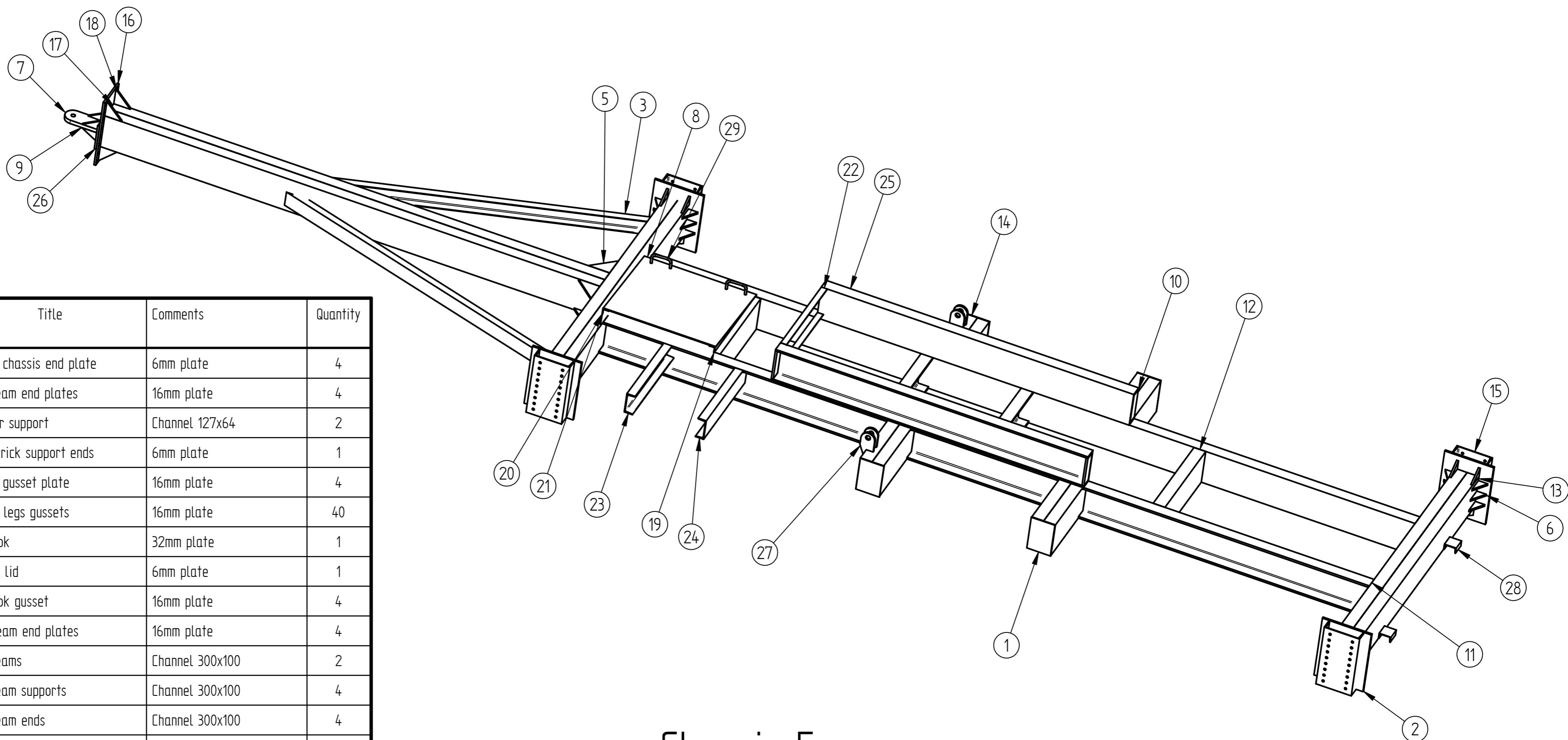


1440 CHASSIS
1440-C-000

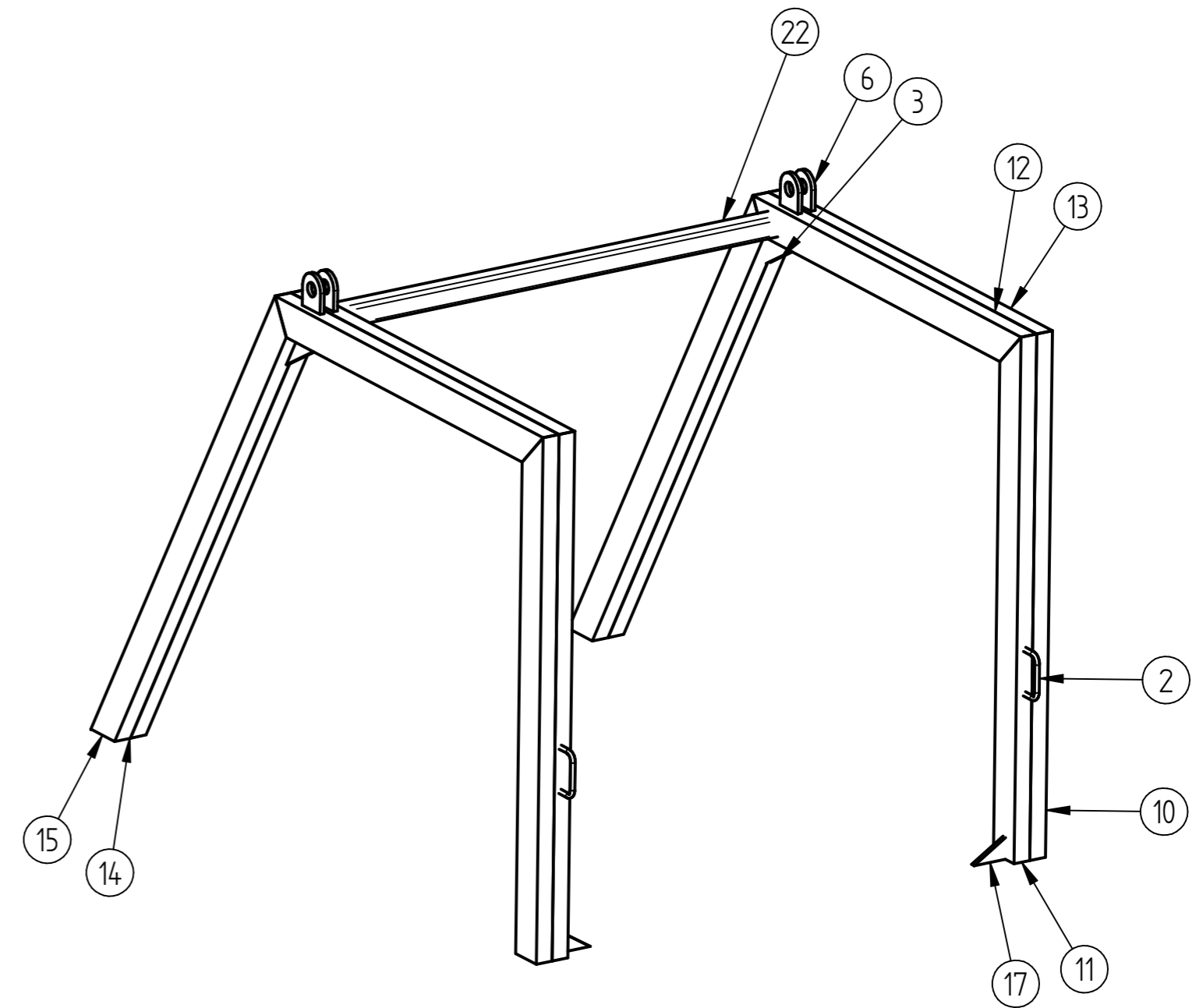
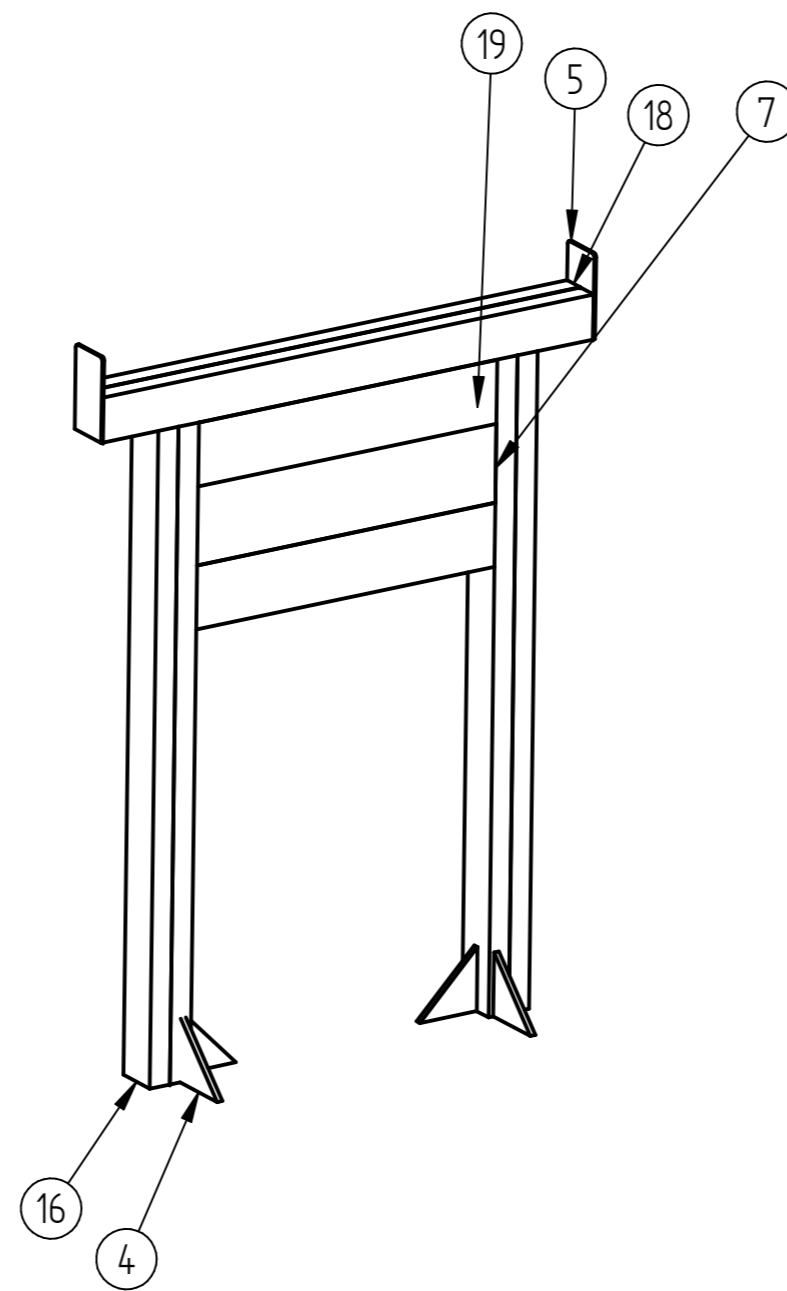
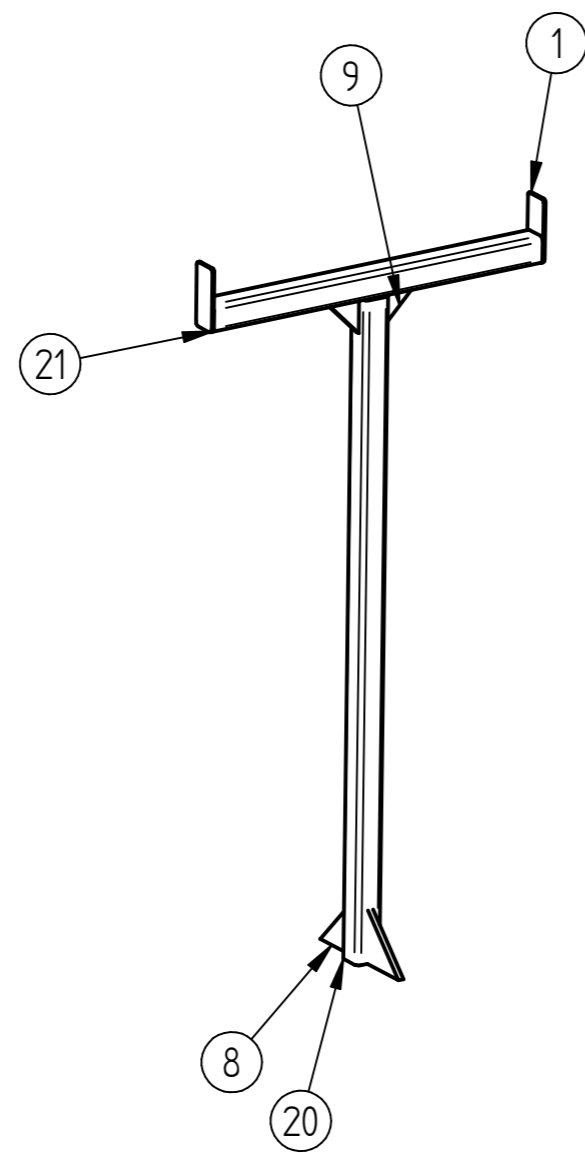
	NAME	DATE	EQUAL CHANCE TRADING 50		
DRAWN	A.J.Davey	01/28/13	TITLE		
APPROVED			1440 chassis		
MATERIAL			SIZE	DWG NO	REV
TREATMENT			A2	1440 - C - 1	0
UNLESS OTHERWISE SPECIFIED DIMENSIONS ARE IN MILLIMETERS ANGLES ±0.1°			FILE NAME: chassis 1440.dft		
			SCALE:	WEIGHT:	SHEET 1 OF 5
1 st ANGLE 2 PL ±0.02 3 PL ±0.005					



Chassis Frame 1440-CC-000

Item Number	Document Number	Title	Comments	Quantity
1	1440-CC-001	Derrick chassis end plate	6mm plate	4
2	1440-CC-002	Main beam end plates	16mm plate	4
3	1440-CC-004	Drawbar support	Channel 127x64	2
4	1440-CC-005	Hyd/derrick support ends	6mm plate	1
5	1440-CC-006	Towbar gusset plate	16mm plate	4
6	1440-CC-007	Landing legs gussets	16mm plate	40
7	1440-CC-008	Tow hook	32mm plate	1
8	1440-CC-010	Toolbox Lid	6mm plate	1
9	1440-CC-011	Tow hook gusset	16mm plate	4
10	1440-CC-012	Tank beam end plates	16mm plate	4
11	1440-CC-013	Main beams	Channel 300x100	2
12	1440-CC-014	Main beam supports	Channel 300x100	4
13	1440-CC-015	Main beam ends	Channel 300x100	4
14	1440-CC-016	Hydraulic/derrick supports	Channel 300x100	8
15	1440-CC-016	Landing leg mounting bracket	Channel 300x100	4
16	1440-CC-017	Tow hook mounting plate	16mm plate	1
17	1440-CC-018	Towbar main beams	Channel 300x100	2
18	1440-CC-019	Tow hook mounting gusset	16mm plate	4
19	1440-CC-020	Toolbox frame	Angle 50x50x5	1
20	1440-CC-021	Toolbox frame	Angle 50x50x5	1
21	1440-CC-022	Toolbox frame	Angle 50x50x5	1
22	1440-CC-023	Tank sub frame support	Angle 50x50x5	2
23	1440-CC-024	Bean pump supports	Channel 180x70	1
24	1440-CC-025	Bean pump supports	Channel 180x70	1
25	1440-CC-026	Hydraulic tank sub frames	Channel 300x100	2
26	1440-CC-027	Tow bar mounting plate	16mm plate	1
27	1440-CC-028	Cylinder gusset	16mm plate	4
28	1440-CC-029	Step	Channel 100x50	2
29	1440-CS-001	Toolbox handel	16mm roundbar	2

DRAWN	NAME	DATE	EQUAL CHANCE TRADING 50	
APPROVED	A.J.Davey	01/28/13		
MATERIAL			TITLE	
TREATMENT			1440 chassis	
UNLESS OTHERWISE SPECIFIED DIMENSIONS ARE IN MILLIMETERS			SIZE A2	DWG NO 1440 - C - 1
1 st ANGLE ANGLES ±0.1°			FILE NAME: chassis 1440.dft	REV 0
2 PL ±0.02 3 PL ±0.005			SCALE:	WEIGHT: SHEET 2 OF 5

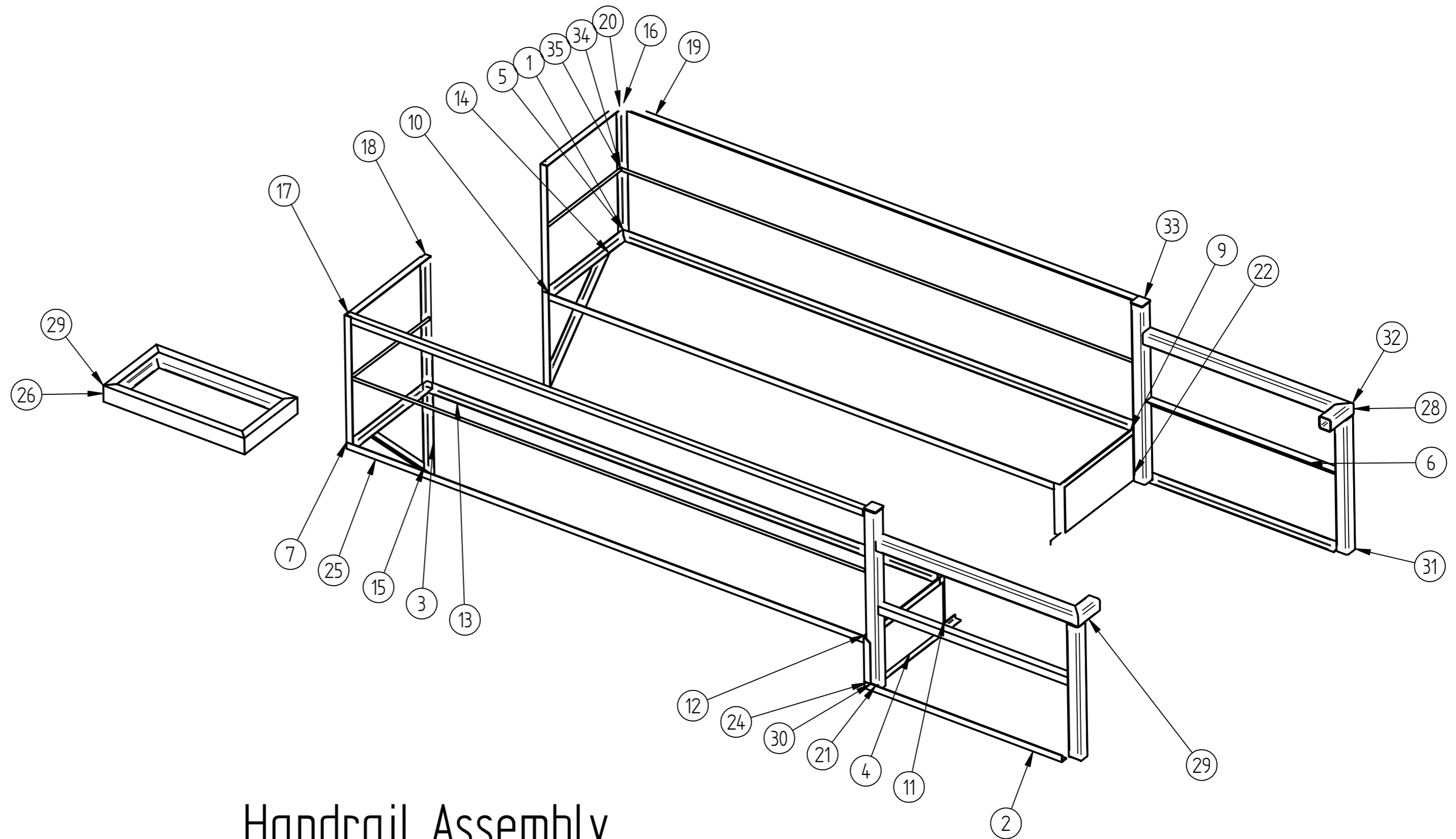


Item Number	Document Number	Title	Comments	Quantity
1	1440-CH-007	Derrick front support end plate	6mm plate	2
2	1440-CS-001	Toolbox handel	16mm roundbar	2
3	1440-CS-002	Derrick pedestal gussets B	16mm plate	2
4	1440-CS-003	Derrick support gusset	16mm plate	4
5	1440-CS-004	Derrick support end plate	6mm plate	2
6	1440-CS-005	Derrick hinges	16mm plate	4
7	1440-CS-006	Wire line cover	3mm plate	1
8	1440-cs-008	Derrick front support gusset B	16mm plate	2
9	1440-CS-009	Derrick front support gusset A	12mm plate	2
10	1440-CS-010	Derrick pedestal upright A	Channel 127x64	2
11	1440-CS-011	Derrick pedestal upright B	Channel 127x64	2
12	1440-CS-012	Derrick pedestal flat A	Channel 127x64	2
13	1440-CS-013	Derrick pedestal flat B	Channel 127x64	2
14	1440-CS-014	Pedestal side support A	Channel 127x64	2
15	1440-CS-015	Pedestal side support B	Channel 127x64	2
16	1440-CS-016	Derrick support A	Channel 127x64	4
17	1440-CS-017	Derrick pedestal gussets A	16mm plate	2
18	1440-CS-018	Derrick support B	Channel 127x64	2
19	1440-CS-019	Wire line bracket	Channel 180x70	2
20	1440-CS-020	Derrick pedestal support	SquareTubing 76x76x4.5	1
21	1440-CS-021	Derrick front support	SquareTubing 76x76x4.5	1
22	1440-CS-022	Derrick cross support	SquareTubing 76x76x4.5	1

Derrick pedestals and supports.asm 1440-CS-000

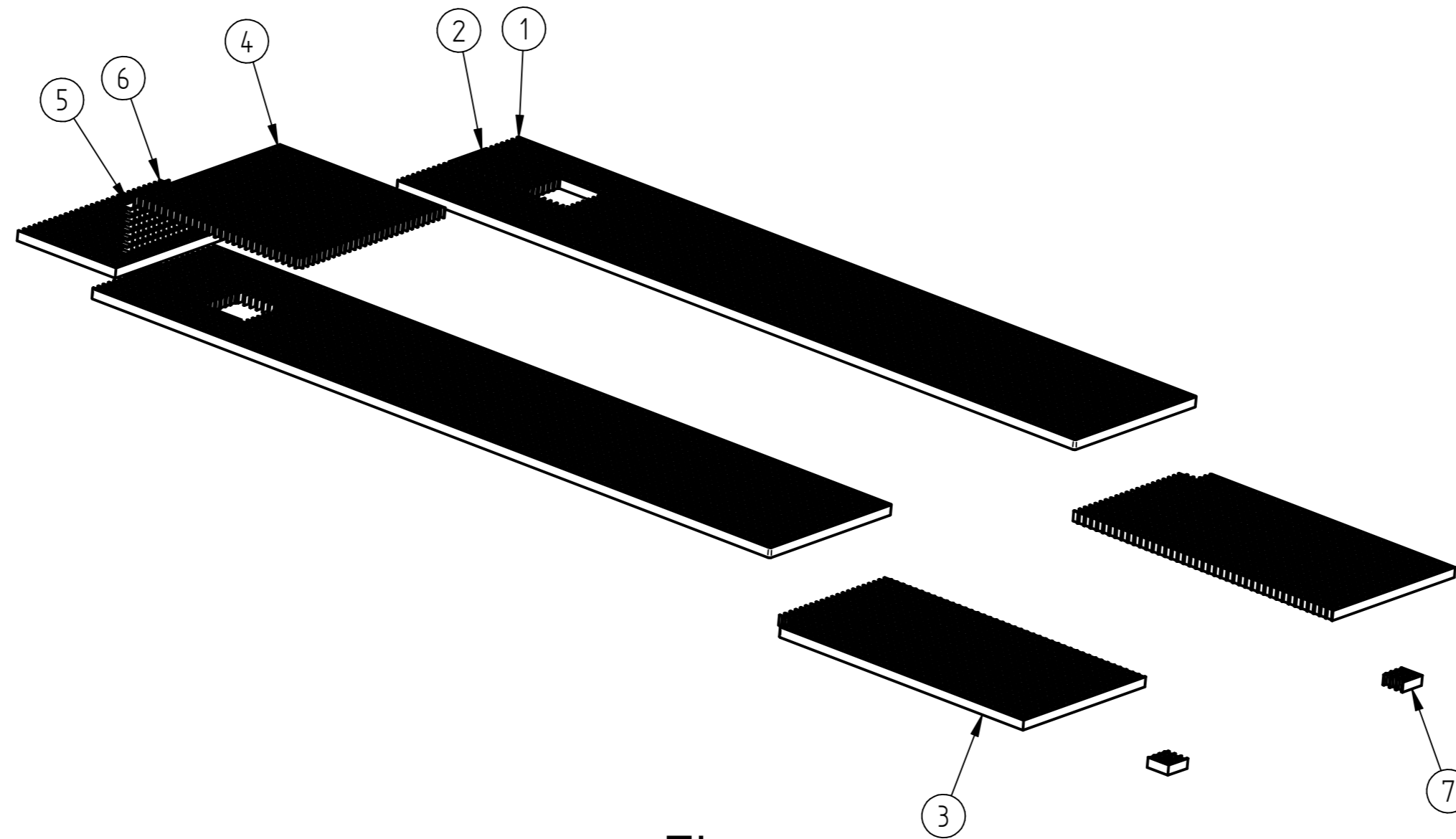
DRAWN	NAME	DATE	EQUAL CHANCE TRADING 50		
APPROVED	A.J.Davey	01/28/13			
MATERIAL			TITLE		
TREATMENT			1440 chassis		
UNLESS OTHERWISE SPECIFIED DIMENSIONS ARE IN MILLIMETERS			SIZE	DWG NO	REV
1 st ANGLE			A2	1440 - C - 1	0
ANGLES ±0.1°			FILE NAME: chassis 1440.dft		
2 PL ±0.02 3 PL ±0.005			SCALE:	WEIGHT:	SHEET 3 OF 5

Item Number	Document Number	Title	Comments	Quantity
1	1440-CH-003	Handrail post C	Angle 40x40x5	1
2	1440-CH-004	Handrail post B	Angle 40x40x5	2
3	1440-CH-005	Handrail post D	Angle 40x40x5	2
4	1440-CH-006	Handrail kickplate A	3mm plate	2
5	1440-CH-007	Handrail post E	Angle 40x40x5	1
6	1440-CH-008	Handrail rest R	Angle 40x40x5	2
7	1440-CH-009	Handrail post F	Angle 40x40x5	1
8	1440-CH-010	Handrail post G	Angle 40x40x5	1
9	1440-CH-011	Handrail rest B	Angle 40x40x5	1
10	1440-CH-012	Handrail rest C	Angle 40x40x5	1
11	1440-CH-013	Handrail kickplate B	Angle 40x40x5	1
12	1440-CH-014	Handrail rest D	Angle 40x40x5	1
13	1440-CH-015	Handrail rest E	Angle 40x40x5	1
14	1440-CH-016	Handrail rest F	Angle 40x40x5	1
15	1440-CH-017	Handrail rest G	Angle 40x40x5	1
16	1440-CH-018	Handrail rest H	Angle 40x40x5	4
17	1440-CH-019	Handrail rest I	Angle 40x40x5	1
18	1440-CH-020	Handrail rest J	Angle 40x40x5	1
19	1440-CH-021	Handrail rest K	Angle 40x40x5	1
20	1440-CH-022	Handrail rest L	Angle 40x40x5	1
21	1440-CH-023	Handrail rest M	Angle 40x40x5	1
22	1440-CH-024	Handrail rest N	Angle 40x40x5	1
23	1440-CH-025	Handrail rest O	Angle 40x40x5	1
24	1440-CH-026	Handrail rest P	Angle 40x40x5	1
25	1440-CH-027	Handrail rest Q	Angle 40x40x5	1
26	1440-CH-028	Bean pump frame A	Channel 100x50	2
27	1440-CH-029	Bean pump frame B	Channel 100x50	2
28	1440-CH-030	Handrail rest A	SquareTubing 76x76x4.5	1
29	1440-CH-031	Handrail rest B	SquareTubing 76x76x4.5	1
30	1440-CH-032	Handrail post A	SquareTubing 76x76x4.5	2
31	1440-CH-033	Handrail post B	SquareTubing 76x76x4.5	2
32	1440-CH-034	Handrail post C	SquareTubing 76x76x4.5	2
33	1440-CH-035	Derrick support end plate B	6mm plate	2
34	1440-CH-035	Handrail middel A	Roundbar 16 mm	2
35	1440-CH-036	Handrail middel B	Roundbar 16 mm	2



Handrail Assembly 1440-CH-000

DRAWN	NAME	DATE	EQUAL CHANCE TRADING 50		
APPROVED	A.J.Davey	01/28/13			
MATERIAL			TITLE		
TREATMENT			1440 chassis		
UNLESS OTHERWISE SPECIFIED DIMENSIONS ARE IN MILLIMETERS			SIZE	DWG NO	REV
1st ANGLE			A2	1440 - C - 1	0
2 PL ±0.02 3 PL ±0.005			FILE NAME: chassis 1440.dft		
			SCALE:	WEIGHT:	SHEET 4 OF 5



Floor 1440-CF-000

Item Number	Document Number	Title	Comments	Quantity
1	1440-CF-001	Floor panel A	40mm plate	2
2	1440-CF-002	Floor panel B	40mm plate	2
3	1440-CF-003	Floor panel C	40mm plate	2
4	1440-CF-004	Floor panel D	40mm plate	1
5	1440-CF-005	Floor panel E	40mm plate	1
6	1440-CF-006	Floor panel F	40mm plate	1
7	1440-CF-007	Floor panel G	40mm plate	2

	NAME	DATE	EQUAL CHANCE TRADING 50		
DRAWN	A.J.Davey	01/28/13			
APPROVED			TITLE 1440 chassis		
MATERIAL					
TREATMENT			SIZE A2	DWG NO 1440 - C - 1	REV 0
UNLESS OTHERWISE SPECIFIED DIMENSIONS ARE IN MILLIMETERS ANGLES ±0.1°			FILE NAME: chassis 1440.dft		
			SCALE: 2 PL ±0.02 3 PL ±0.005	WEIGHT:	SHEET 5 OF 5