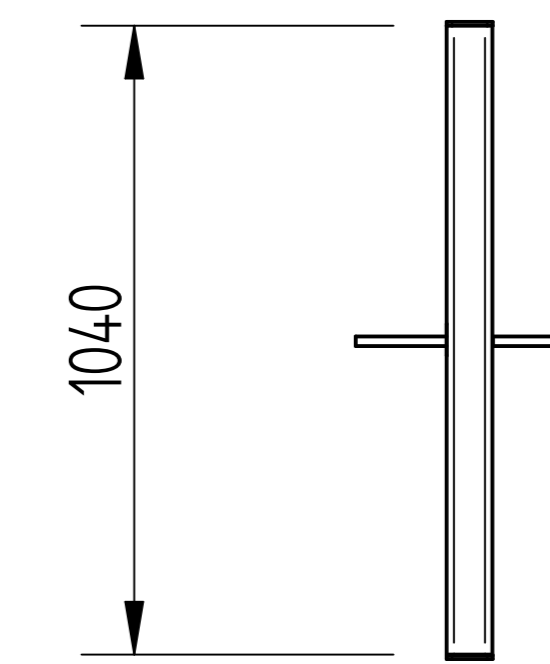
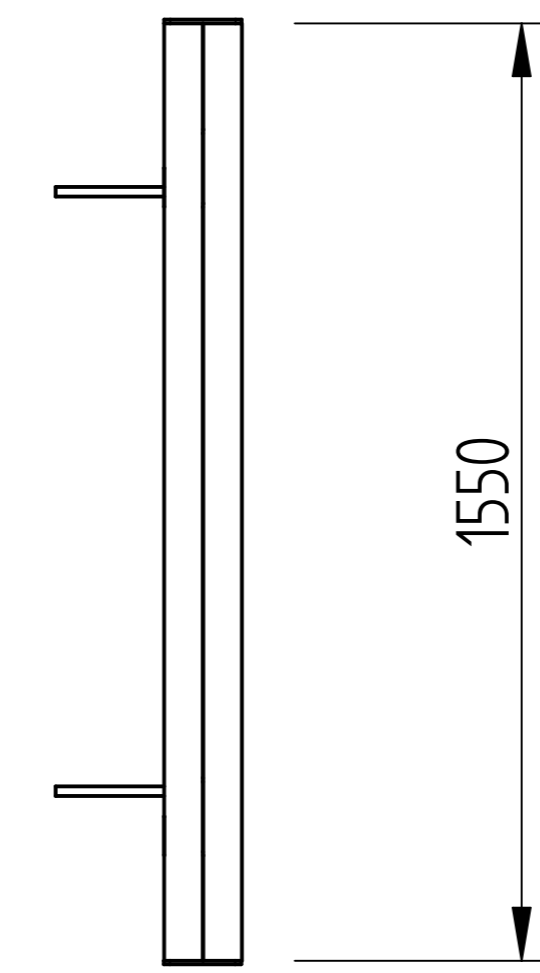
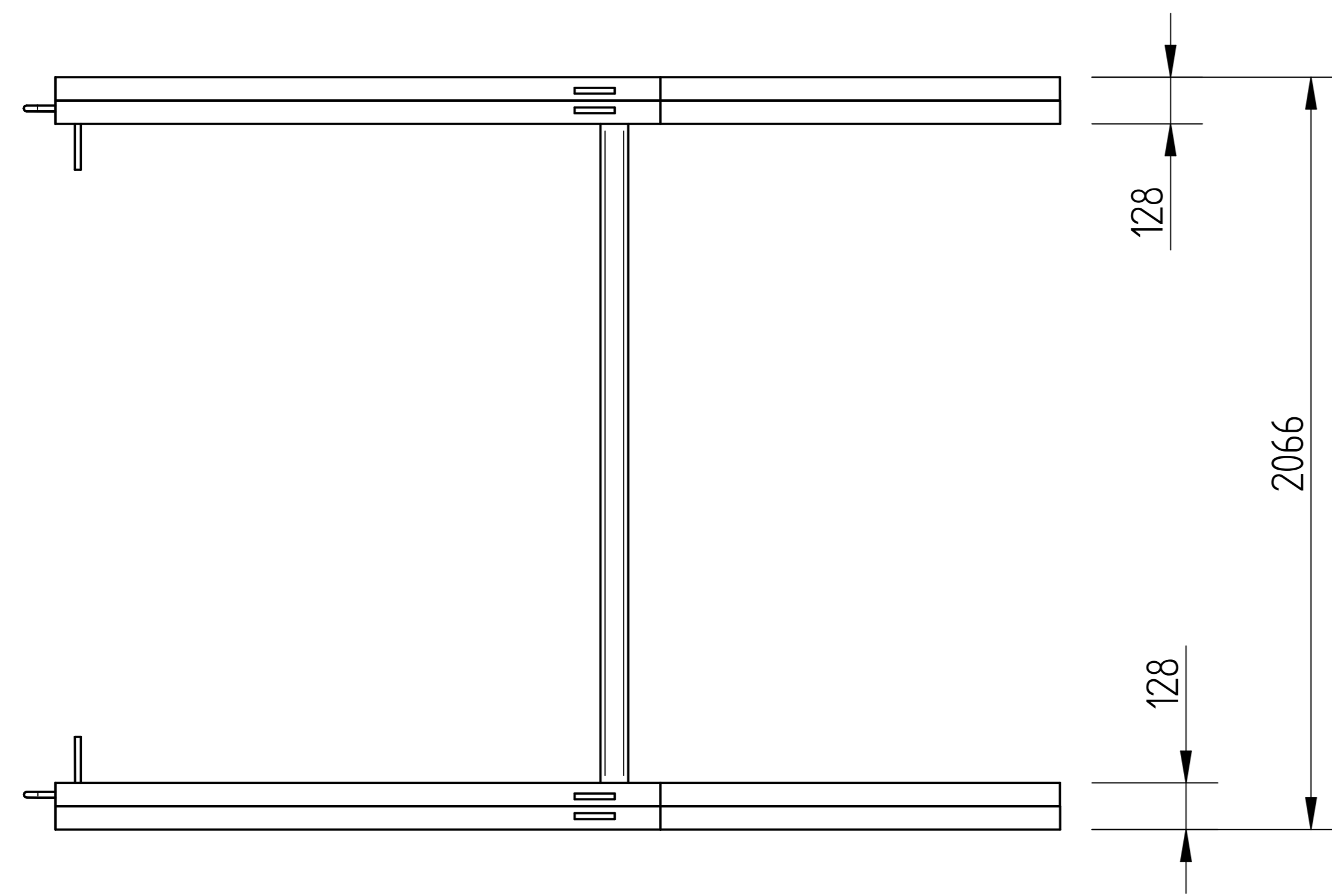
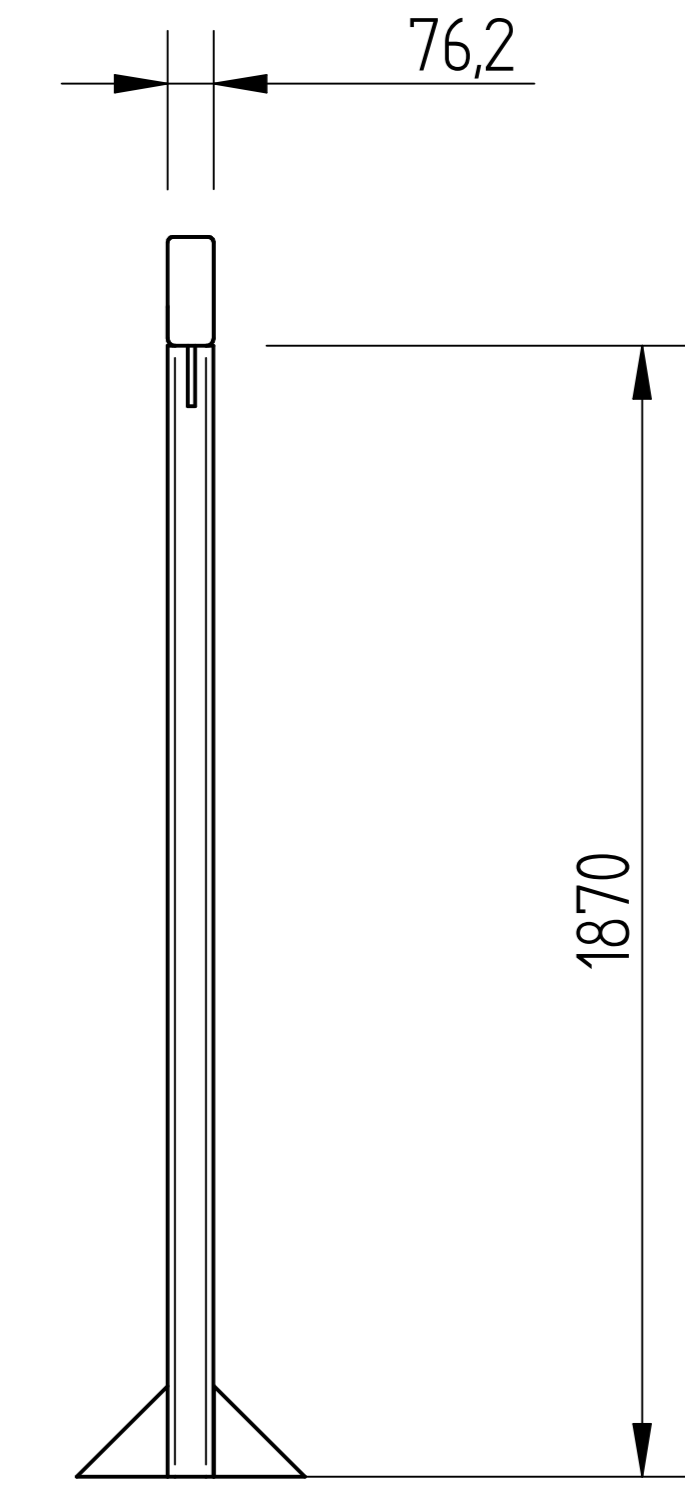
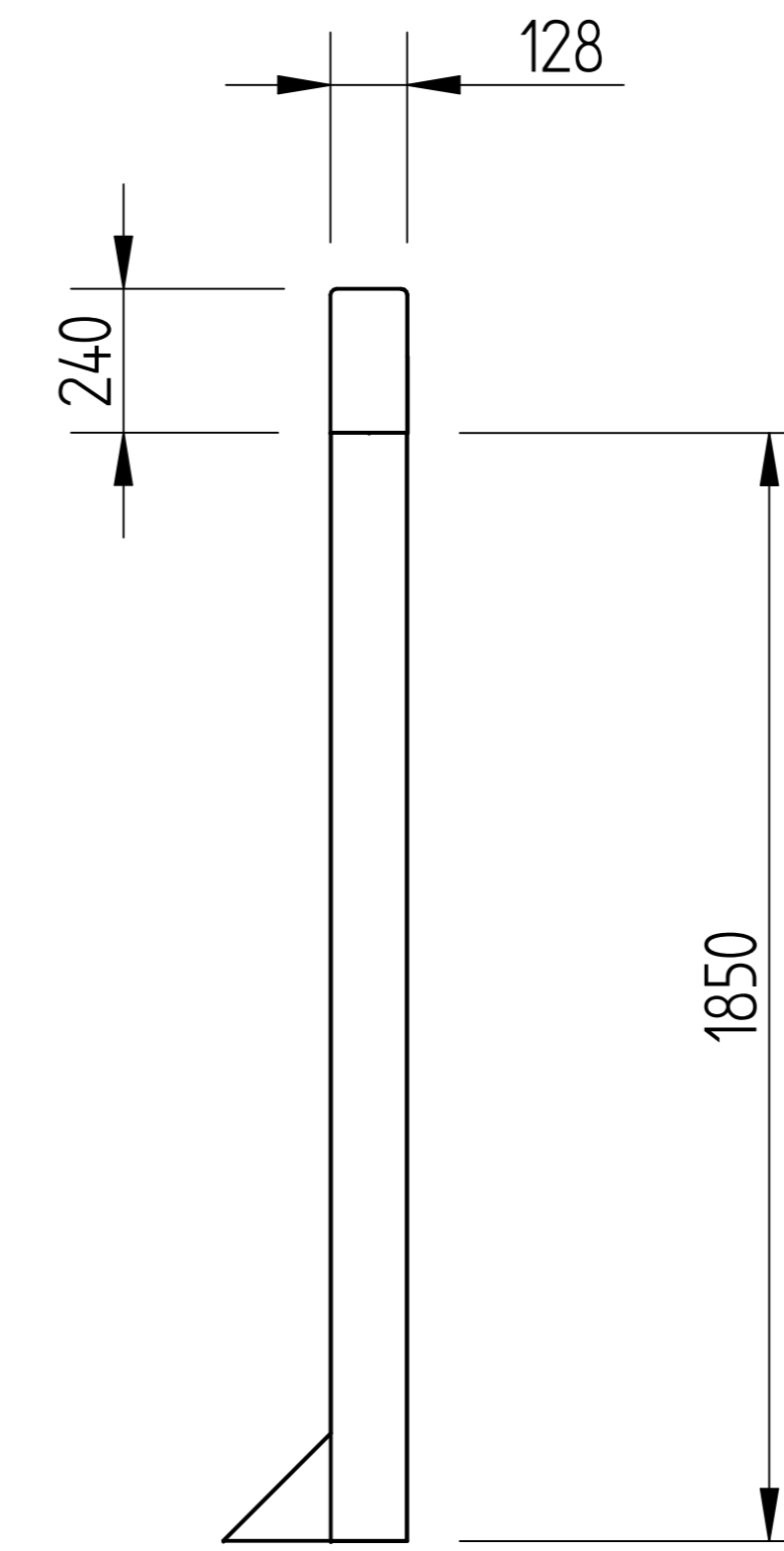
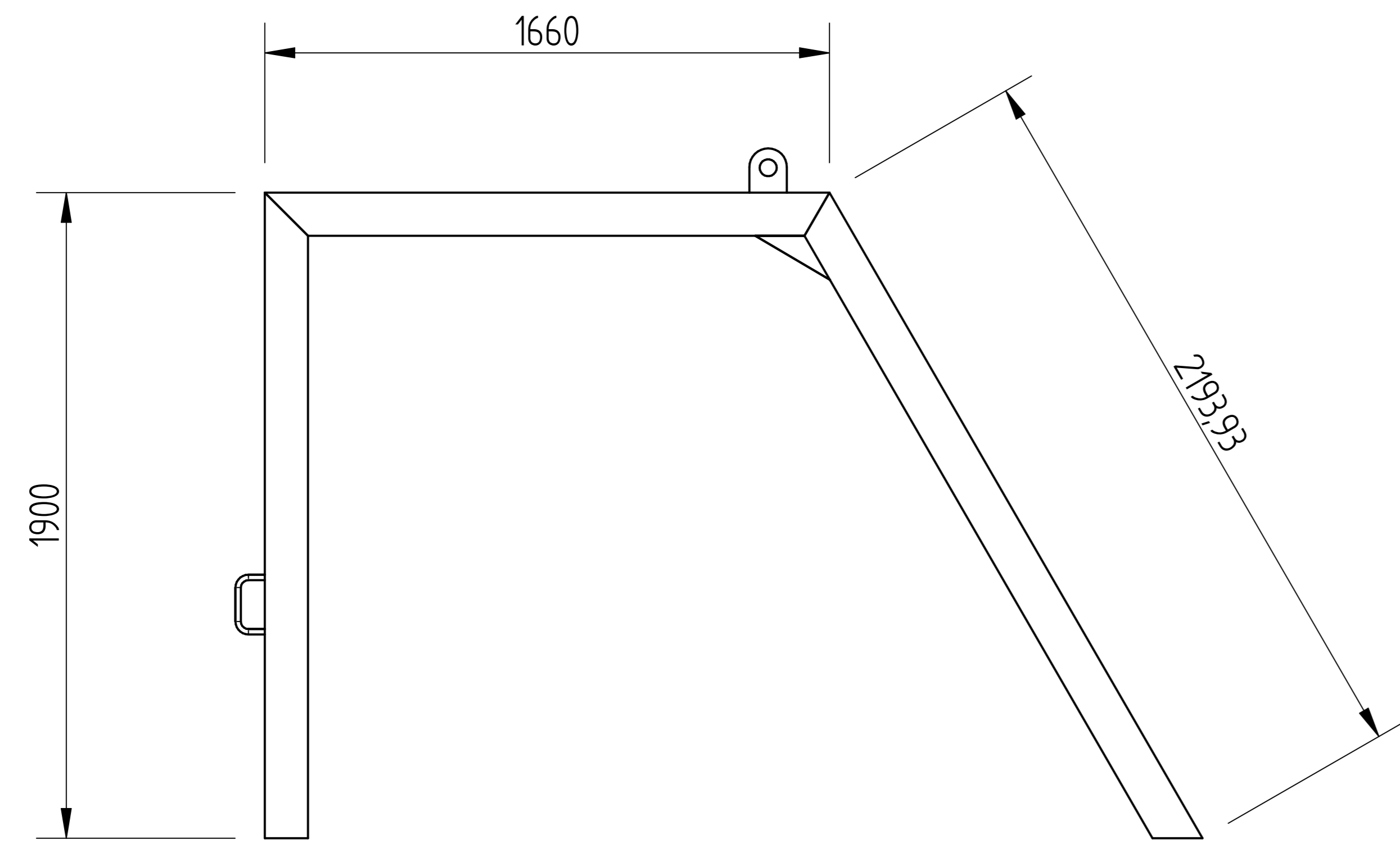
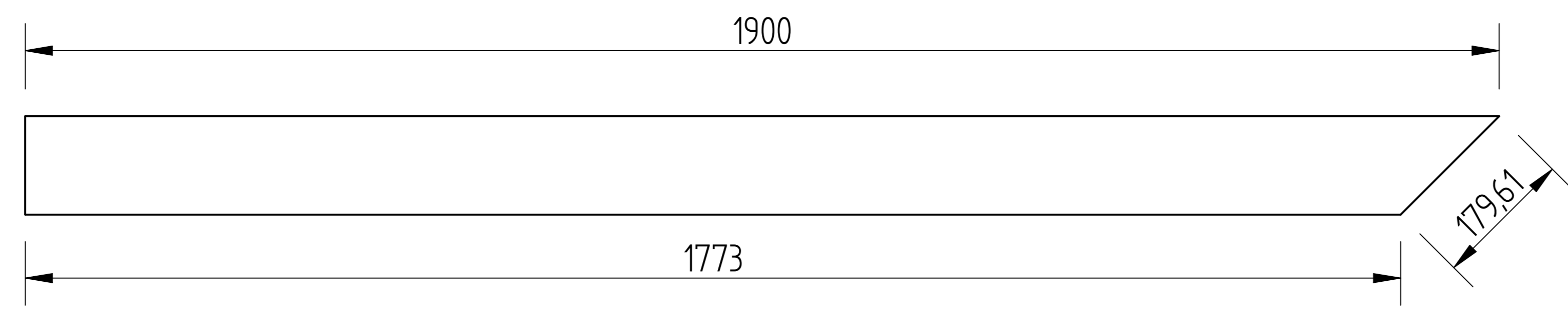
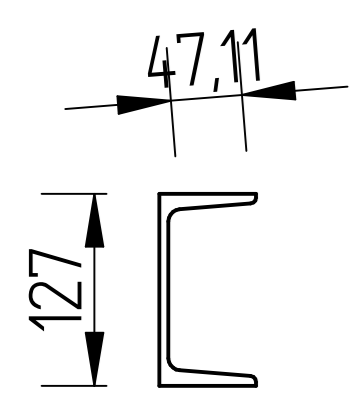


Item Number	Document Number	Title	Material	Quantity
1	1440-CS-010	Derrick pedestal upright A	Steel	2
2	1440-CS-011	Derrick pedestal upright B	Steel	2
3	1440-CS-012	Derrick pedestal flat A	Steel	2
4	1440-CS-013	Derrick pedestal flat B	Steel	2
5	1440-CS-017	Derrick pedestal gussets A	Steel	2
6	1440-CS-014	Pedestal side support A	Steel	2
7	1440-CS-015	Pedestal side support B	Steel	2
8	1440-CS-022	Derrick cross support	Steel	1
9	1440-CS-002	Derrick pedestal gussets B	Steel	2
10	1440-CS-016	Derrick support A	Steel	4
11	1440-CS-018	Derrick support B	Steel	2
12	1440-CS-003	Derrick support gusset	Steel	4
13	1440-CS-019	Wire line bracket	Steel	2
14	1440-CS-004	Derrick support end plate	Steel	2
15	1440-CS-005	Derrick hinges	Steel	4
16	1440-CS-006	Wire line cover	Steel	1
17	1440-CS-020	Derrick pedestal support	Steel	1
18	1440-CS-021	Derrick front support	Steel	1
19	1440-EH-007	Derrick front support end plate	Steel	2
20	1440-CS-008	Derrick front support gusset B	Steel	2
21	1440-CS-009	Derrick front support gusset A	Steel	2
22	1440-CS-001	Toolbox handle	Steel	2

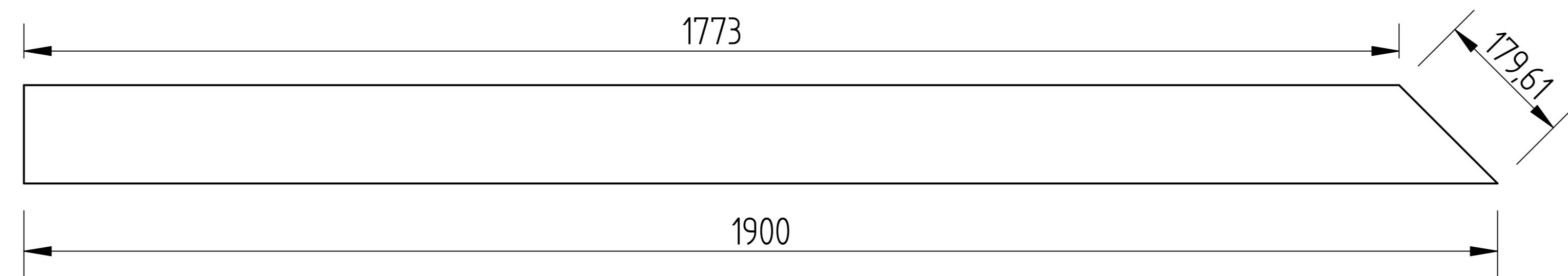
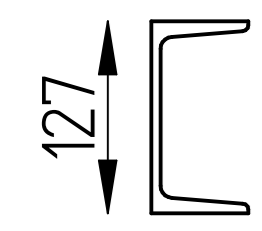
NAME	DATE	TITLE
DRAWN: Owner	01/28/10	EQUAL CHANCE TRADING 50
CHECKED:		
ENG APPR:		
MGR APPR:		
UNLESS OTHERWISE SPECIFIED: DIMENSIONS ARE IN MILLIMETERS ANGLES = 90°		SCALE: 1:1
2 PL ±0.02	3 PL ±0.005	SCALE: WEIGHT: SHEET 1 OF 4



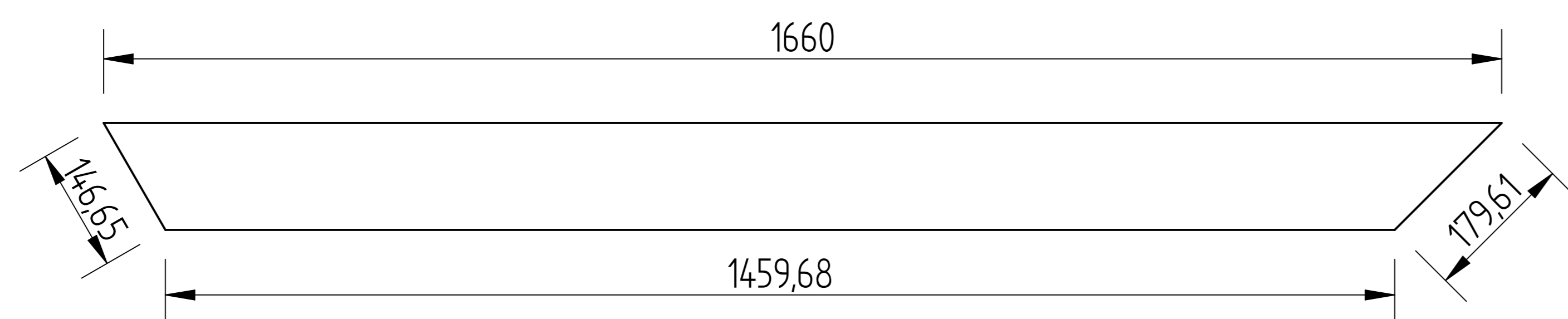
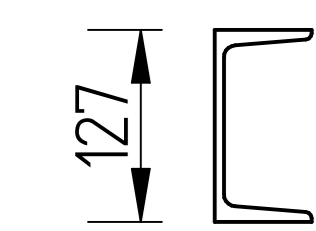
NAME	DATE	TITLE	SIZE	DWG NO	REV
DRAWN: Owner	01/28/13	EQUAL CHANCE TRADING 50	A2	1440-CS-000	A
CHECKED:		1440 CHASSIS SUPPORT			
ENG APPR:					
MGR APPR:					
UNLESS OTHERWISE SPECIFIED: DIMENSIONS ARE IN MILLIMETERS ANGLES = 0.1°			2 PL = 0.02	3 PL = 0.005	SCALE
			WEIGHT	SHEET 2 OF 4	



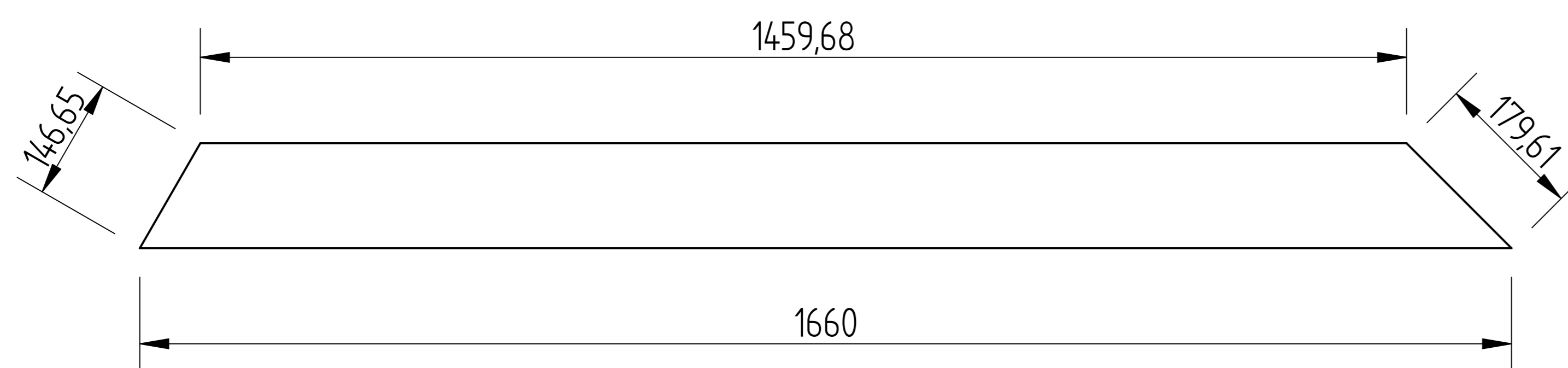
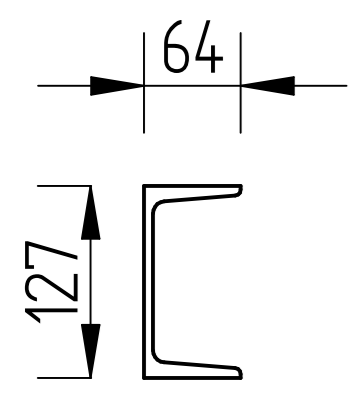
Derrick pedestal upright A



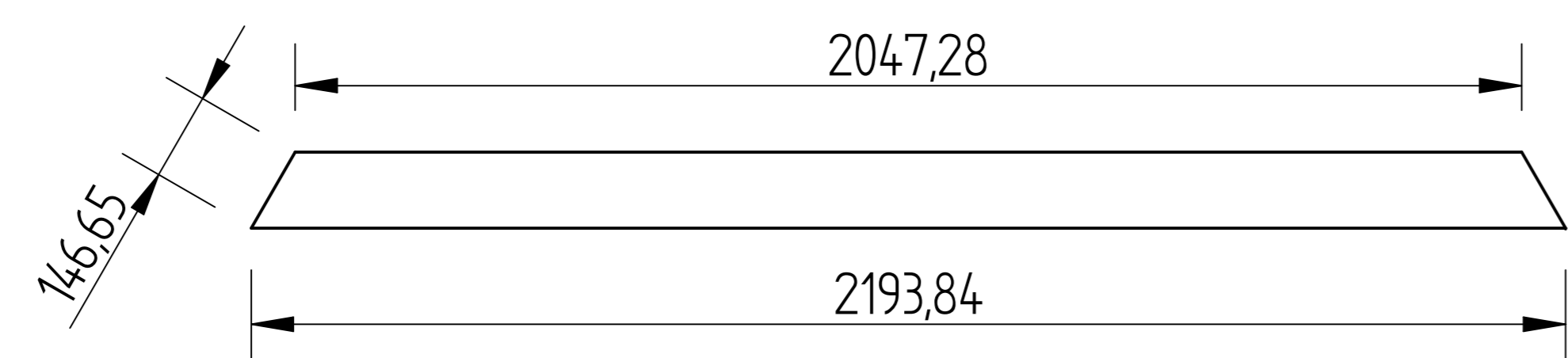
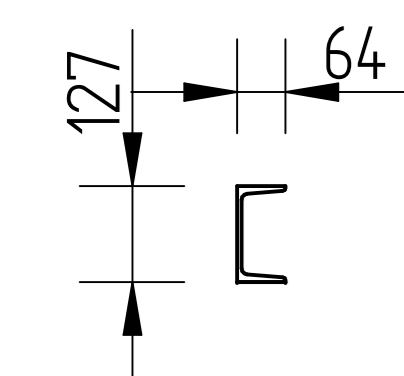
Derrick pedestal upright B



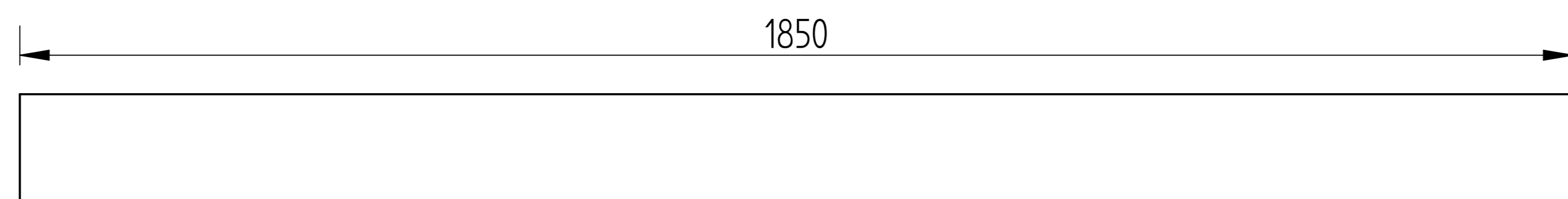
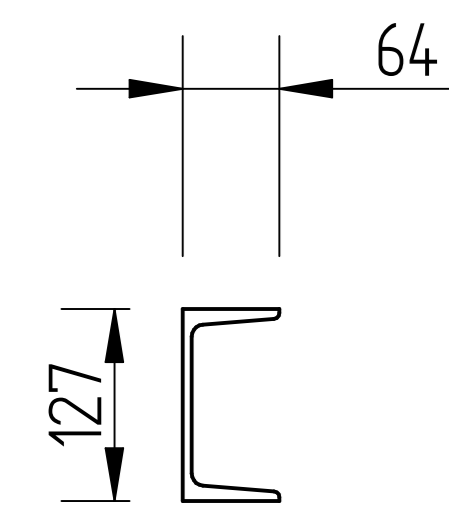
Derrick pedestal flat A



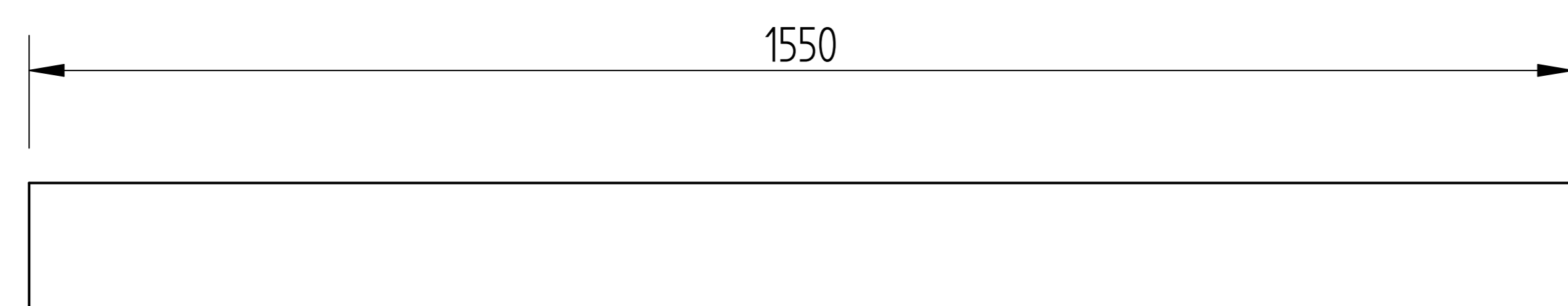
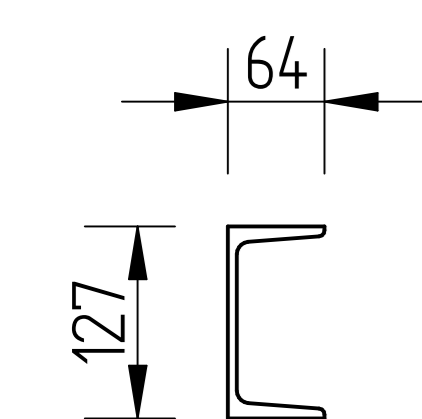
Derrick pedestal flat B



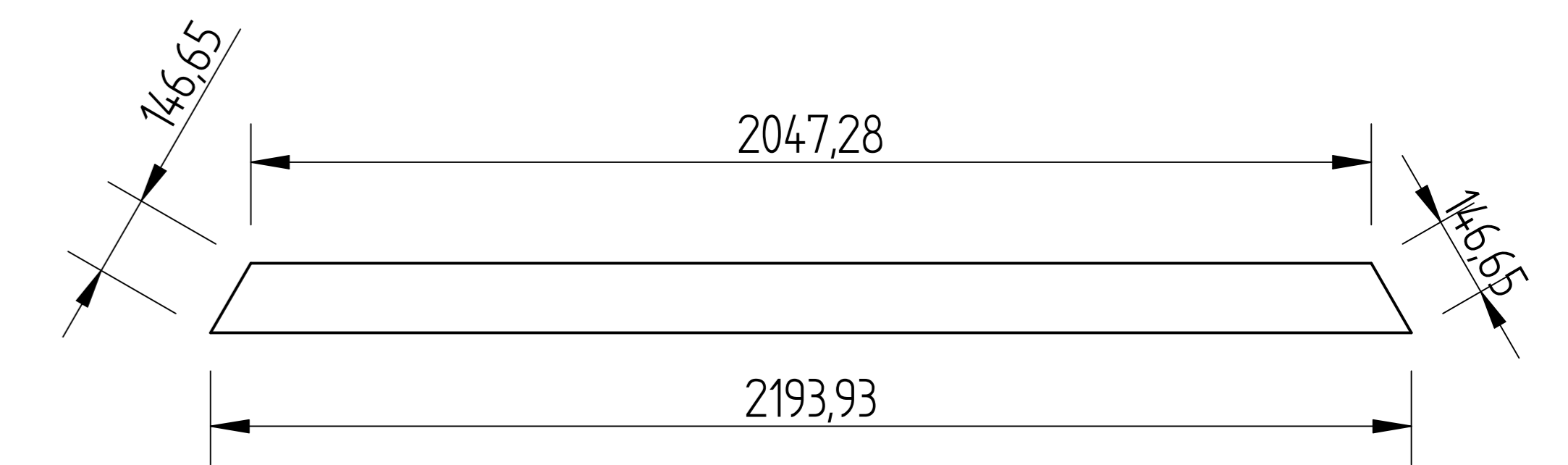
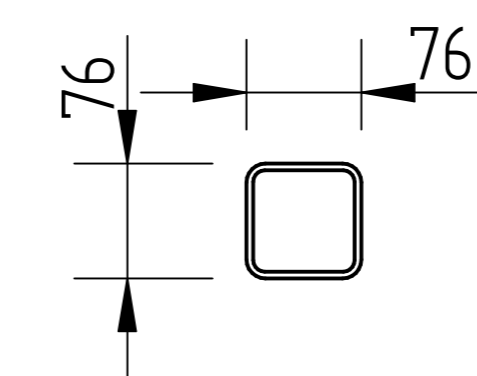
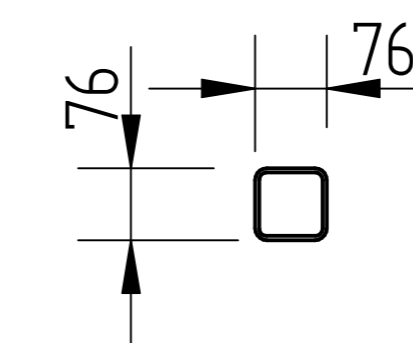
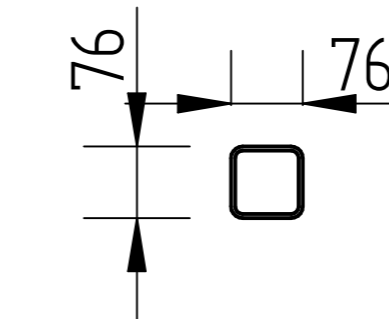
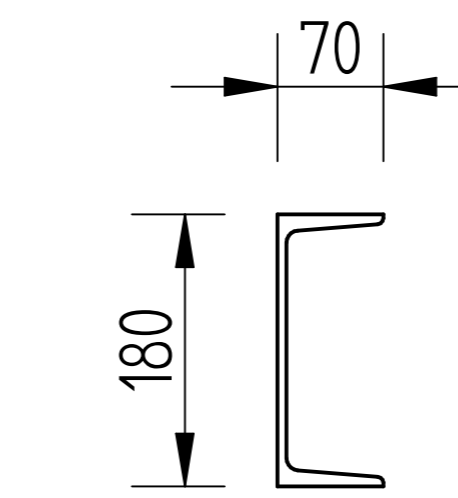
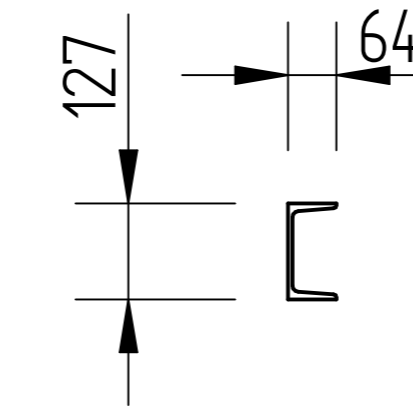
Pedestal side support B



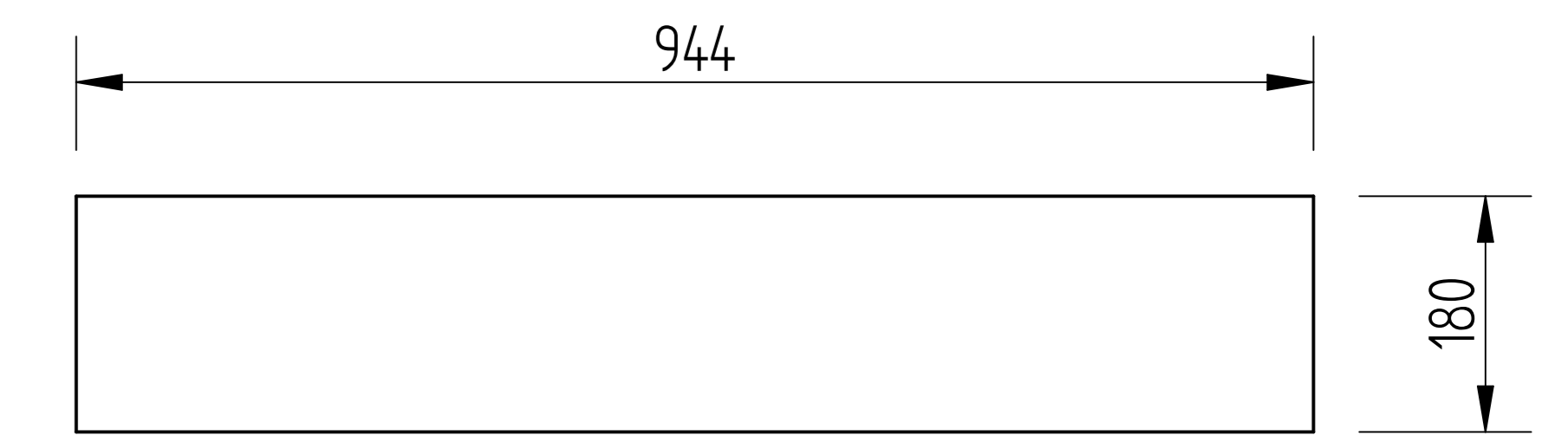
Derrick support A



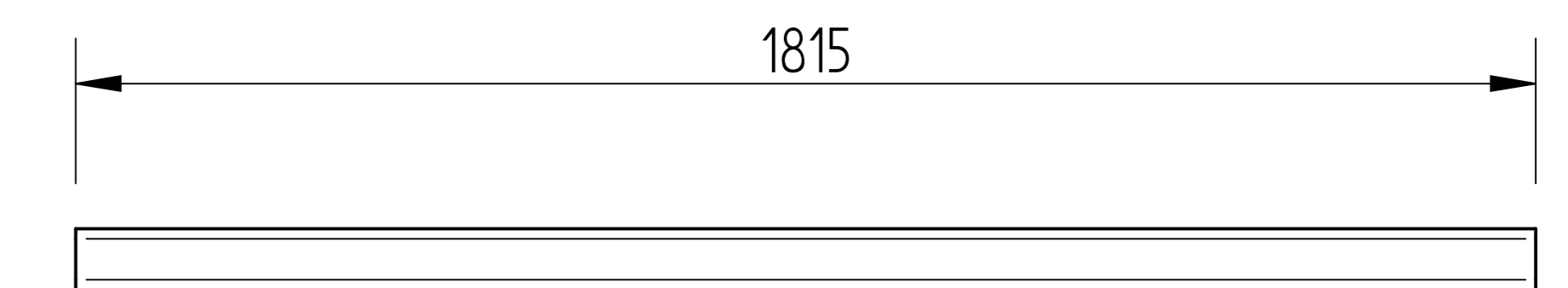
Derrick support B



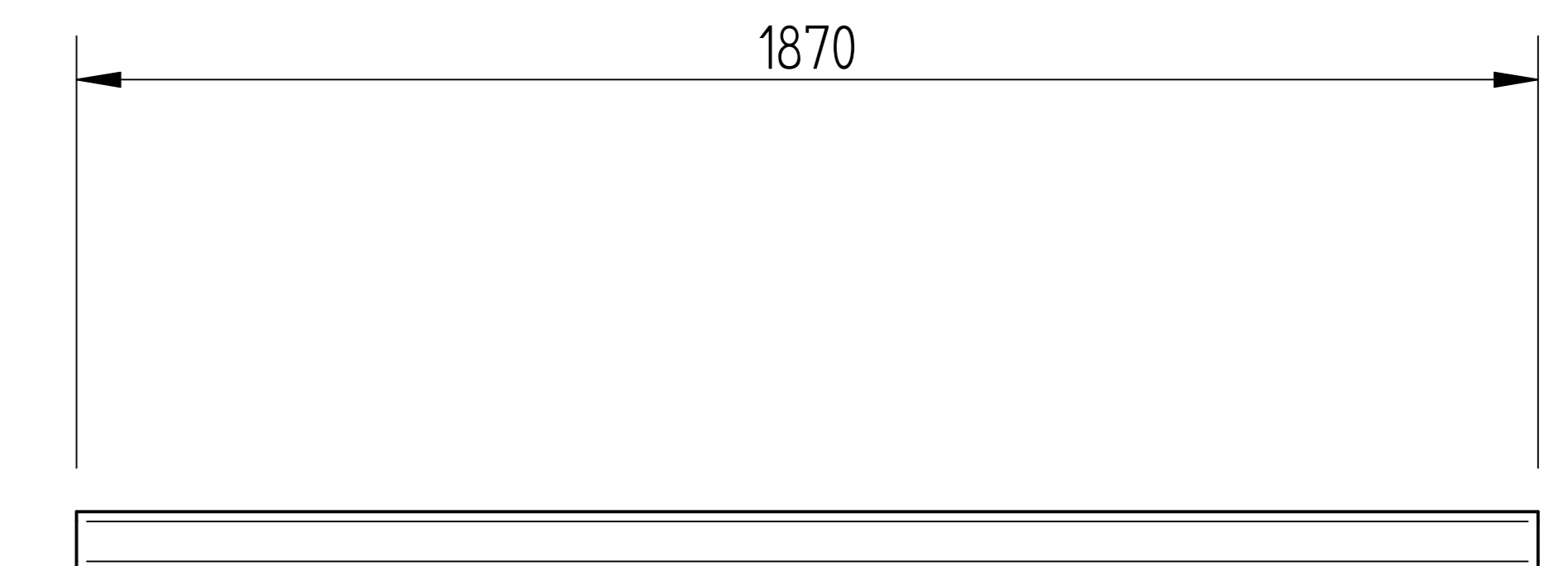
Pedestal side support A



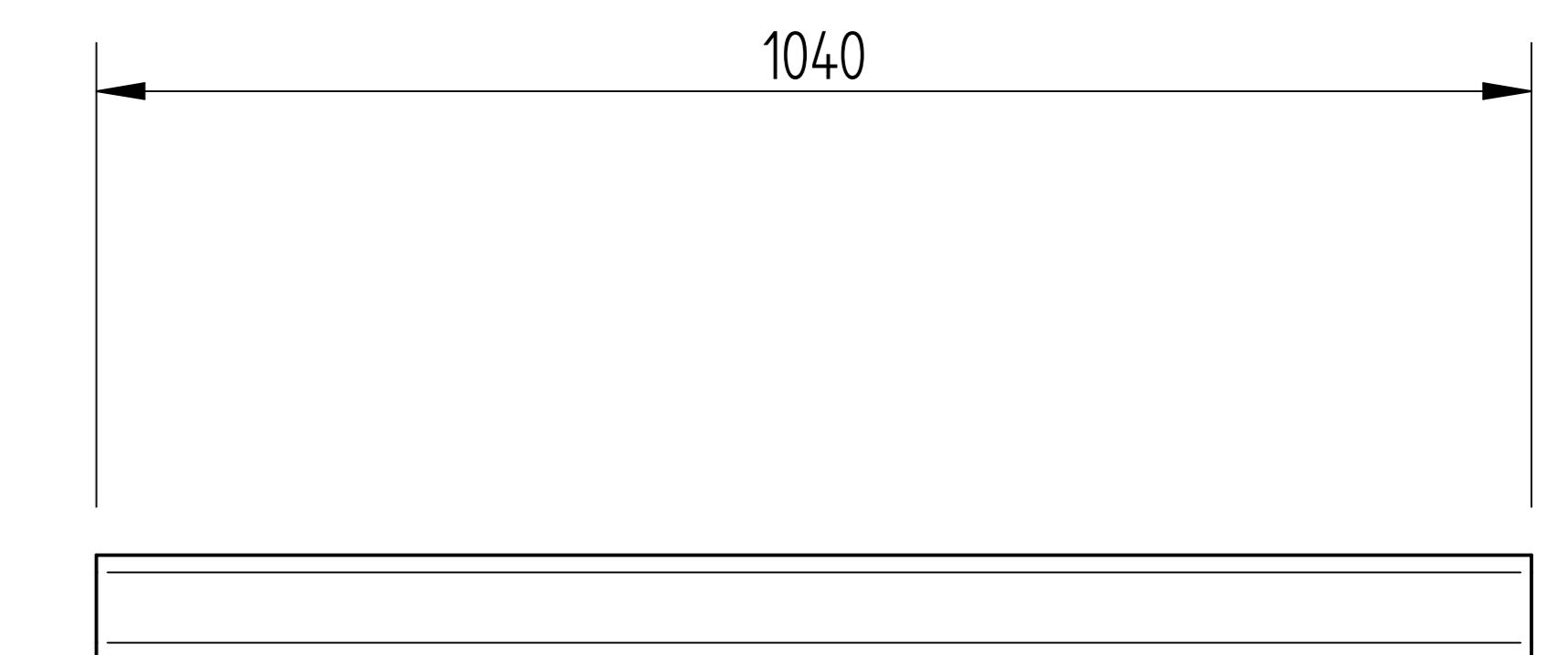
Wire line bracket



Derrick cross support

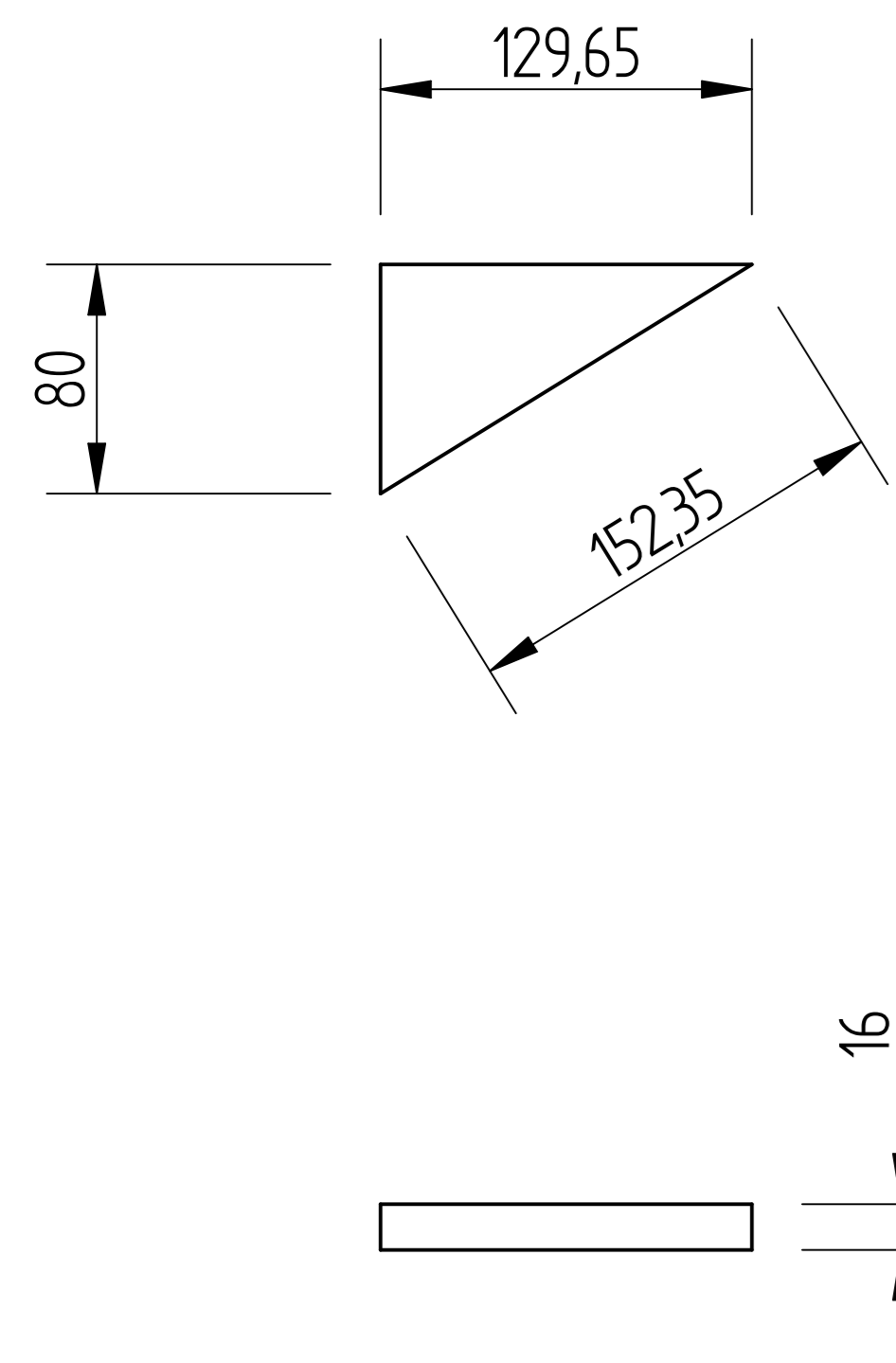


Derrick pedestal support

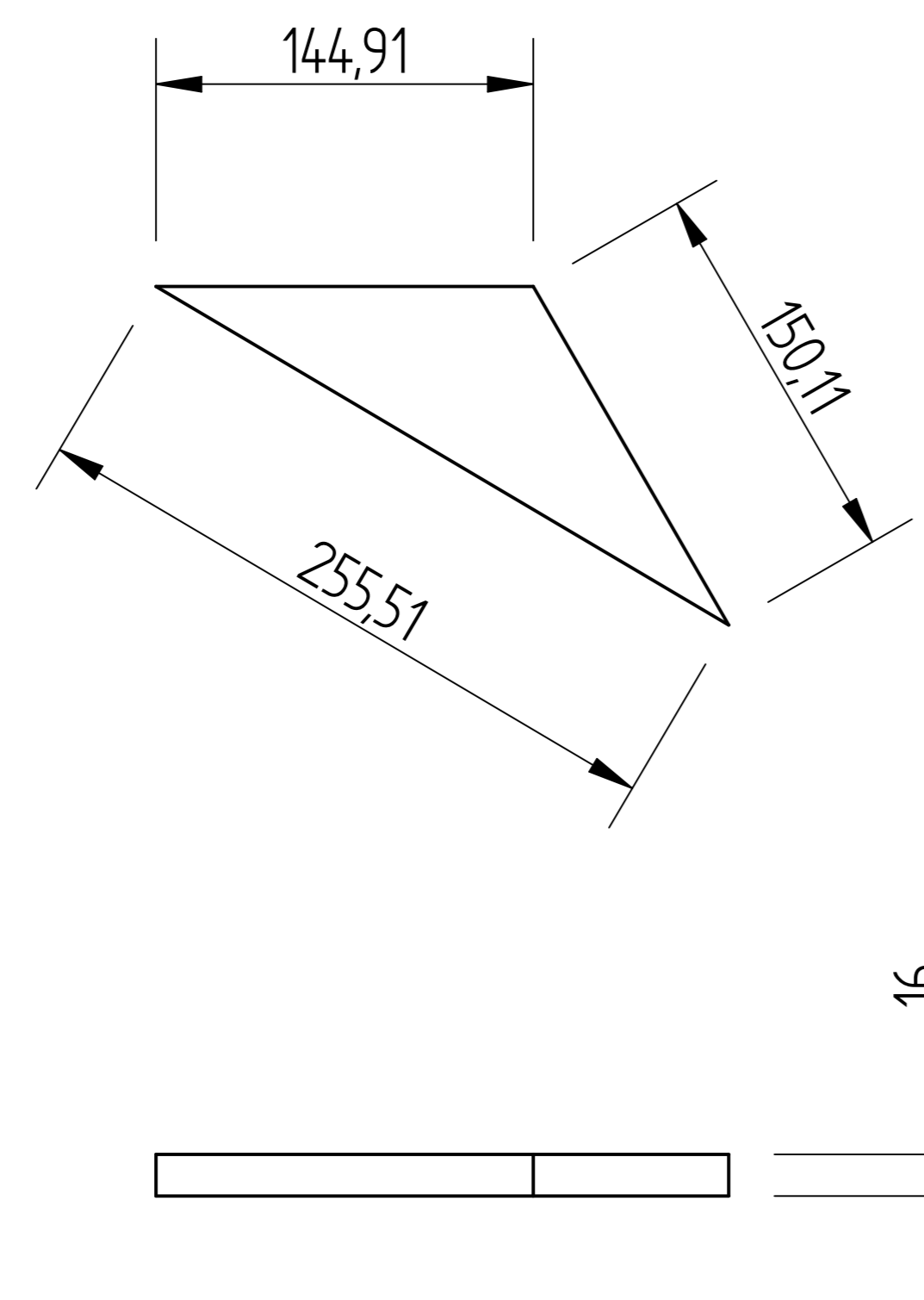


Derrick front support

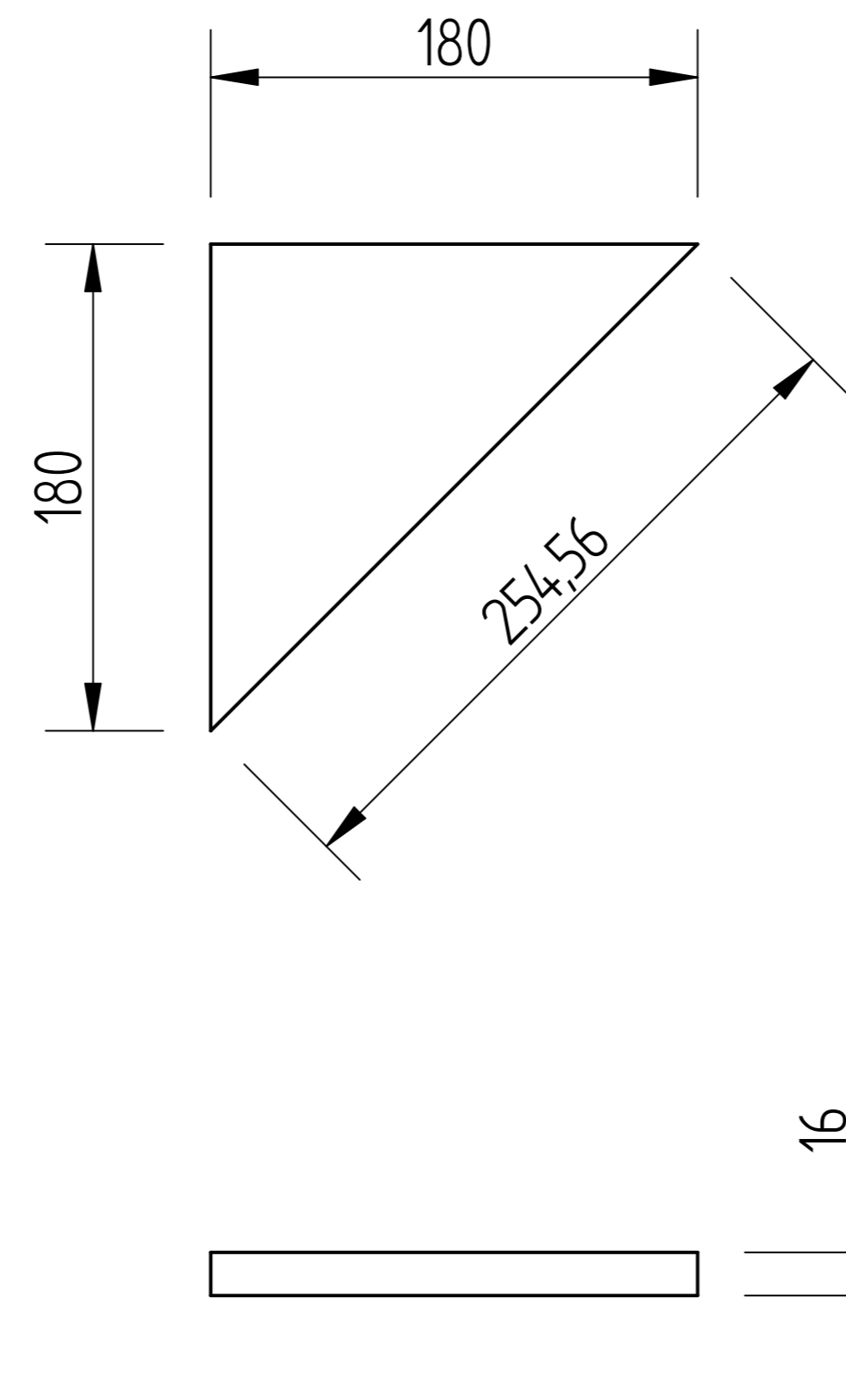
NAME	DATE	EQUAL CHANCE TRADING 50		
DRAWN: Owner	01/28/10	TITLE	1440 EHASSIS SUPPORT	REV
CHECKED:		SIZE	A2	A
ENG APPR:		FILE NAME	Derrick pedestals and supports 1440.dft	
MGR APPR:		SCALE		SHEET 3 OF 4
UNLESS OTHERWISE SPECIFIED:		DIMENSIONS ARE IN MILLIMETERS		
ANGLES = 0.1°		2 Pl. = 0.02 3 Pl. = 0.005		



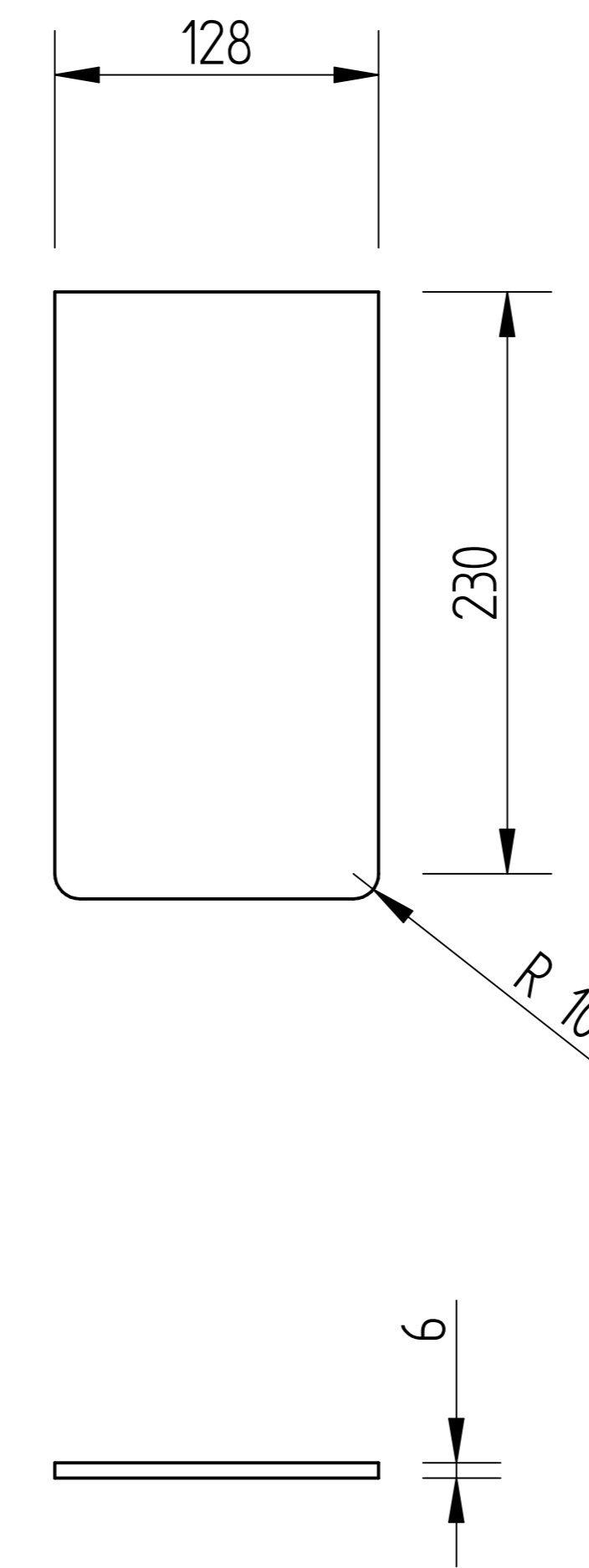
Derrick pedestal gussets A



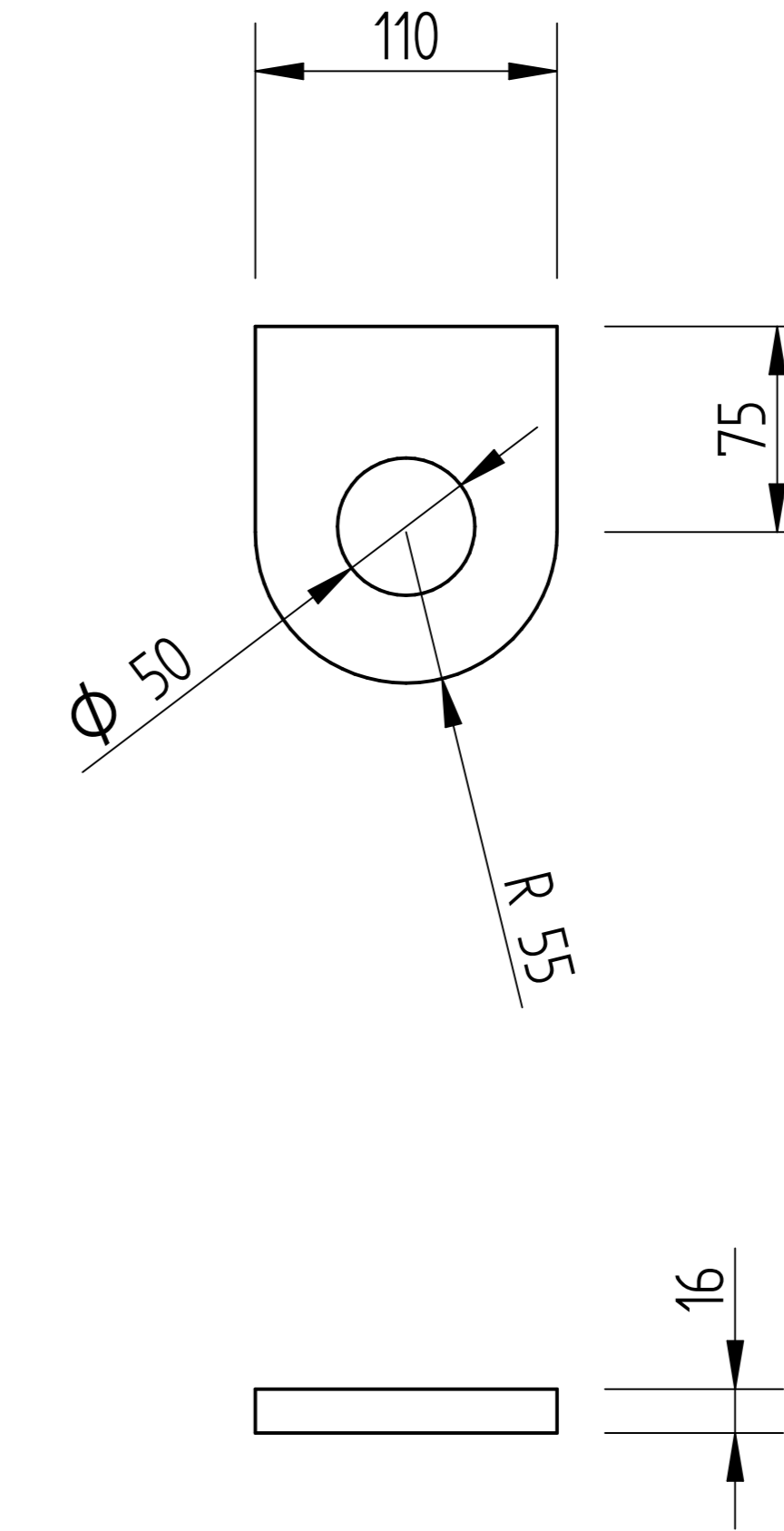
Derrick pedestal gussets B



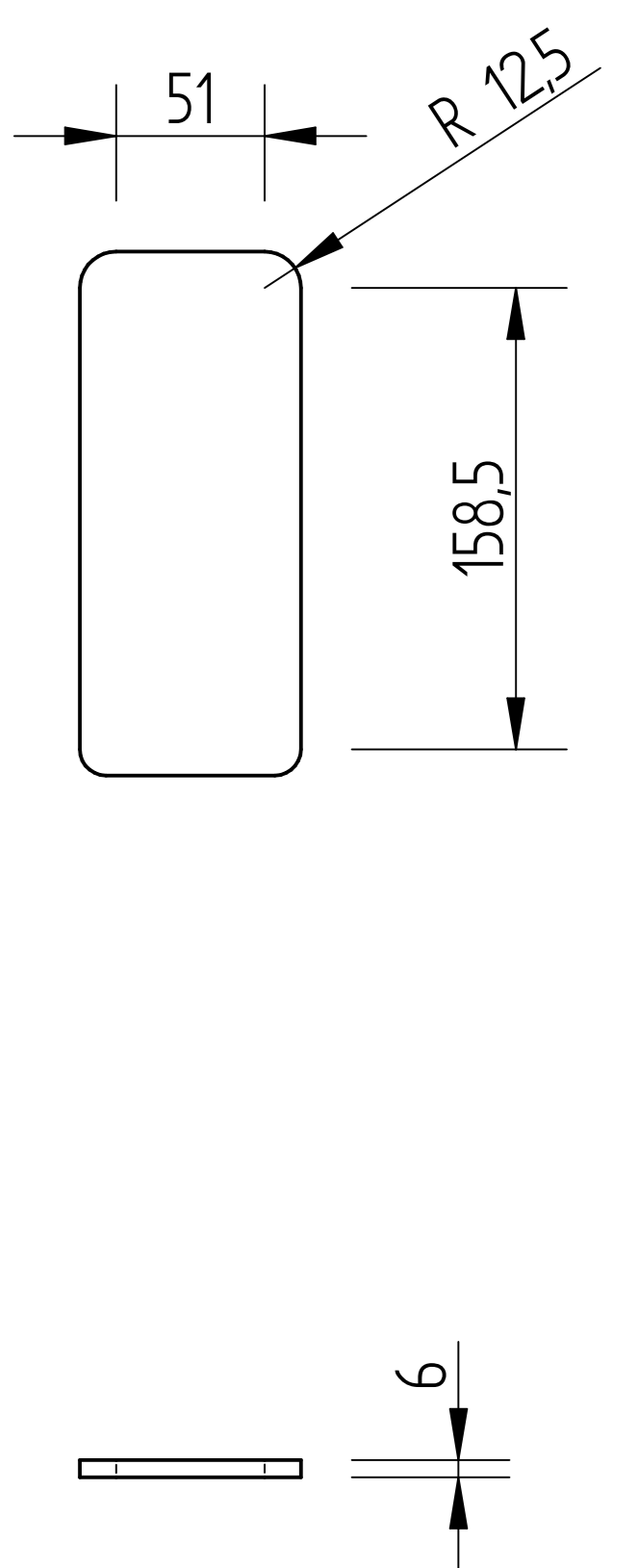
Derrick support gusset



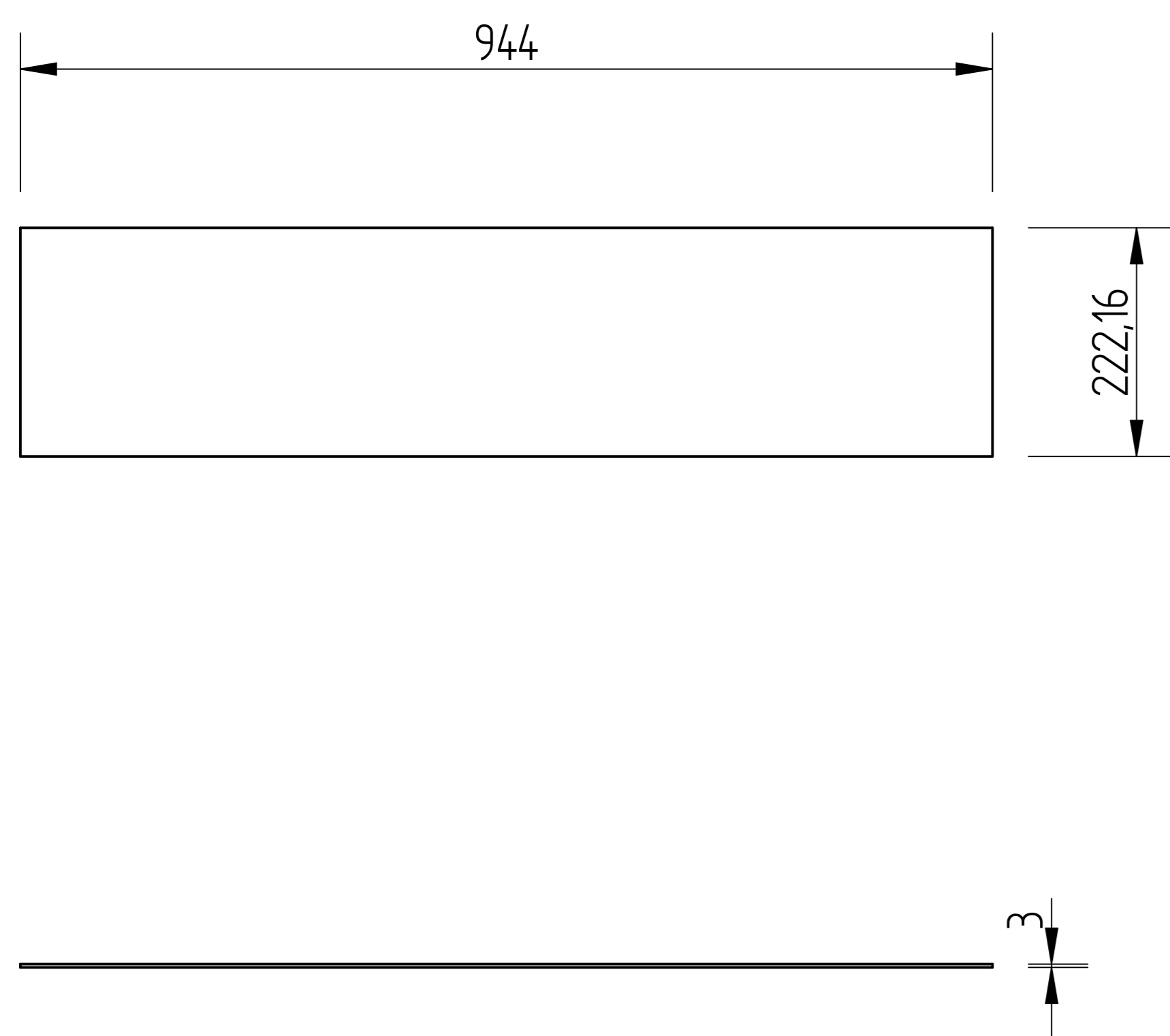
Derrick support end plate



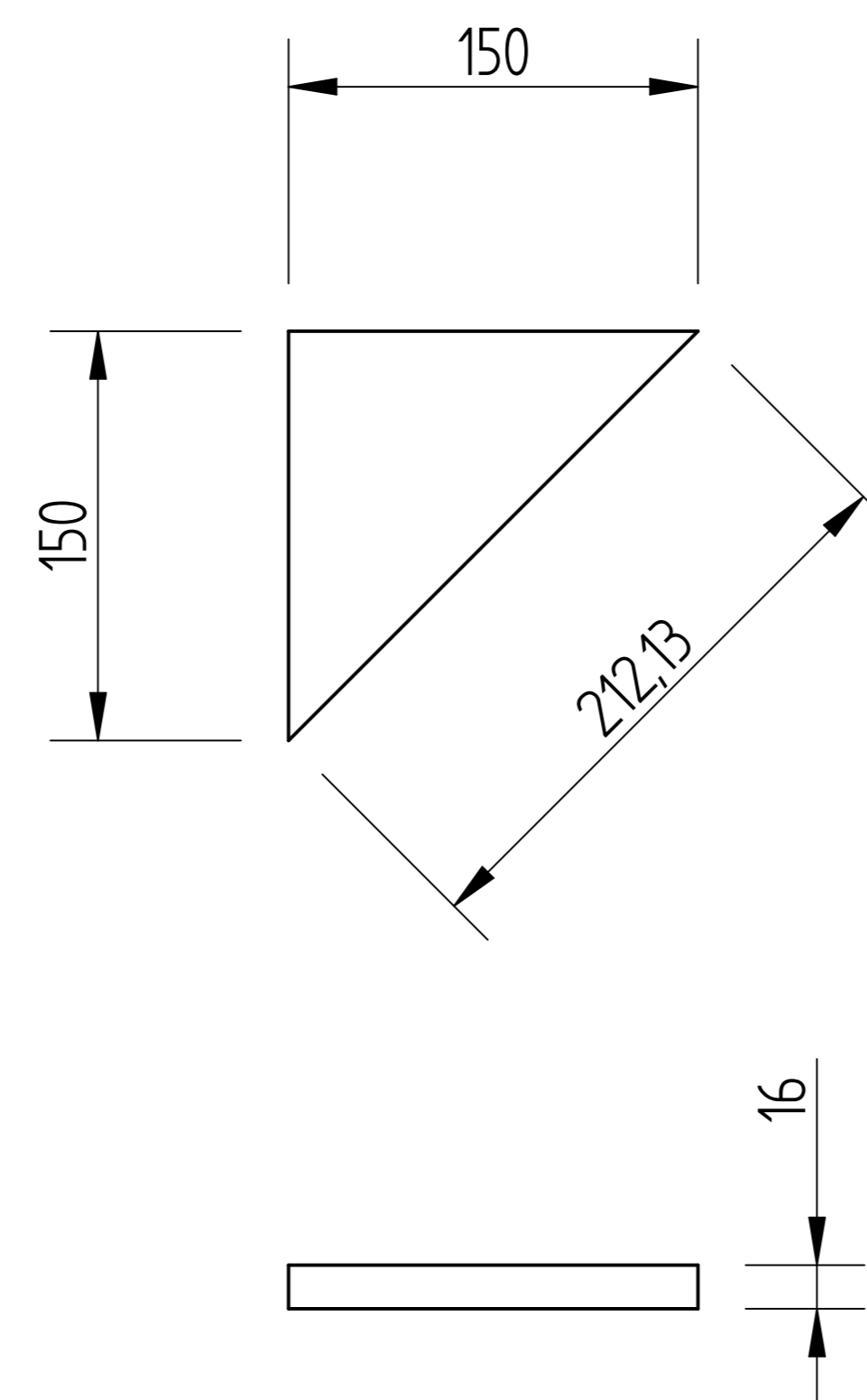
Derrick hinges



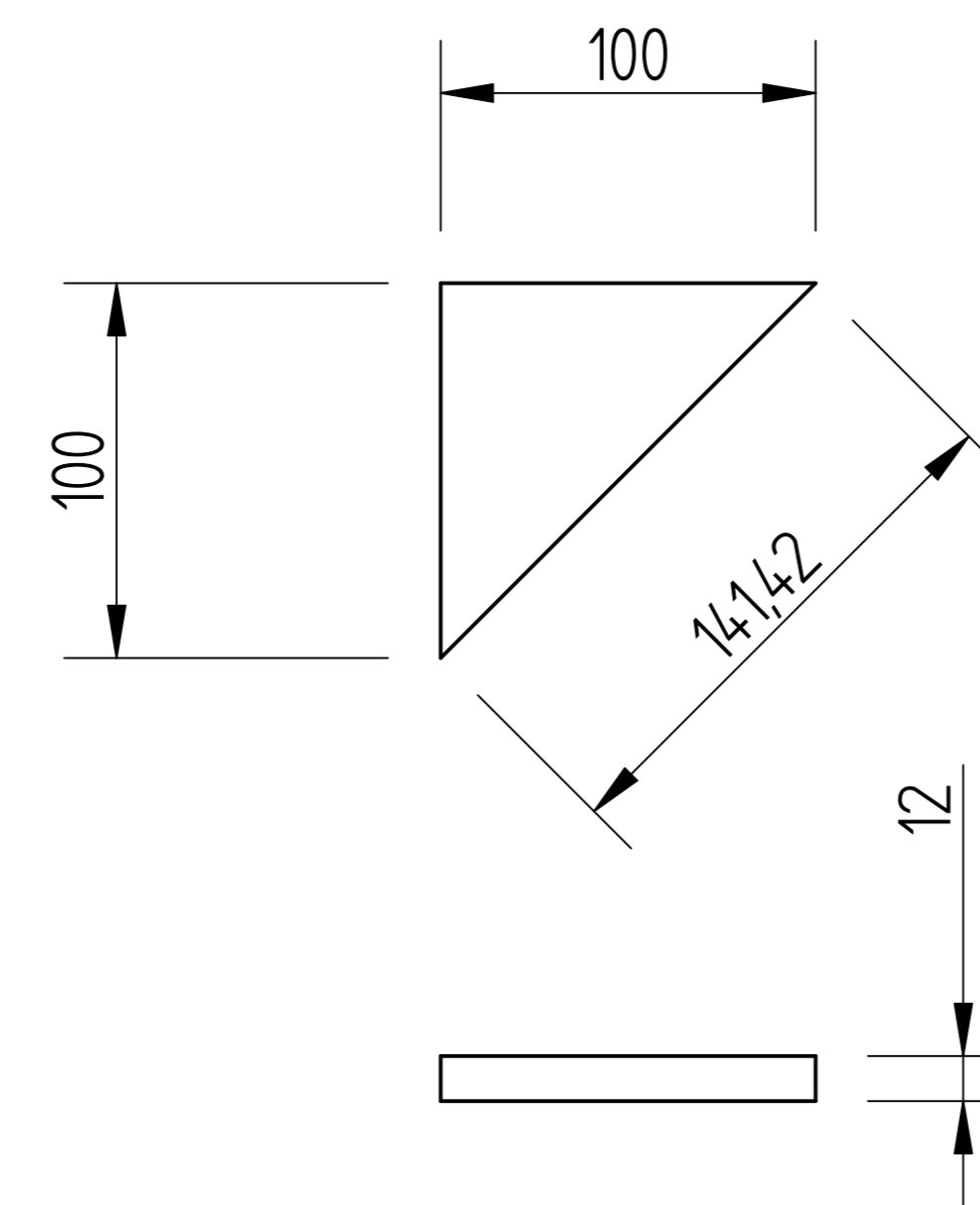
Derrick front support end plate



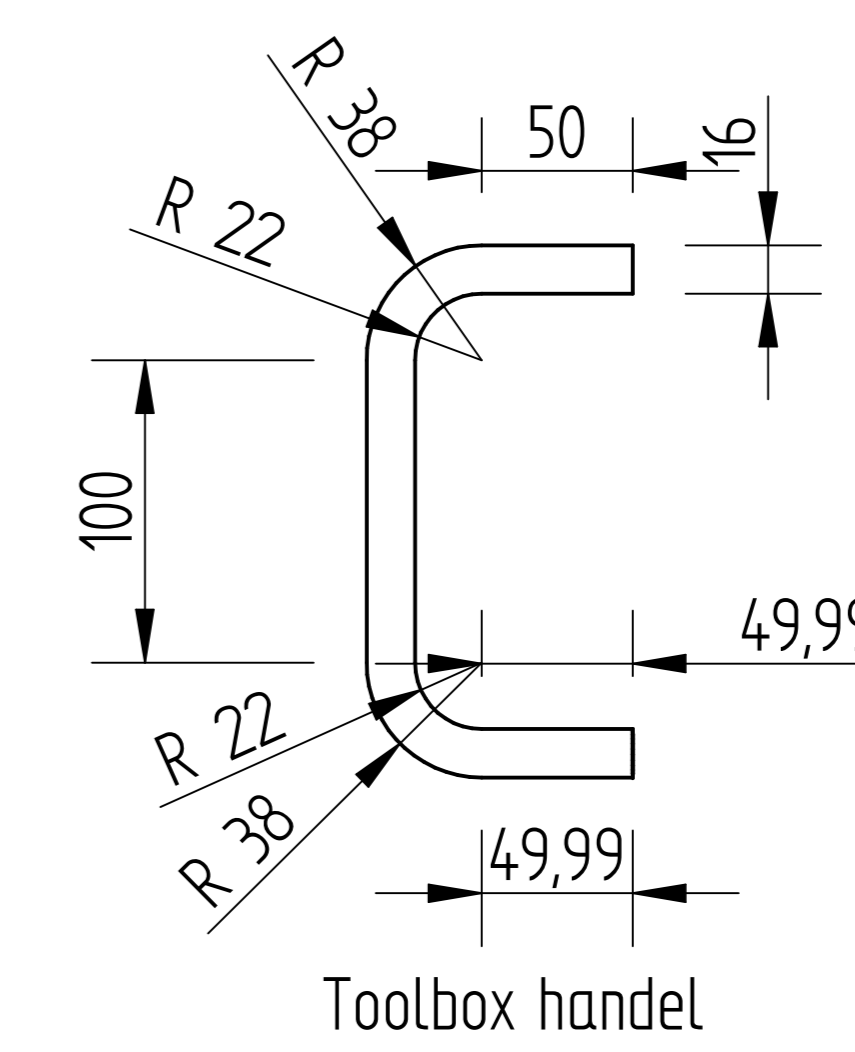
Wire line cover



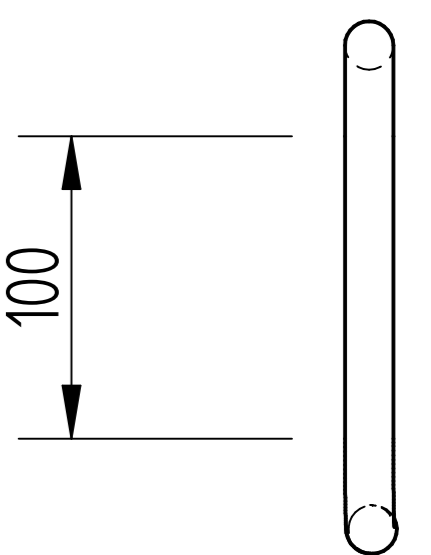
Derrick front support gusset B



Derrick front support gusset A



Toolbox handle



NAME	DATE	TITLE
DRAWN: Owner	01/28/13	EQUAL CHANCE TRADING 50
CHECKED:		
ENG APPR:		
MGR APPR:		
UNLESS OTHERWISE SPECIFIED: DIMENSIONS ARE IN MILLIMETERS ANGLES = 0.1°		SIZE: DWG NO: 1440-CS-000 REV: A
2 Pl. = 0.02 3 Pl. = 0.005		FILE NAME: Derrick pedestals and supports 1440.dft SCALE: WEIGHT: SHEET 4 OF 4