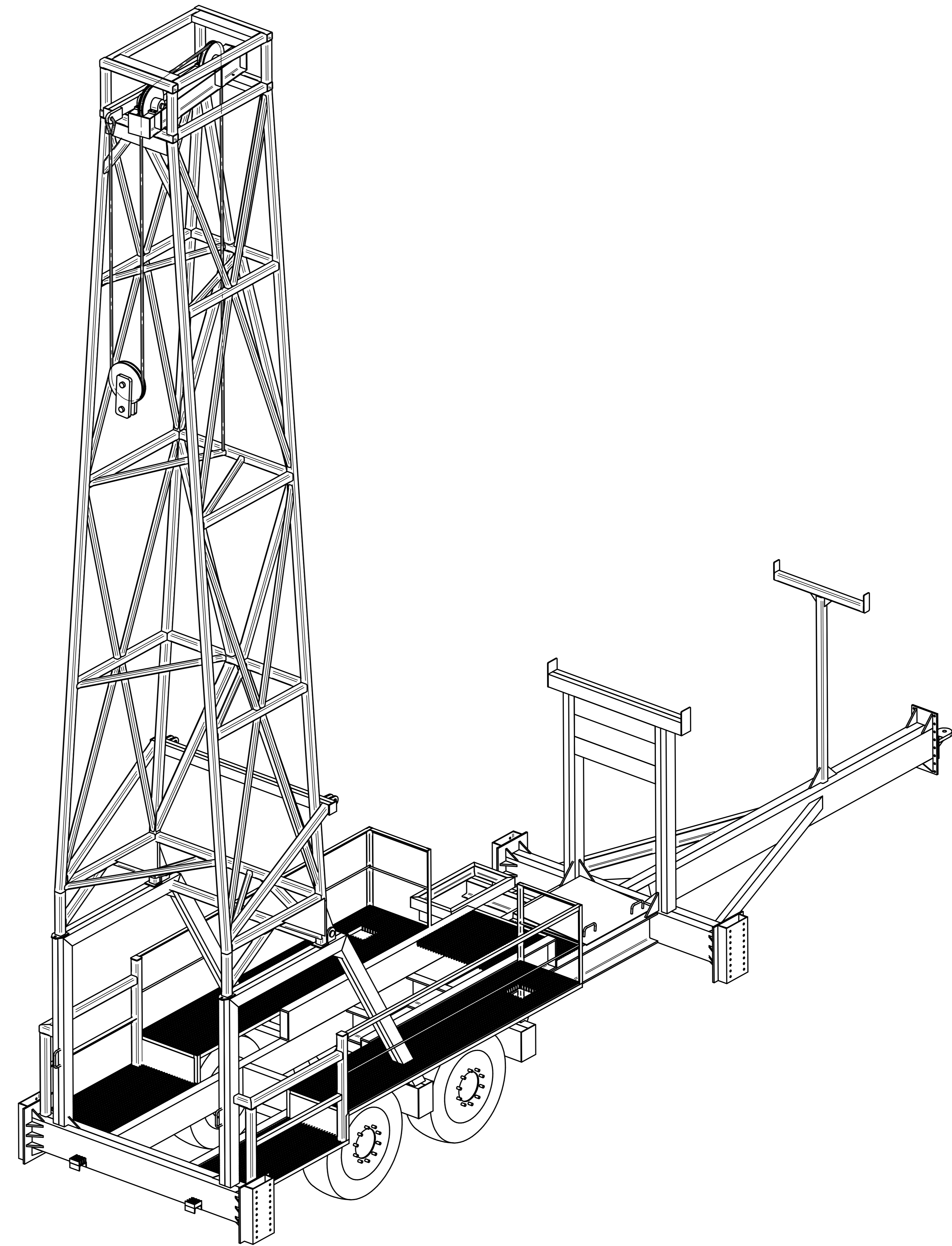
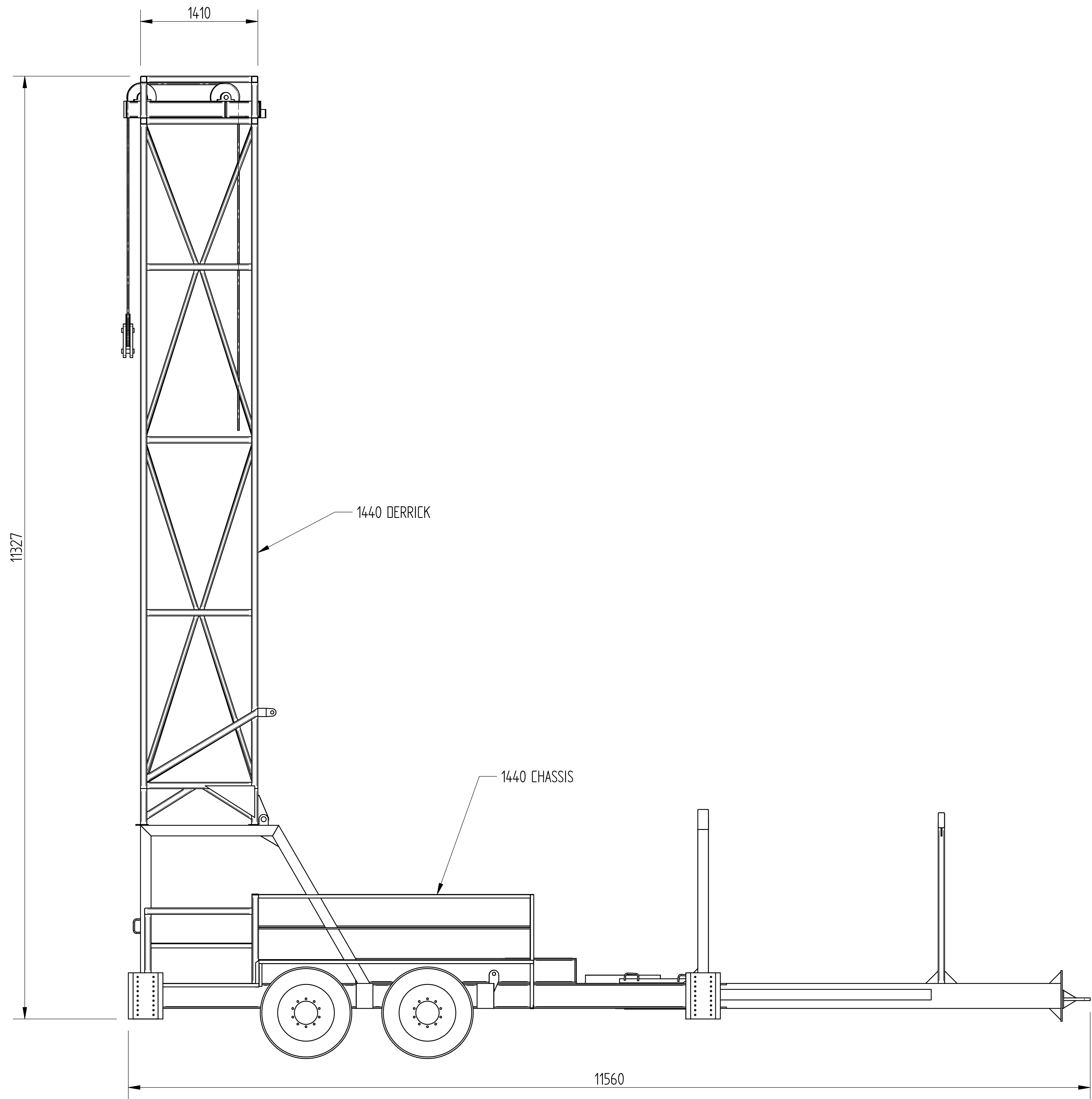


1440 DRILL RIG
DERRICK DOWN



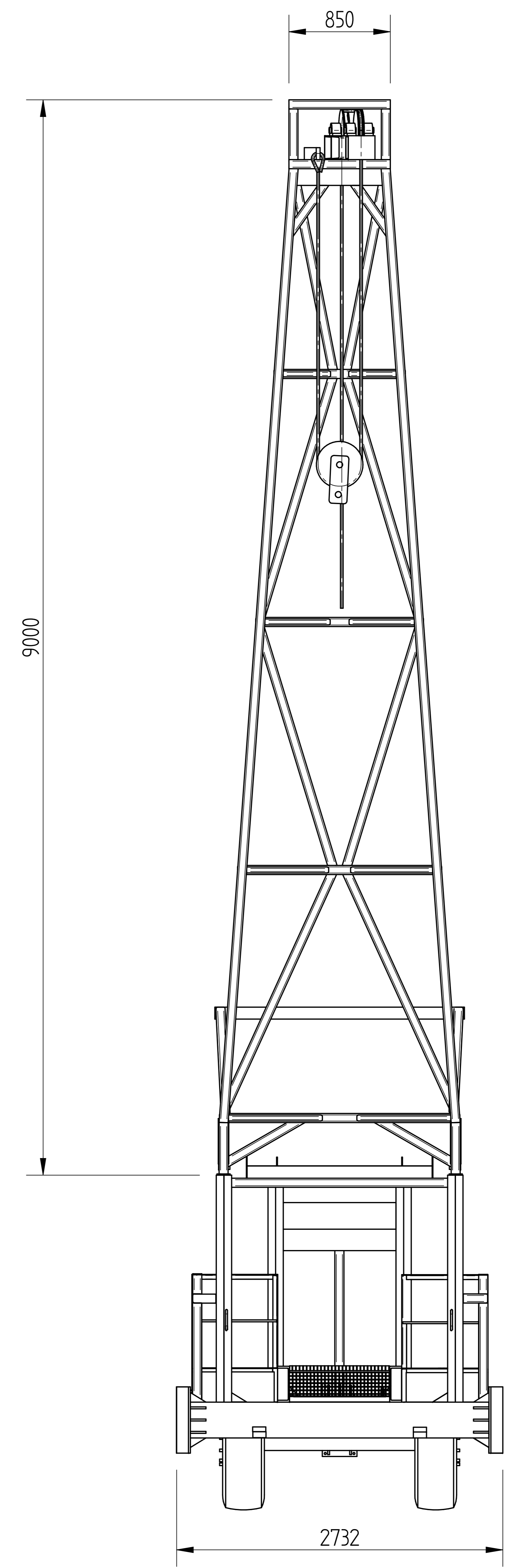
1440 DRILL RIG
DERRICK UP

| NAME | DATE | EQUAL CHANCE TRADING 50 | |
|--|----------|-------------------------------|----------------|
| DRAWN: DLG | 02/06/13 | TITLE | 1440 DRILL RIG |
| CHECKED: | | SIZE: DWG NO | REV |
| ENG APPR: | | AD | 1400 |
| MGR APPR: | | FILE NAME: 1440 Drill Rig.dwg | A |
| UNLESS OTHERWISE SPECIFIED: DIMENSIONS ARE IN MILLIMETERS | | SCALE | WEIGHT |
| ANGLES = 90° | | SHEET 1 OF 4 | |
| 2 PL = 0.02 3 PL = 0.005 | | | |



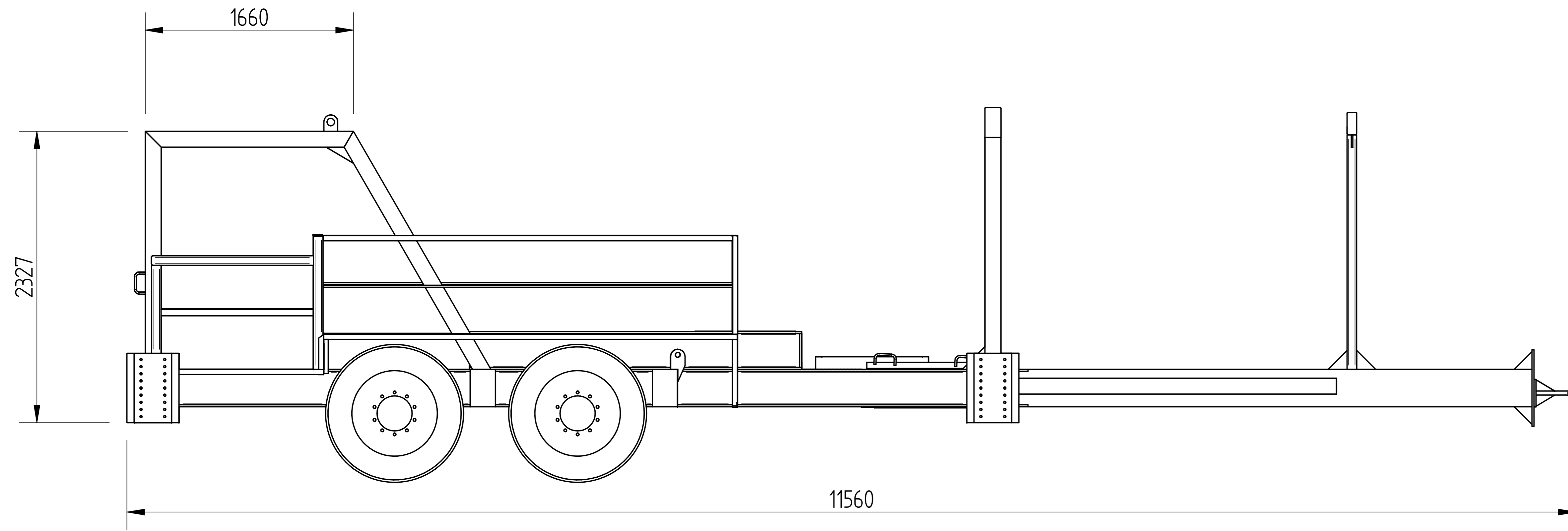
SIDE VIEW

1440 DRILL RIG

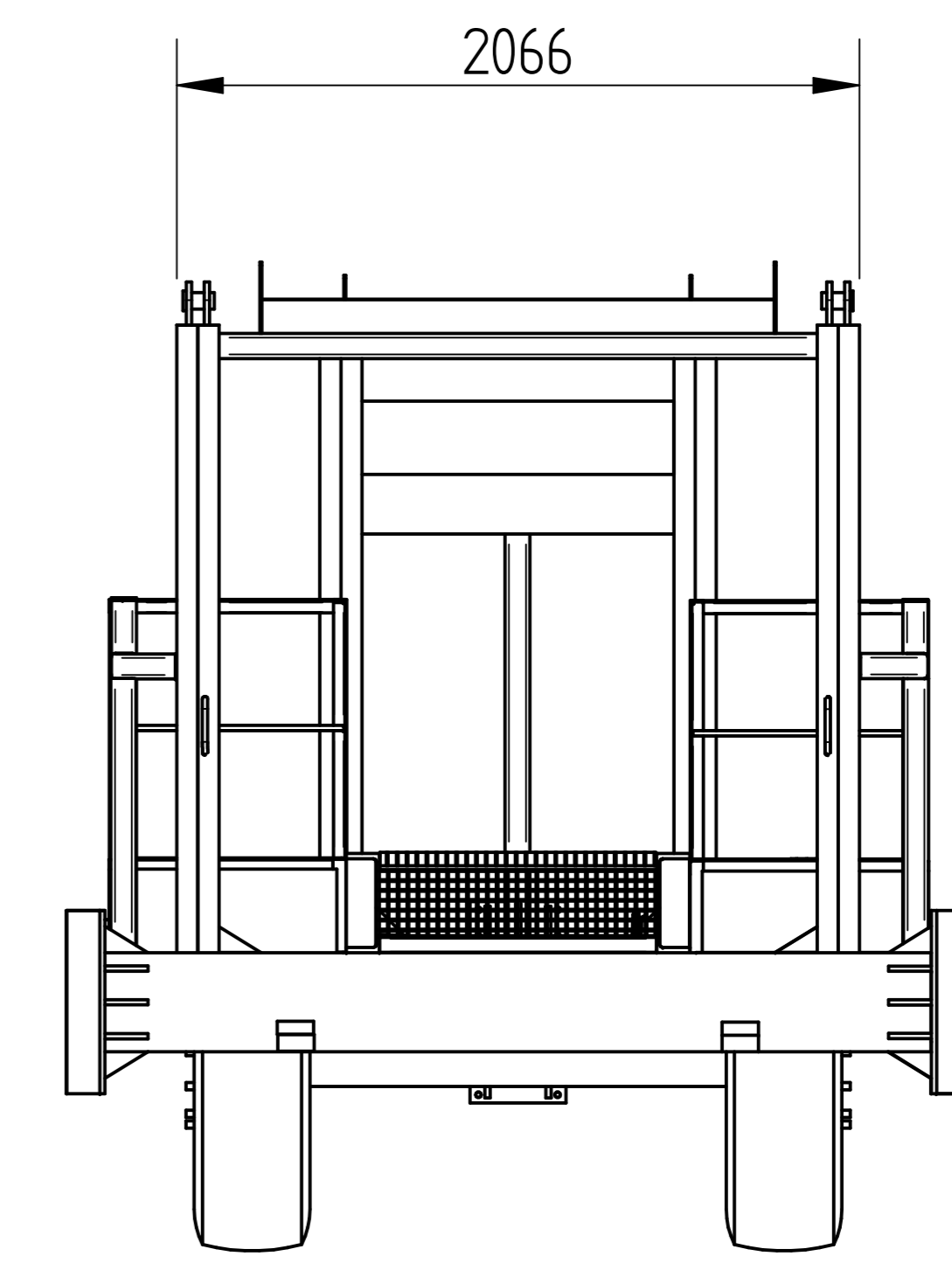


BACK VIEW

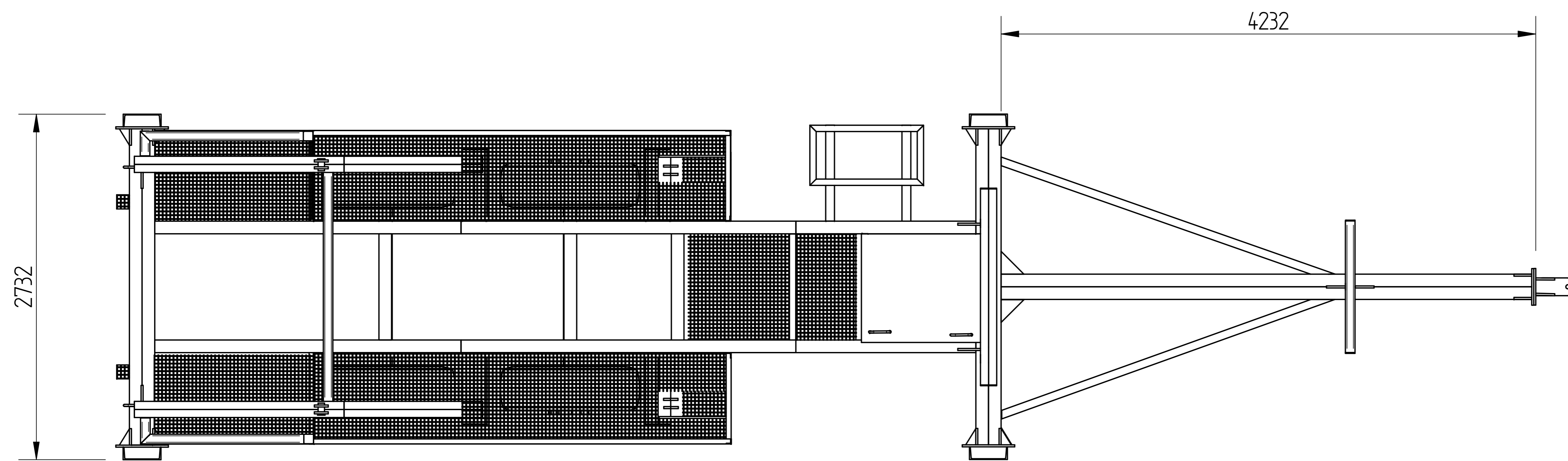
| NAME | DATE | EQUAL CHANCE TRADING 50 | |
|--|----------|-------------------------------|----------------|
| DRAWN: DLG | 02/06/13 | TITLE | 1440 DRILL RIG |
| CHECKED: | | SIZE: DWG NO | REV |
| ENG APPR: | | AD | A |
| MGR APPR: | | FILE NAME: 1440 Drill Rig.dwg | |
| UNLESS OTHERWISE SPECIFIED: DIMENSIONS ARE IN MILLIMETERS | | SCALE | WEIGHT |
| ANGLES = 0.1° | | | SHEET 2 OF 4 |
| 2 PL = 0.02 3 PL = 0.005 | | | |



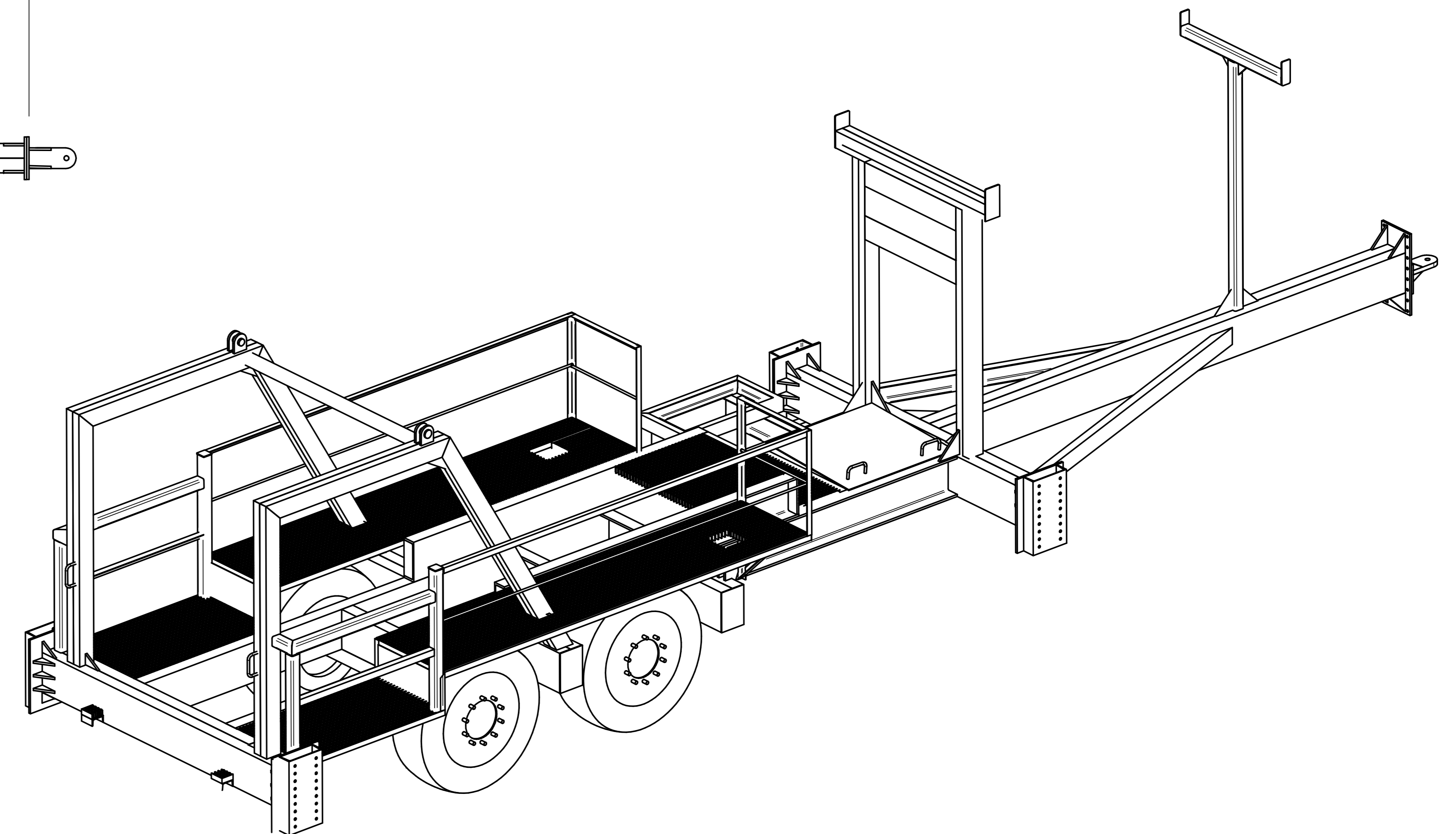
SIDE VIEW



BACK VIEW

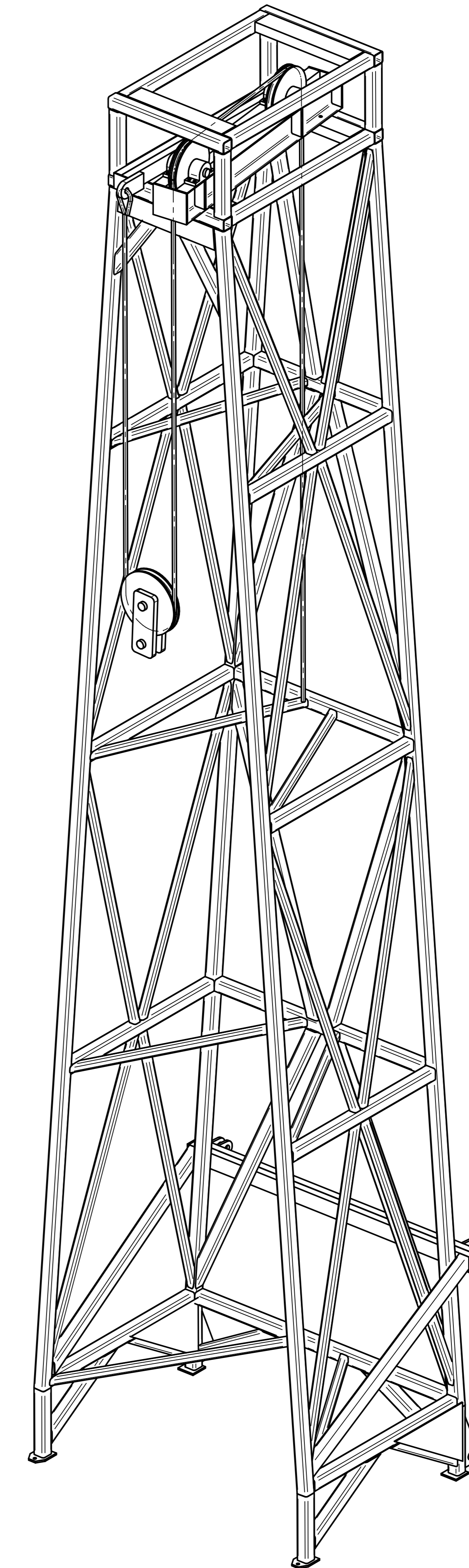
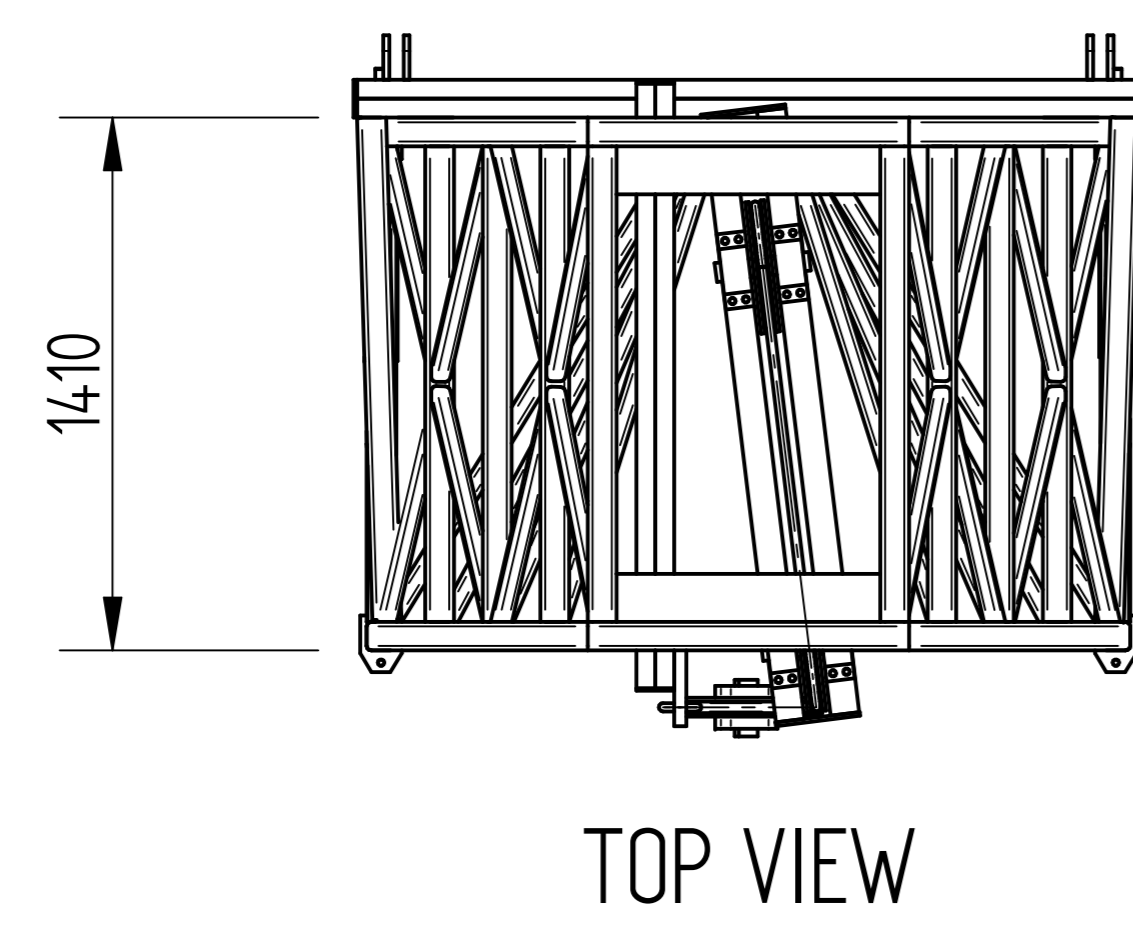
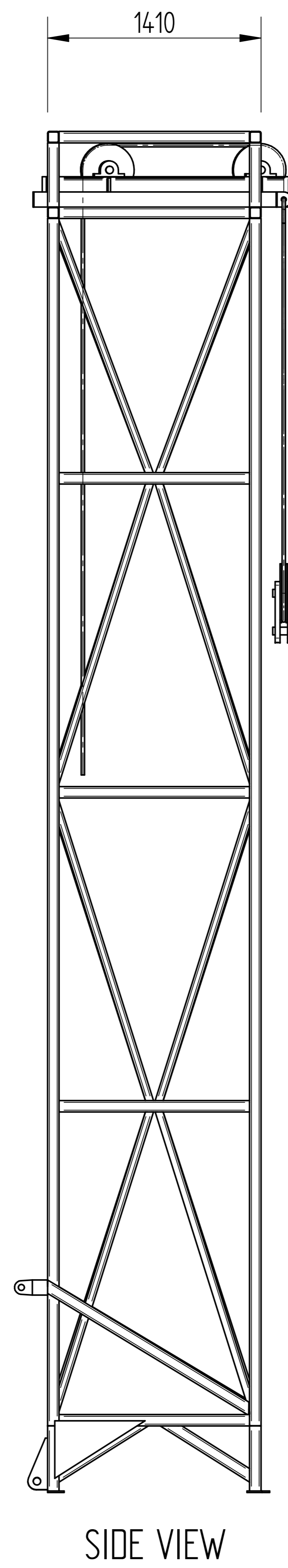
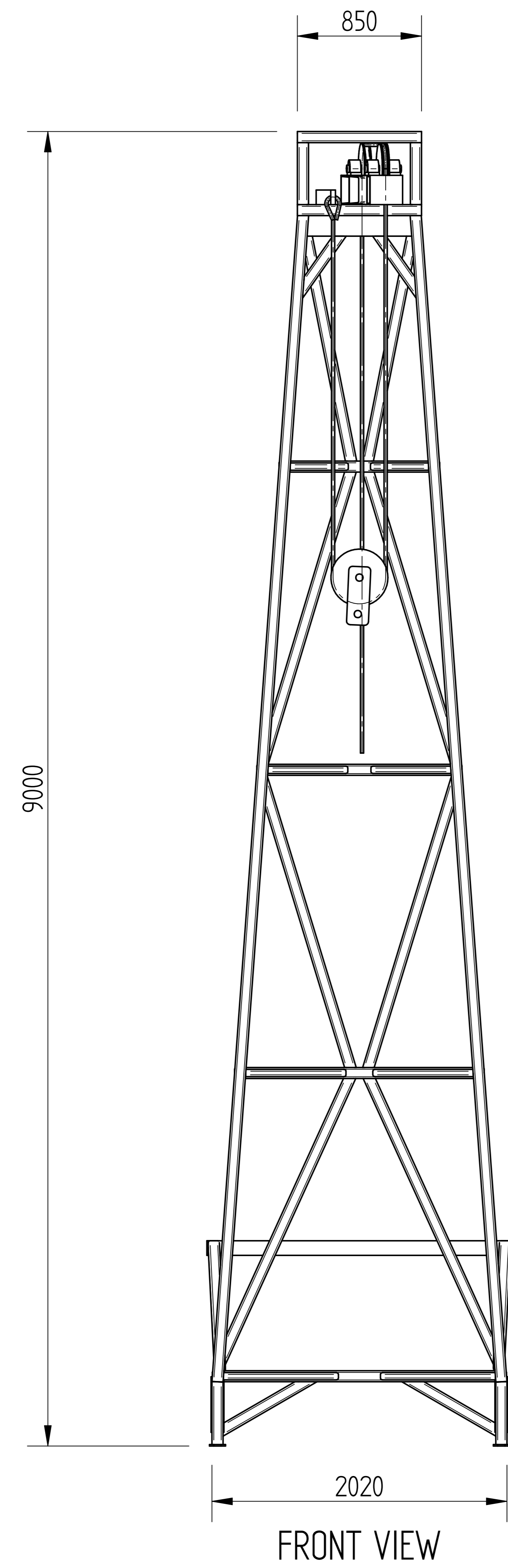


TOP VIEW



1440 CHASSIS
1440-C-000

| NAME | DATE | EQUAL CHANCE TRADING 50 | | |
|-------------------------------|----------|-------------------------|--------------------|--------------|
| DRAWN: DLG | 02/06/13 | TITLE | 1440 DRILL RIG | |
| CHECKED: | | SIZE | DWG NO | REV |
| ENG APPR: | | AD | 1400 | A |
| MGR APPR: | | FILE NAME | 1440 Drill Rig.dwg | |
| UNLESS OTHERWISE SPECIFIED | | SCALE | WEIGHT | SHEET 3 OF 4 |
| DIMENSIONS ARE IN MILLIMETERS | | | | |
| ANGLES = 0.1° | | | | |
| 2 PL = 0.02 3 PL = 0.005 | | | | |



1440 DERRICK
1440-D-000

| NAME | DATE | EQUAL CHANCE TRADING 50 | |
|--|----------|-------------------------------|----------------|
| DRAWN: DLG | 02/06/13 | TITLE | 1440 DRILL RIG |
| CHECKED: | | SIZE: DWG NO | REV |
| ENG APPR: | | AD | A |
| MGR APPR: | | FILE NAME: 1440 Drill Rig.dwg | |
| UNLESS OTHERWISE SPECIFIED: DIMENSIONS ARE IN MILLIMETERS | | SCALE | WEIGHT |
| ANGLES = 90° | | | SHEET 4 OF 4 |
| 2 PL = 0.02 3 PL = 0.005 | | | |