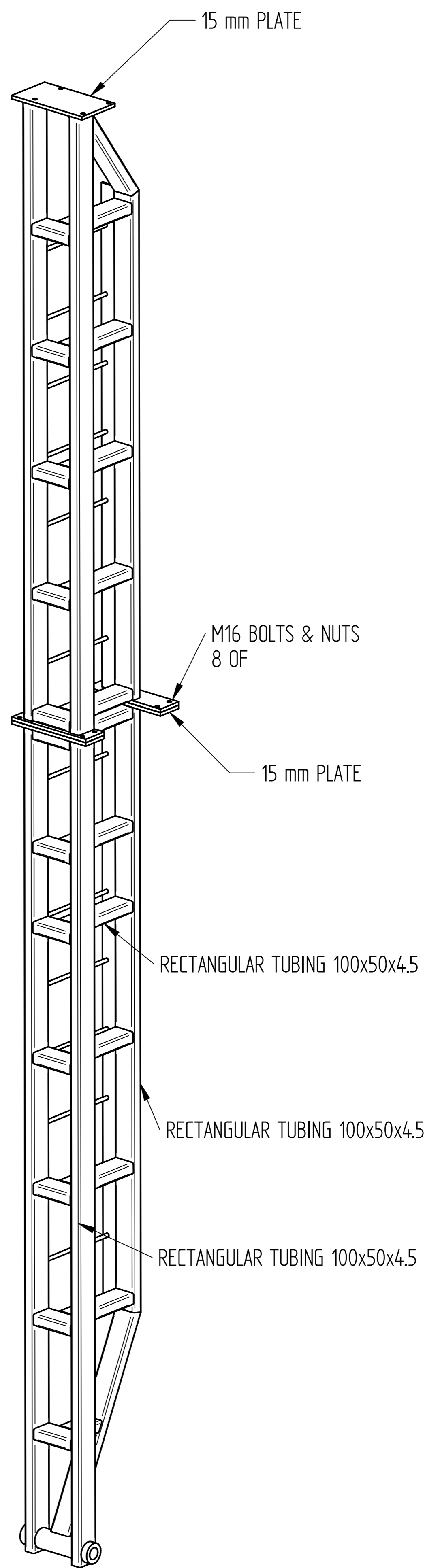
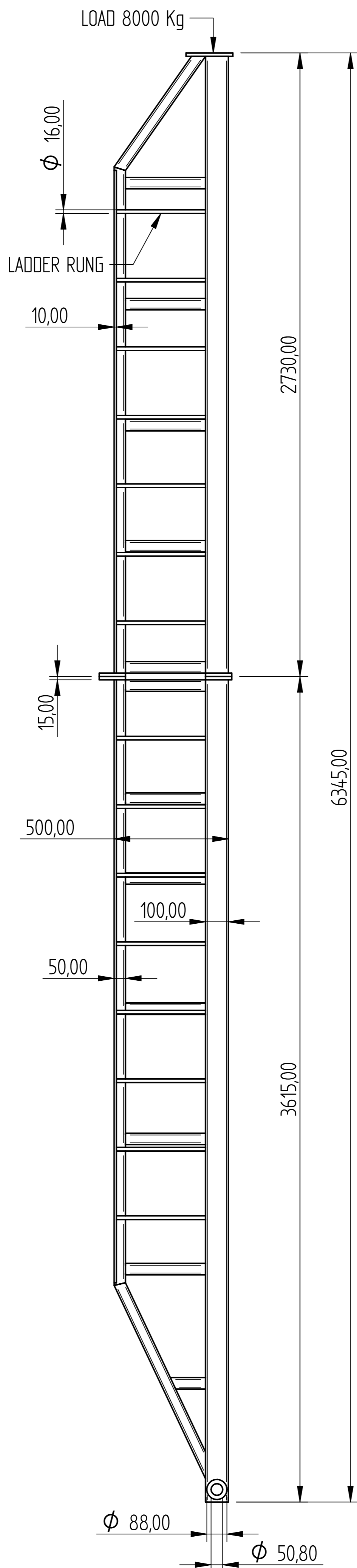
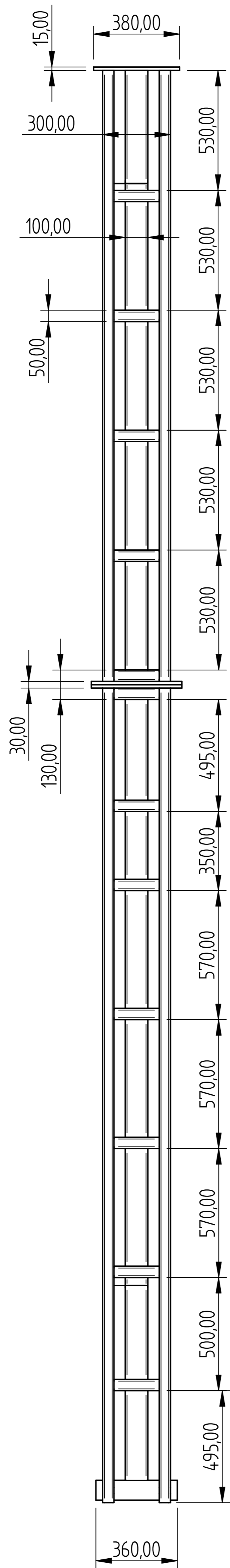


REVISION HISTORY			
REV	DESCRIPTION	DATE	APPROVED



MATERIAL: SABS 1431 GRADE S355JR
ALL WELDING 10mm FILLET

DRAWN	NAME	DATE	EQUAL CHANCE TRADING 50	
APPROVED	D.L.G.	01/28/13	TITLE	
MATERIAL			1400 DERRICK FRAME	
TREATMENT			SIZE	REV
UNLESS OTHERWISE SPECIFIED DIMENSIONS ARE IN MILLIMETERS			A1	A
ANGLES ±0.1°			DWG NO	1400-D-000
1:1 SCALE			FILE NAME:	Derrick Frame 1400.dft
2 PL ±0.02 3 PL ±0.005			SCALE:	WEIGHT:
			SHEET 1 OF 1	