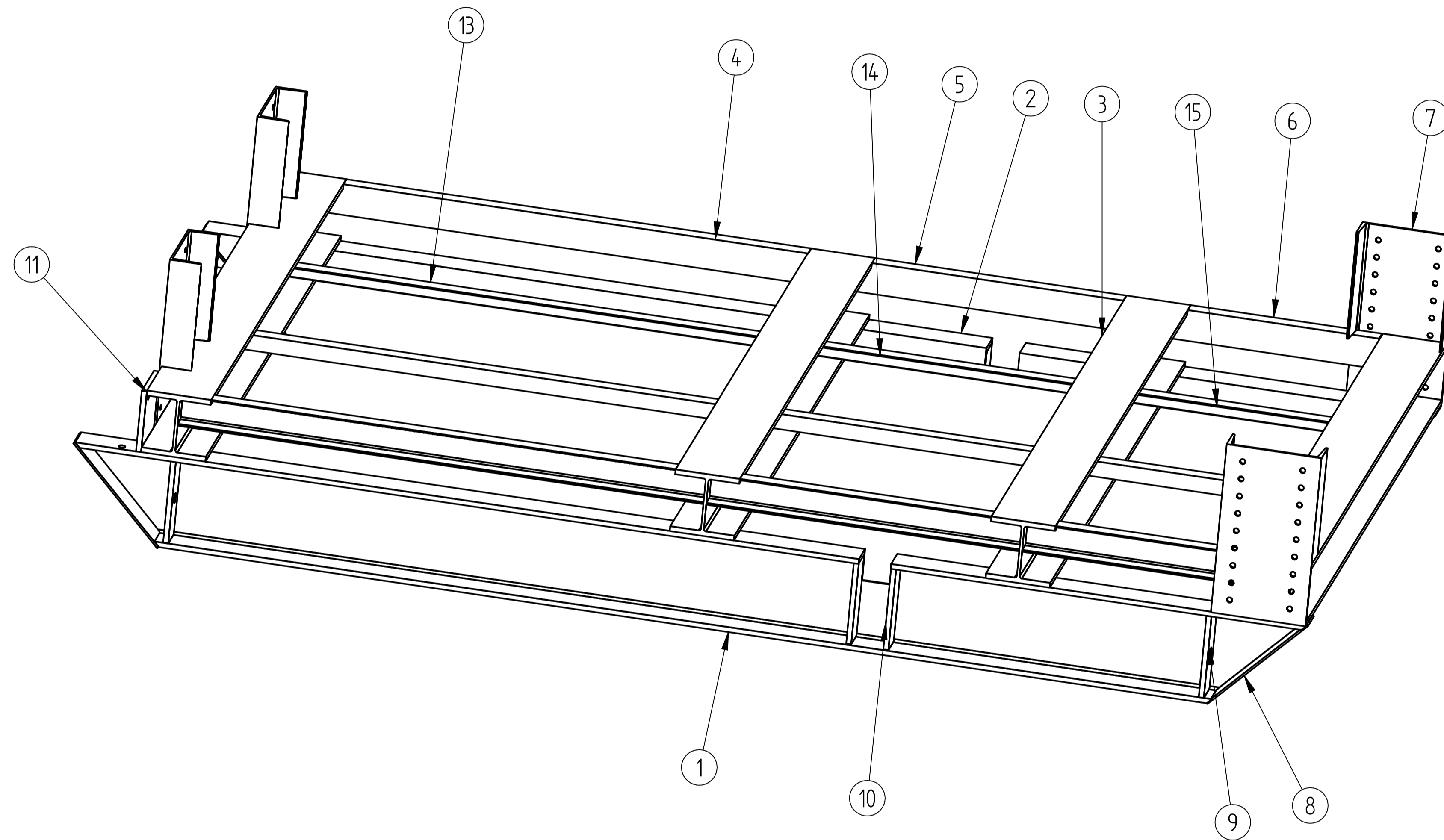


1400 Chassis  
 DOC No 1400-C-000

Item Number	Document Number	Title
1		
2		Channel DIN 1026 - U 80
3	1400-CC-000	Chassis Subassembly
4	1400-CD-000	Drawbar
5	1400-CF-000	Floor

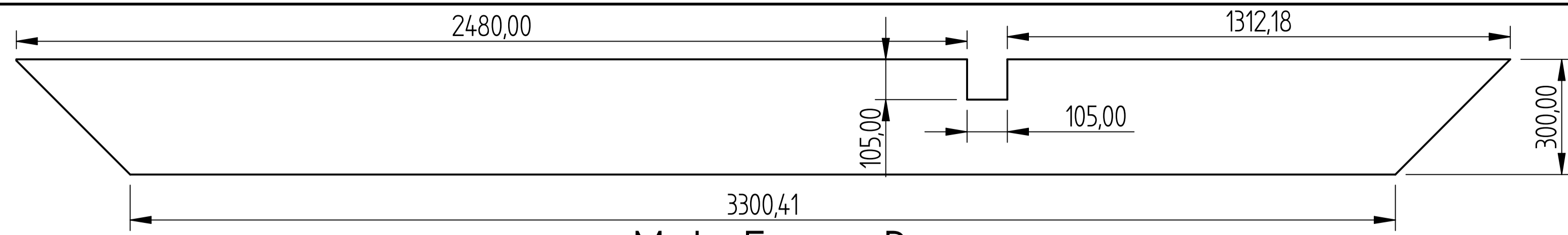
DRAWN	NAME	DATE	<b>EQUAL CHANCE TRADING 50</b>		
APPROVED	A.J.Davey	01/28/13			
MATERIAL			TITLE		
TREATMENT			1400 Chassis		
UNLESS OTHERWISE SPECIFIED DIMENSIONS ARE IN MILLIMETERS ANGLES ±0.1°			SIZE	DWG NO	REV
1 OF 5			A1	1400-C1-000	0
2 PL ±0.02 3 PL ±0.005			FILE NAME	1400 Chassis.dft	
SCALE:			WEIGHT:	SHEET 1 OF 5	



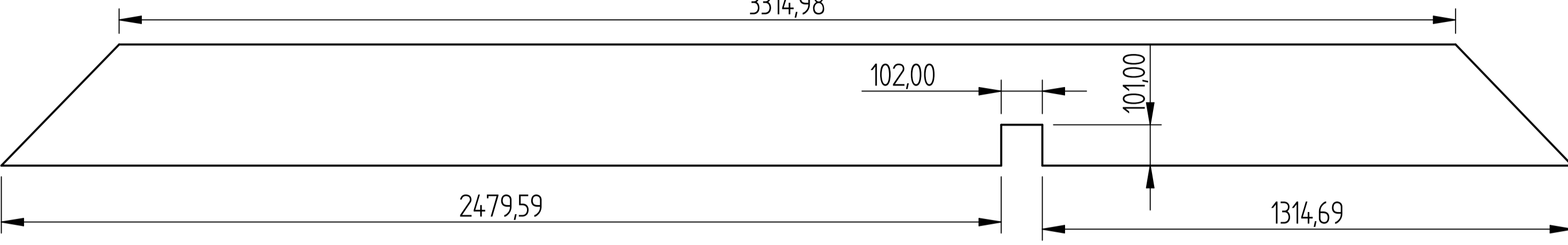
Chassis Subassembly  
1400-CC-000

Item Number	Document Number	Title	Material	Quantity
1	1400-CC-001-L	Main Frame A	Steel	1
2	1400-CC-001-R	Main Frame B	Steel	1
3	1400-CC-002	Main frame supports	Steel	4
4	1400-CC-003	Floor support A	Steel	2
5	1400-CC-004	Floor support B	Steel	2
6	1400-CC-005	Floor support C	Steel	2
7	1400-CC-006	Landing leg support	Steel	4
8	1400-CC-007	End plate	Steel	4
9	1400-CC-008	Channel support B	Steel	4
10	1400-CC-009	Channel support A	Steel	4
11	1400-CC-010	Drawbar mounting plate A	Steel	2
12	1400-CC-012	Gusset	Steel	8
13	1400-CC-013	Floor support D	Steel	2
14	1400-CC-014	Floor support E	Steel	2
15	1400-CC-015	Floor support F	Steel	2
16	1400-CD-012	Drawbar mounting plate B	Steel	1

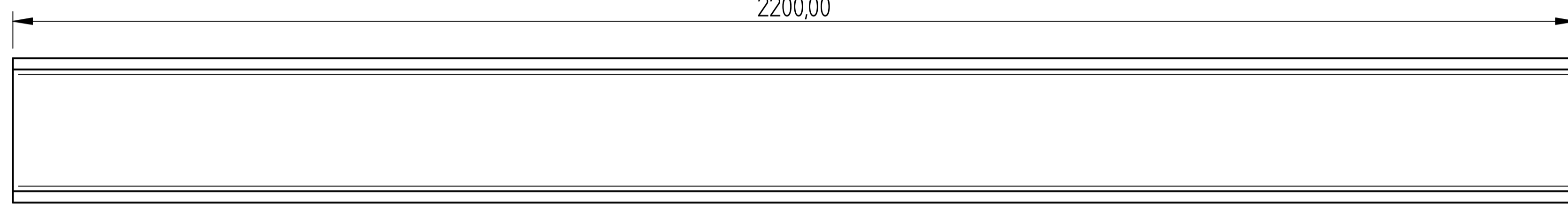
DRAWN	NAME	DATE	<b>EQUAL CHANCE TRADING 50</b>		
APPROVED	A.J.Davey	01/28/13	TITLE		
MATERIAL			1400 Chassis		
TREATMENT			SIZE	DWG NO	REV
UNLESS OTHERWISE SPECIFIED DIMENSIONS ARE IN MILLIMETERS ANGLES ±0.1°			A1	1400-C1-000	0
2 PL ±0.02 3 PL ±0.005			FILE NAME:	1400 Chassis.dft	
SCALE:			WEIGHT:	SHEET 2 OF 5	



Main Frame B



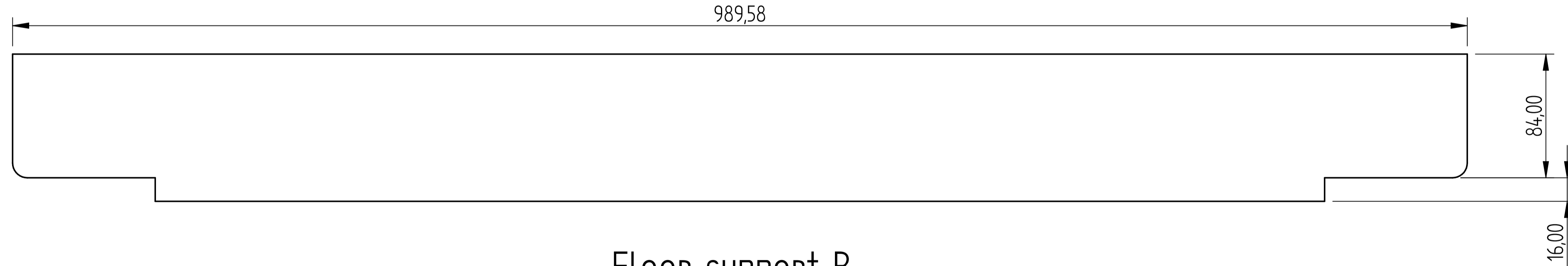
Main Frame A



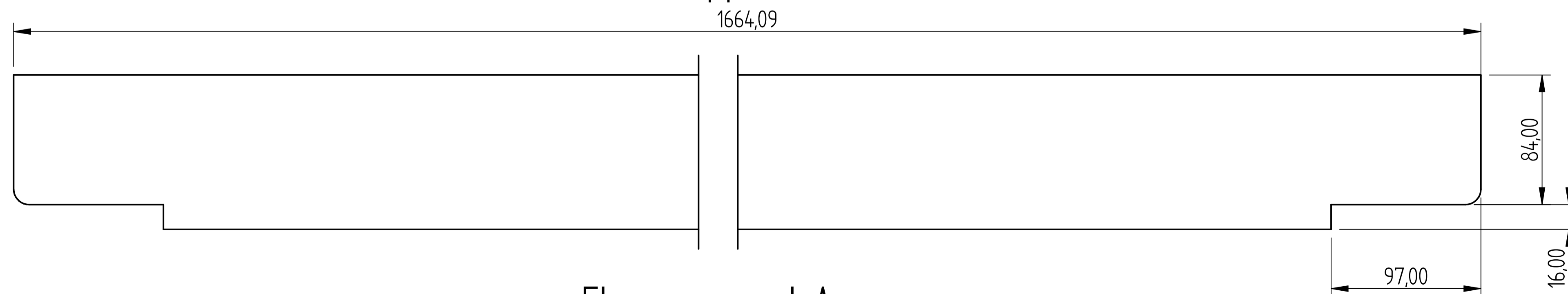
Main frame supports



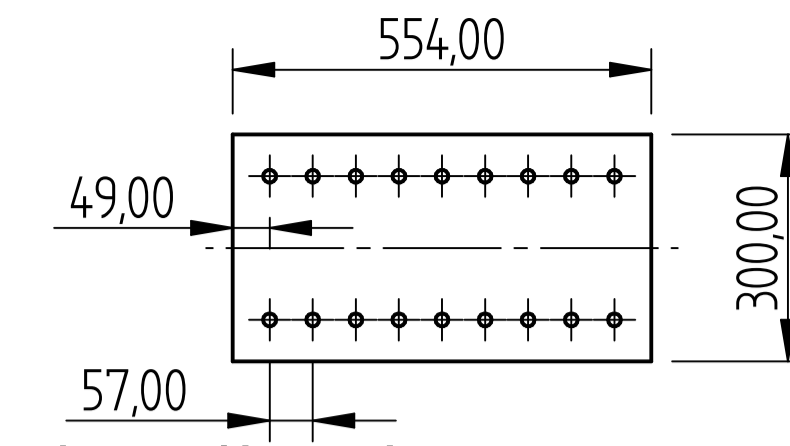
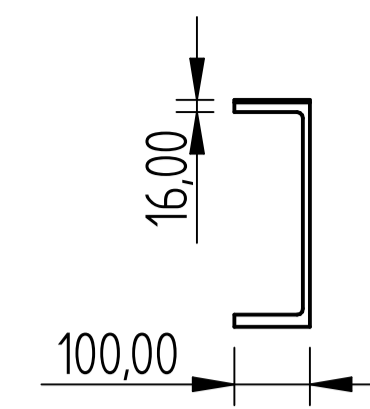
Floor support C



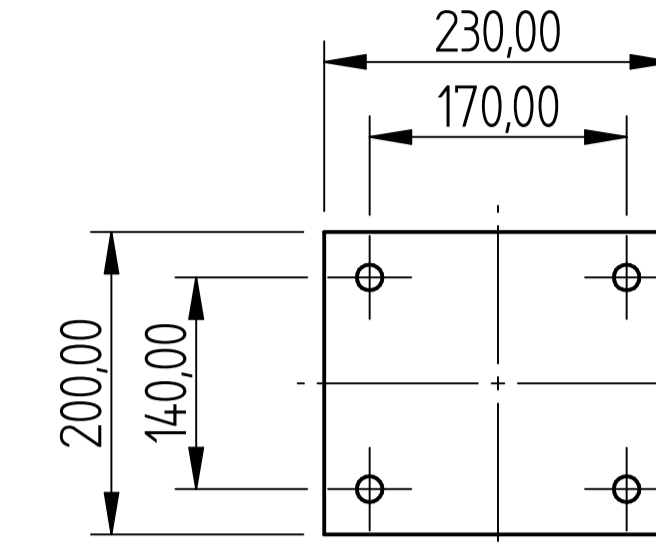
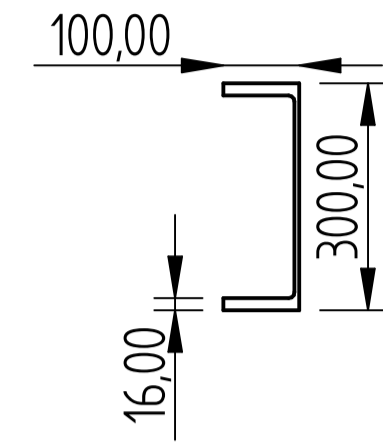
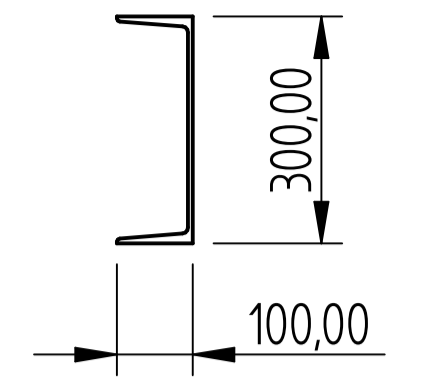
Floor support B



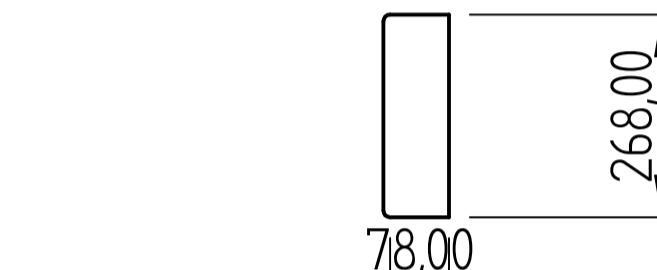
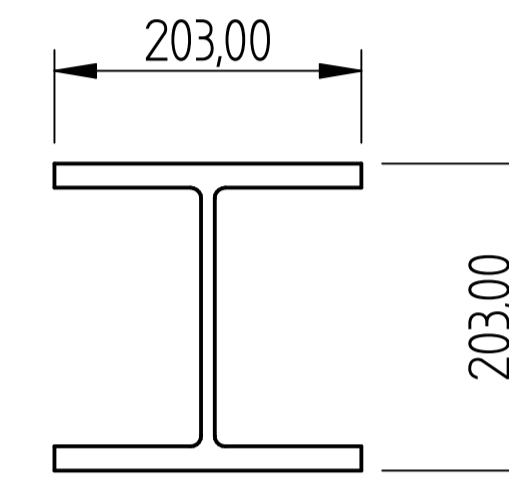
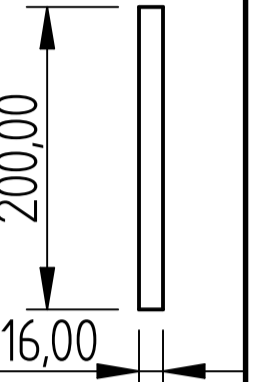
Floor support A



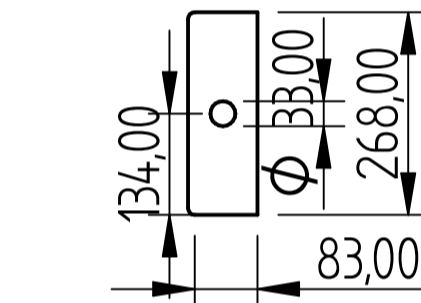
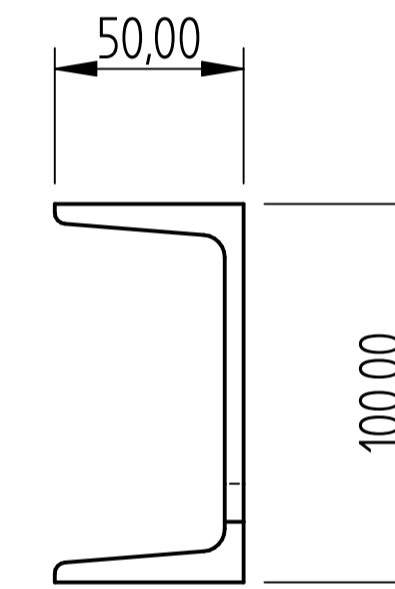
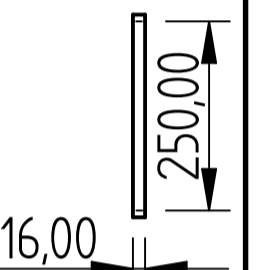
Landing leg support



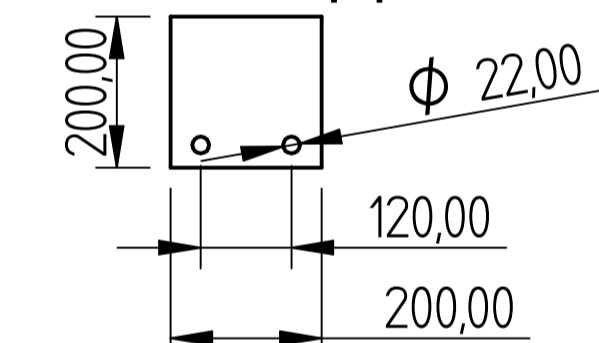
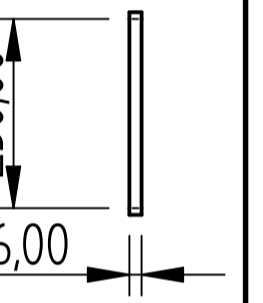
Drawbar mounting plate B



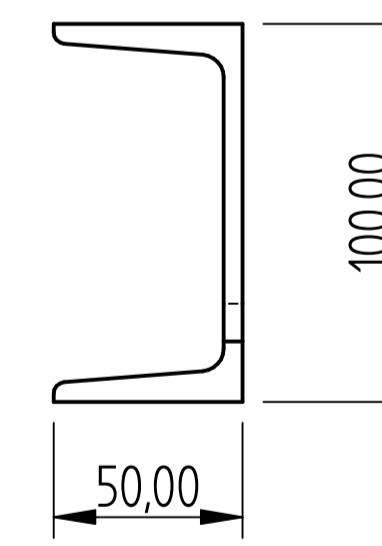
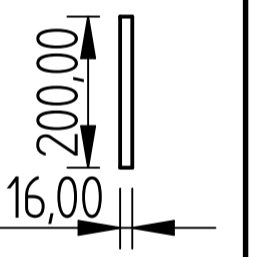
Channel support A



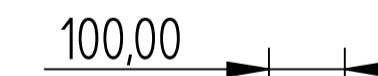
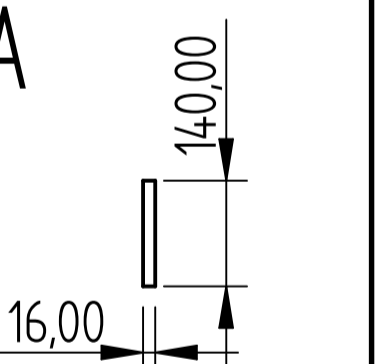
Channel support B



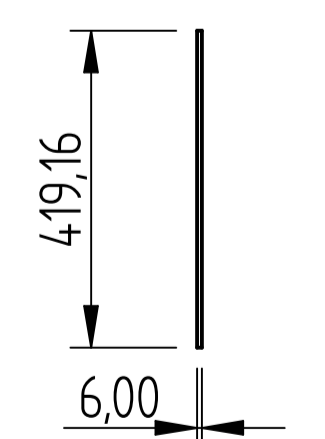
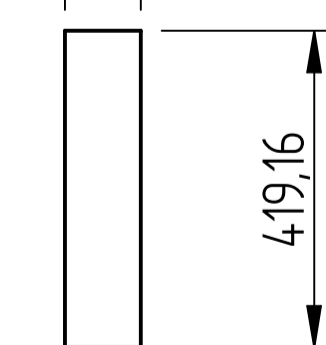
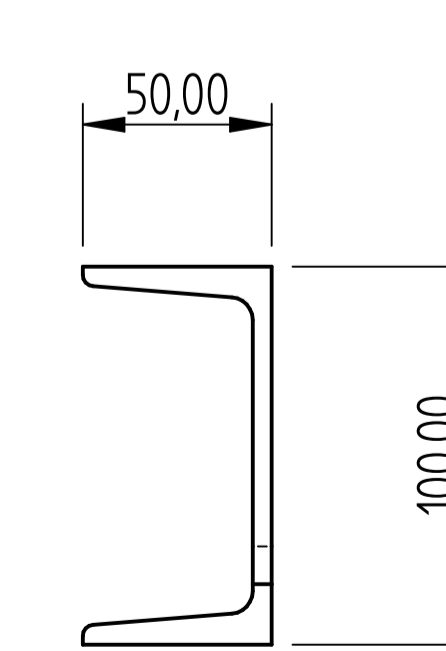
Drawbar mounting plate A



Gusset

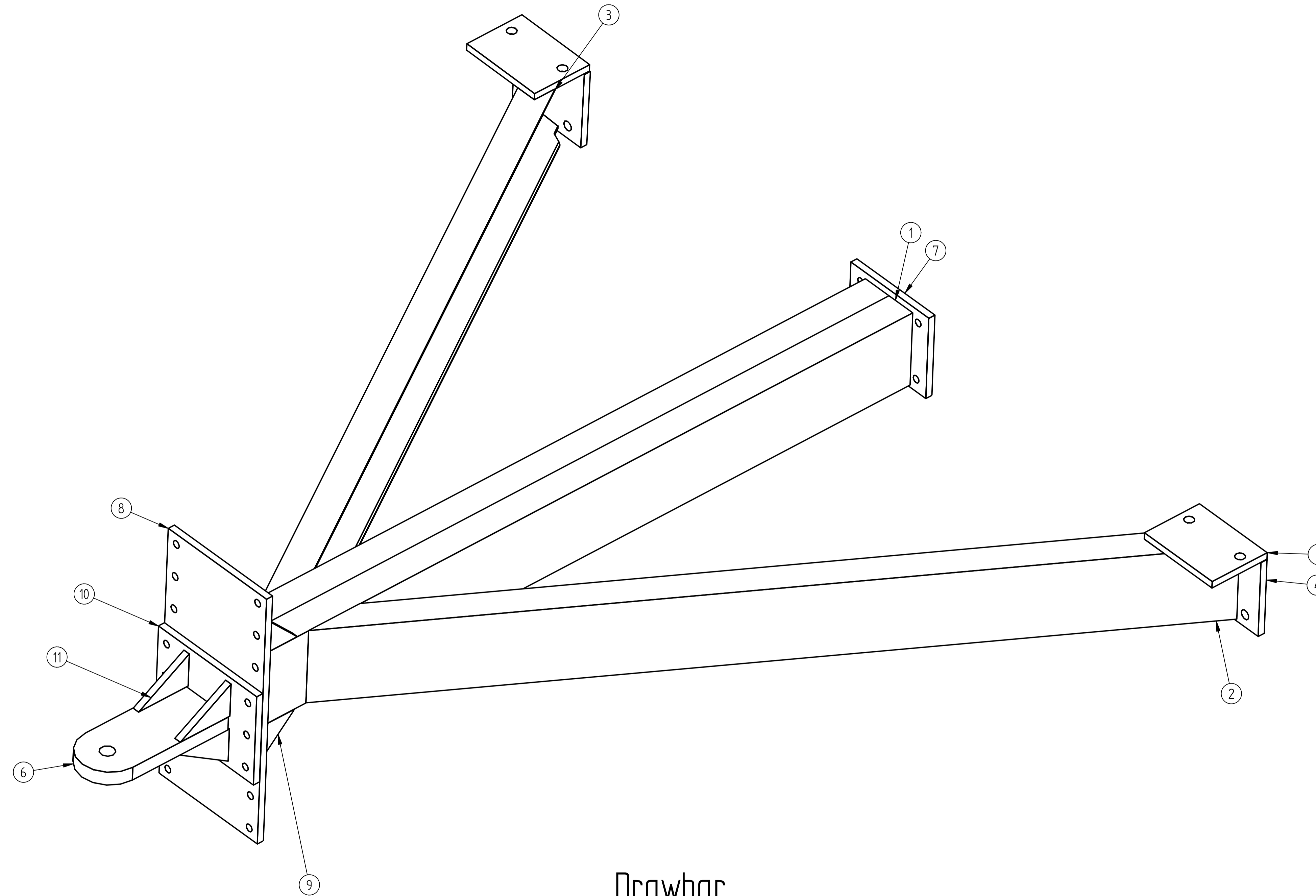


End plate



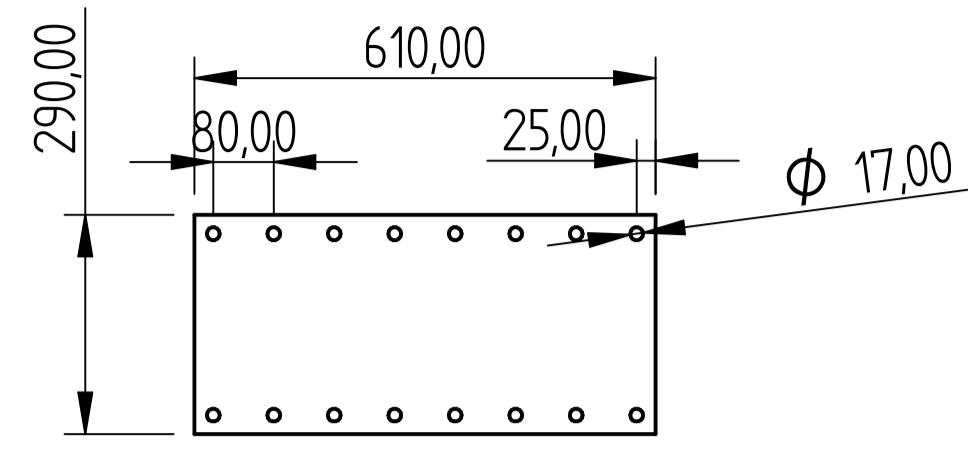
NAME	DATE	EQUAL CHANCE TRADING 50	
DRAWN A.J.Davey	01/28/13	TITLE 1400 Chassis	
APPROVED		MATERIAL	
MATERIAL		TREATMENT	
UNLESS OTHERWISE SPECIFIED DIMENSIONS ARE IN MILLIMETERS ANGLES ±0.1°		SIZE A1	DWG NO 1400-C1-000
2 PL ±0.02 3 PL ±0.005		FILE NAME 1400 Chassis.dft	REV 0
SCALE		WEIGHT	SHEET 3 OF 5

Item Number	Document Number	Title	Comments	Quantity
1	1400-CD-001	Center support	Channel 180x70	2
2	1400-CD-002	Side support A	Channel 180x70	1
3	1400-CD-003	Side support B	Channel 180x70	1
4	1400-CD-004	Side support mounting plate	16mm plate	2
5	1400-CD-005	Side support top mounting plate	16mm plate	2
6	1400-CD-009	Tow hook	32mm plate	1
7	1400-CD-012	Drawbar mounting plate B	16mm plate	1
8	1440-CC-017	Tow hook mounting plate	16mm plate	1
9	1440-CC-019	Tow hook mounting gusset	16mm plate	4
10	1440-CC-027	Tow bar mounting plate	16mm plate	1
11	1440-CS-017	Derrick pedestal gussets A	16mm plate	4

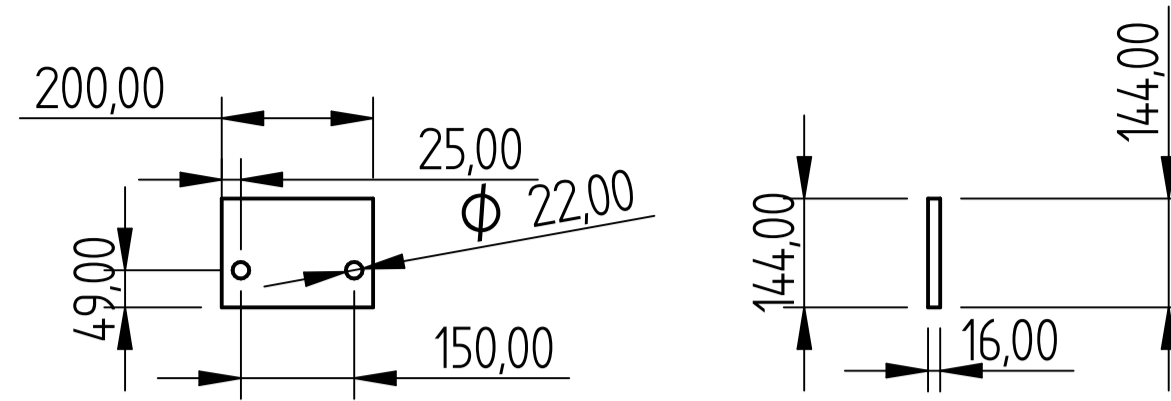


Drawbar  
1400-CD-000

DRAWN	NAME	DATE	<b>EQUAL CHANCE TRADING 50</b>	
APPROVED	A.J.Davey	01/28/13		
MATERIAL			TITLE: 1400 Chassis	
TREATMENT				
UNLESS OTHERWISE SPECIFIED DIMENSIONS ARE IN MILLIMETERS ANGLES ±0.1°			SIZE A1	REV 0
2 PL ±0.02 3 PL ±0.005			FILE NAME: 1400 Chassis.dft	SCALE: WEIGHT: SHEET 4 OF 5



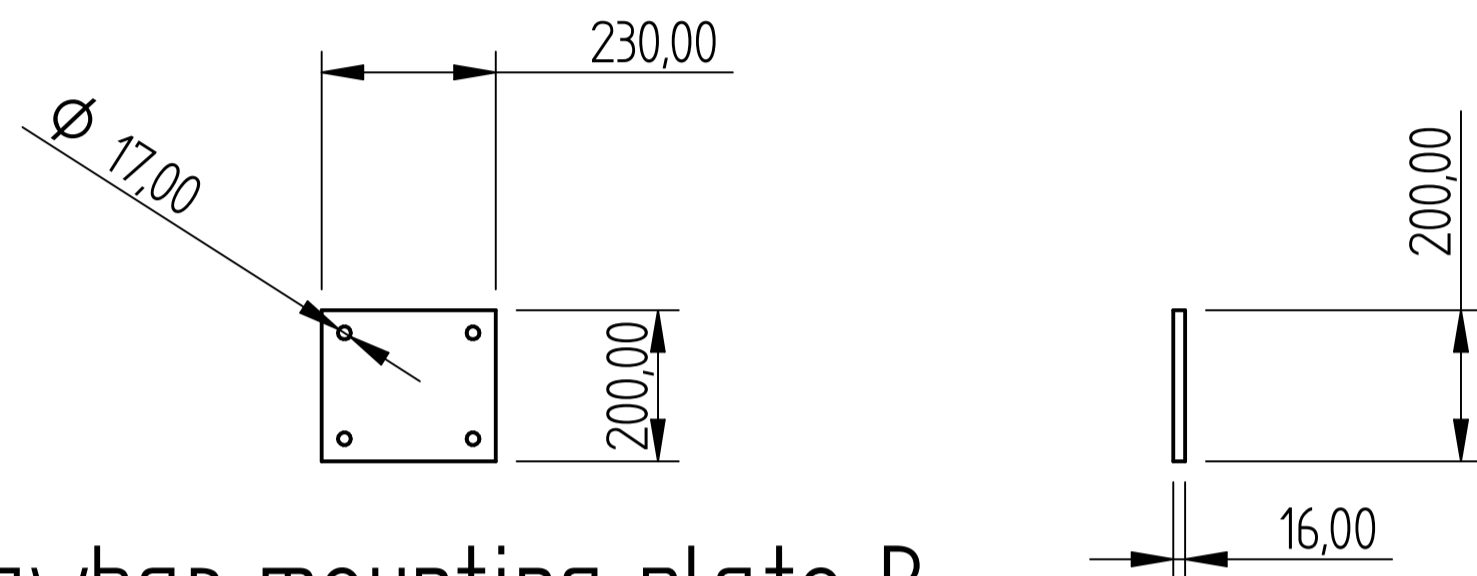
Tow hook mounting plate



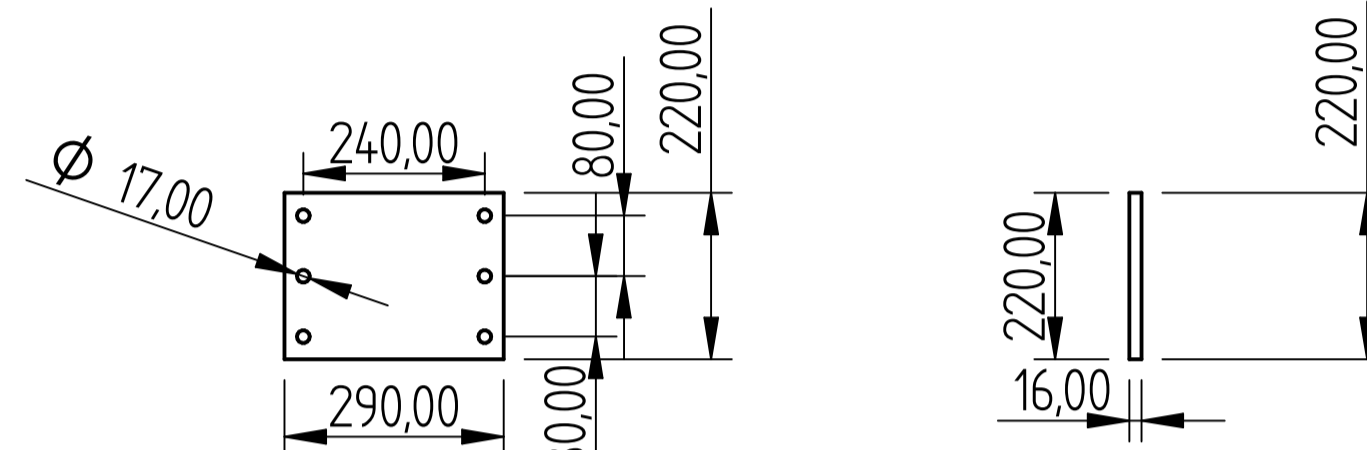
Side support top mounting plate



Tow hook mounting gusset



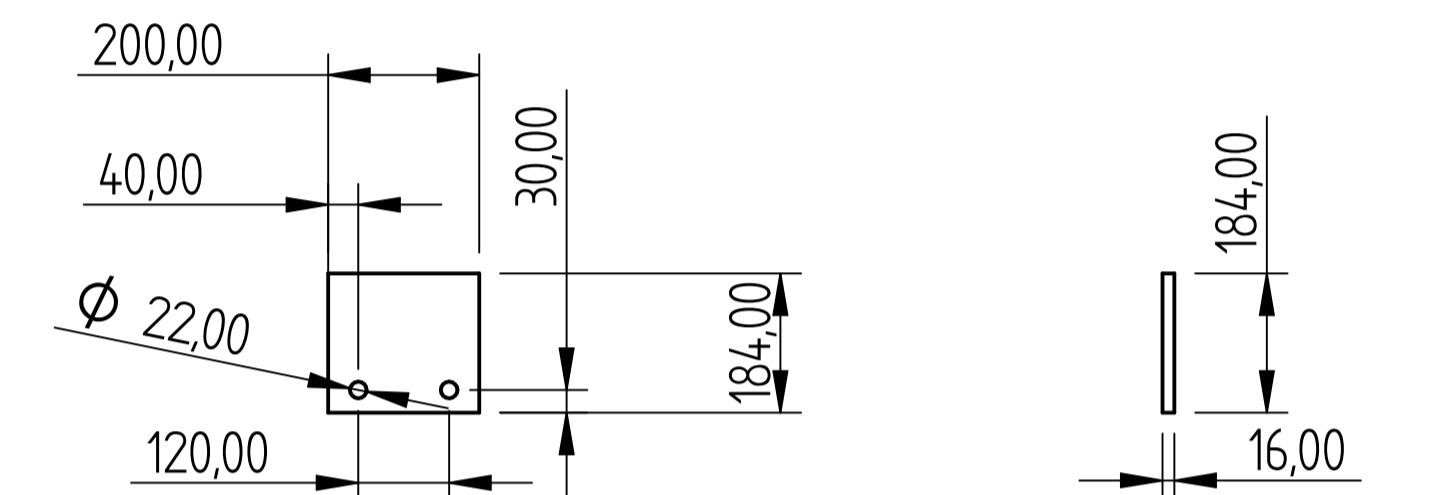
Drawbar mounting plate B



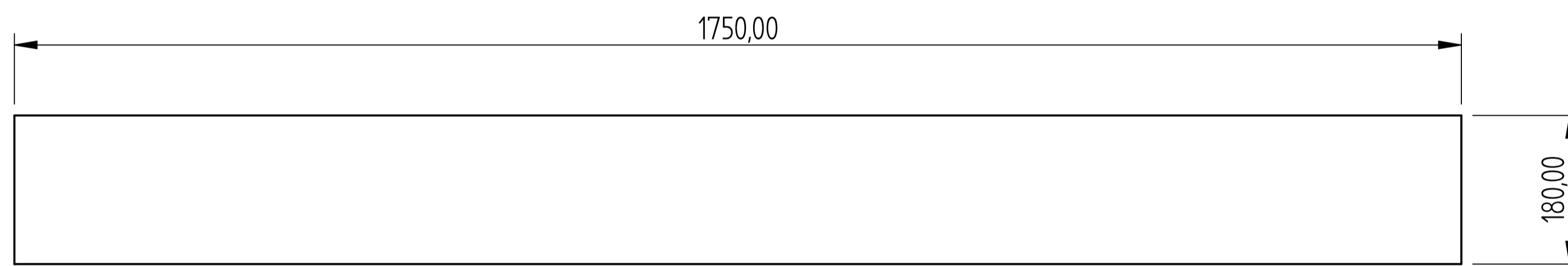
Tow bar mounting plate



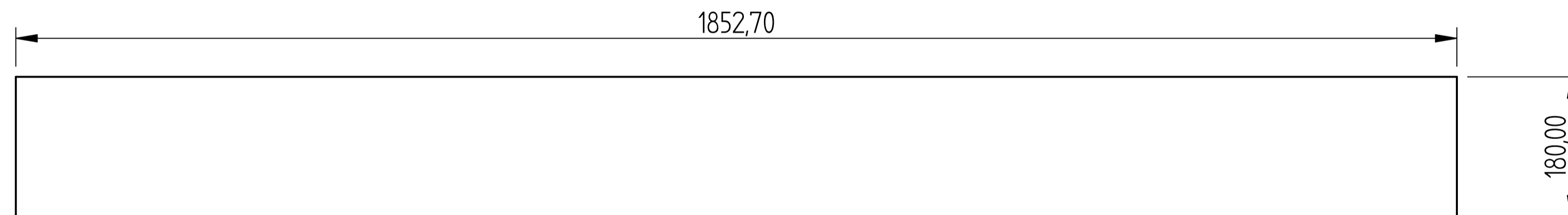
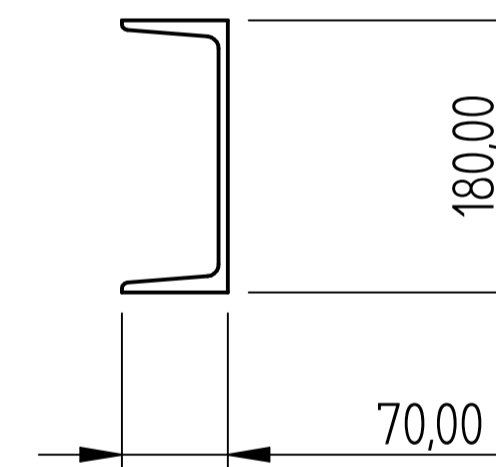
Derrick pedestal gussets A



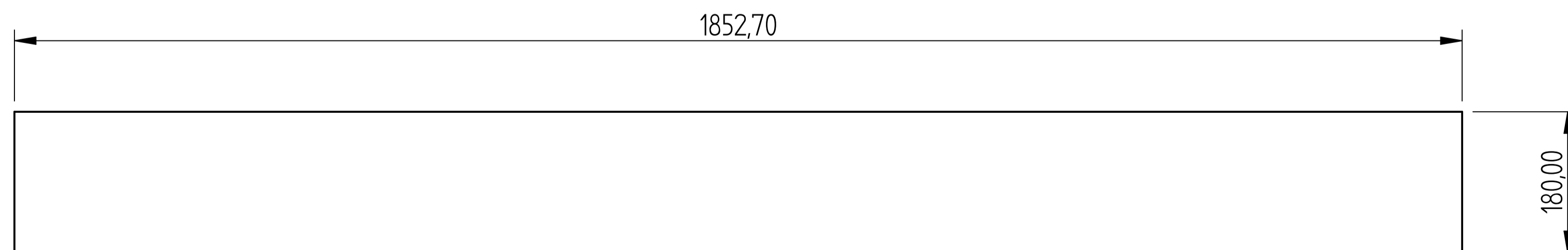
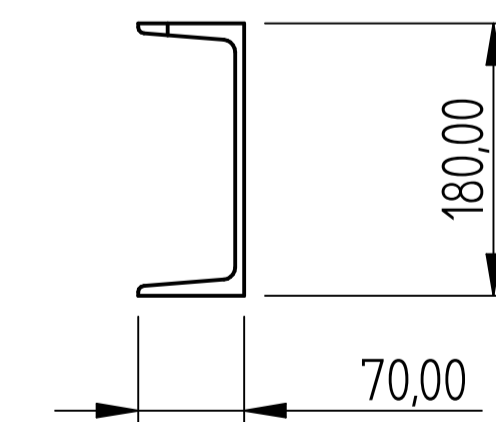
Side support mounting plate



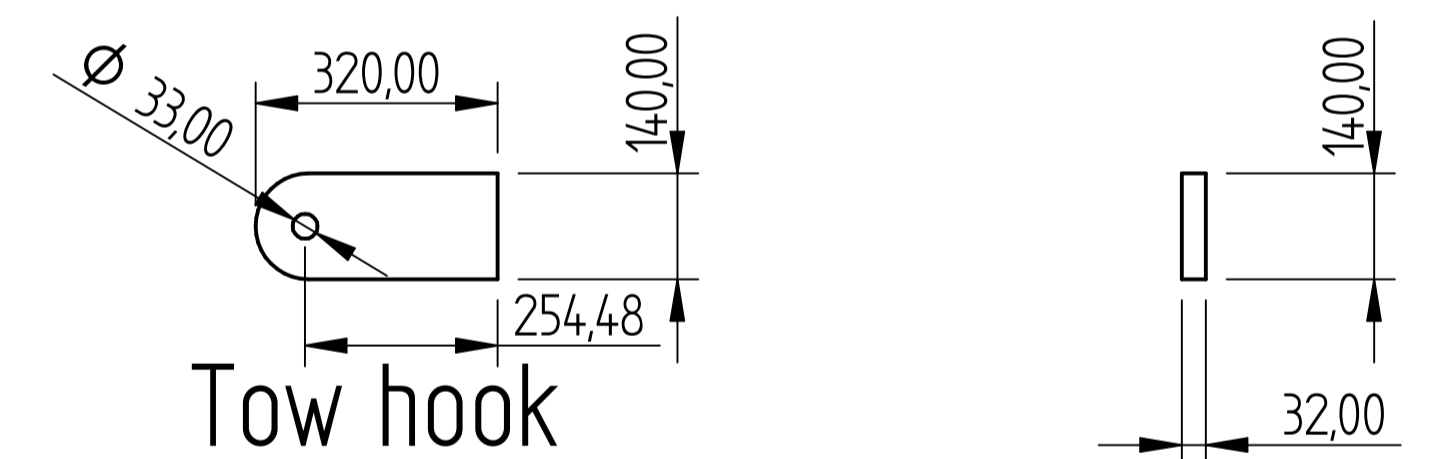
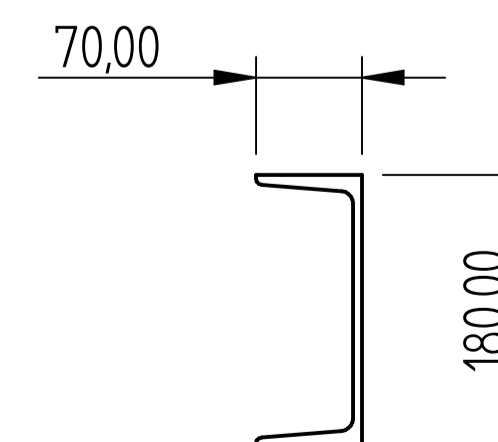
Center support



Side support A



Side support B



Tow hook

DRAWN	NAME	DATE	EQUAL CHANCE TRADING 50	
APPROVED	A.J.Davey	01/28/13	TITLE	
MATERIAL			1400 Chassis	
TREATMENT			FILE NAME: 1400 Chassis.dft	
UNLESS OTHERWISE SPECIFIED DIMENSIONS ARE IN MILLIMETERS ANGLES ±0.1°			SIZE	REV
2 PL ±0.02 3 PL ±0.005			A1	0
SCALE:			WEIGHT:	SHEET 5 OF 5