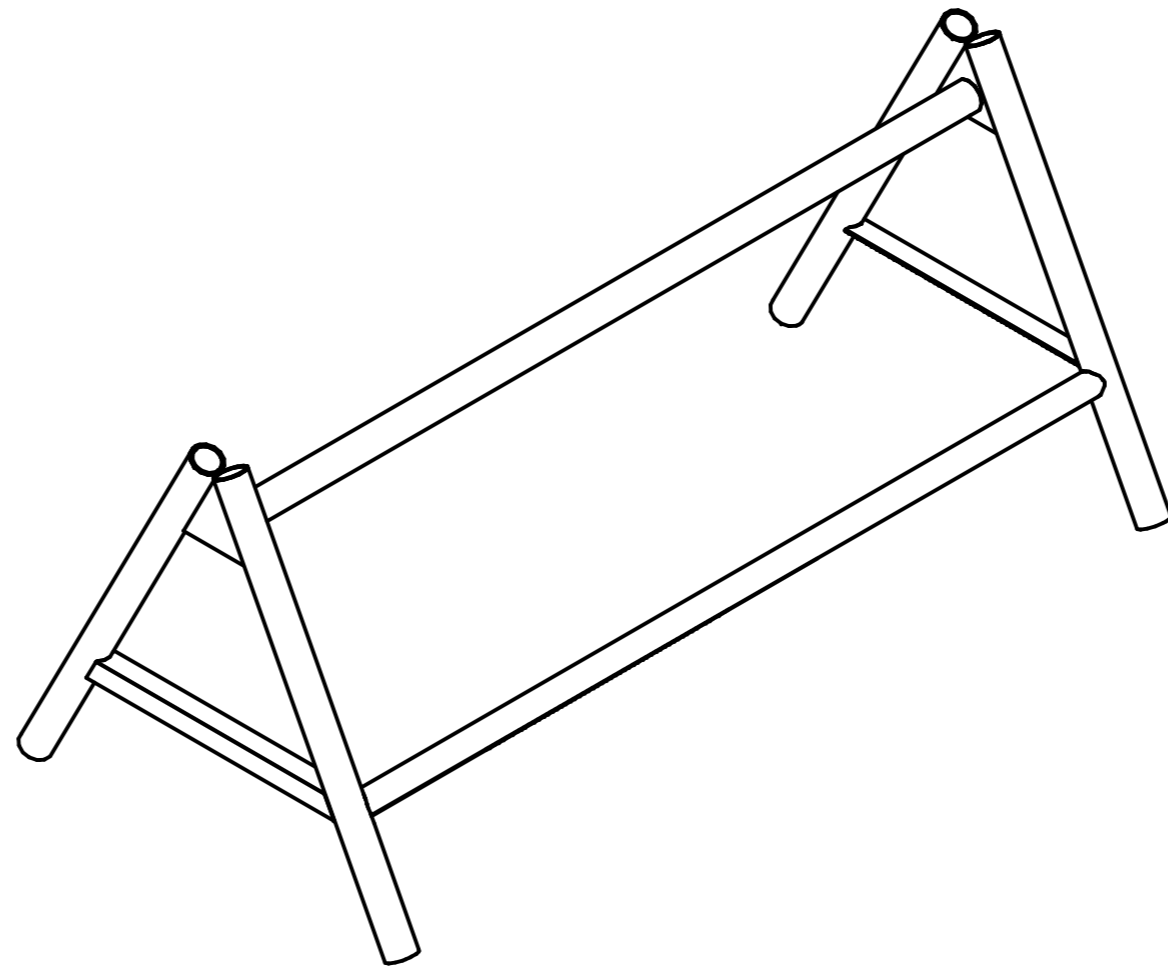


# Drill Rod Trestle



	NAME	DATE	<b>EQUAL CHANCE TRADING 50</b>		
DRAWN	Owner	04/20/12	TITLE		
APPROVED			Drill Rod Trestle		
MATERIAL			SIZE	DWG NO	REV
TREATMENT			A2	W/Acc-001	
UNLESS OTHERWISE SPECIFIED DIMENSIONS ARE IN MILLIMETERS			FILE NAME: Drill Rod Trestle.dft		
1 <sup>st</sup> ANGLE ANGLES ±0.1°			SCALE:	WEIGHT:	SHEET 1 OF 1
2 PL ±0.02 3 PL ±0.005					