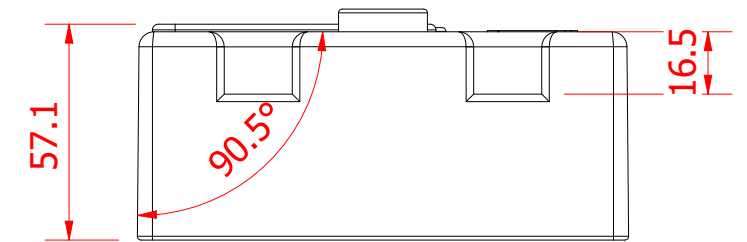
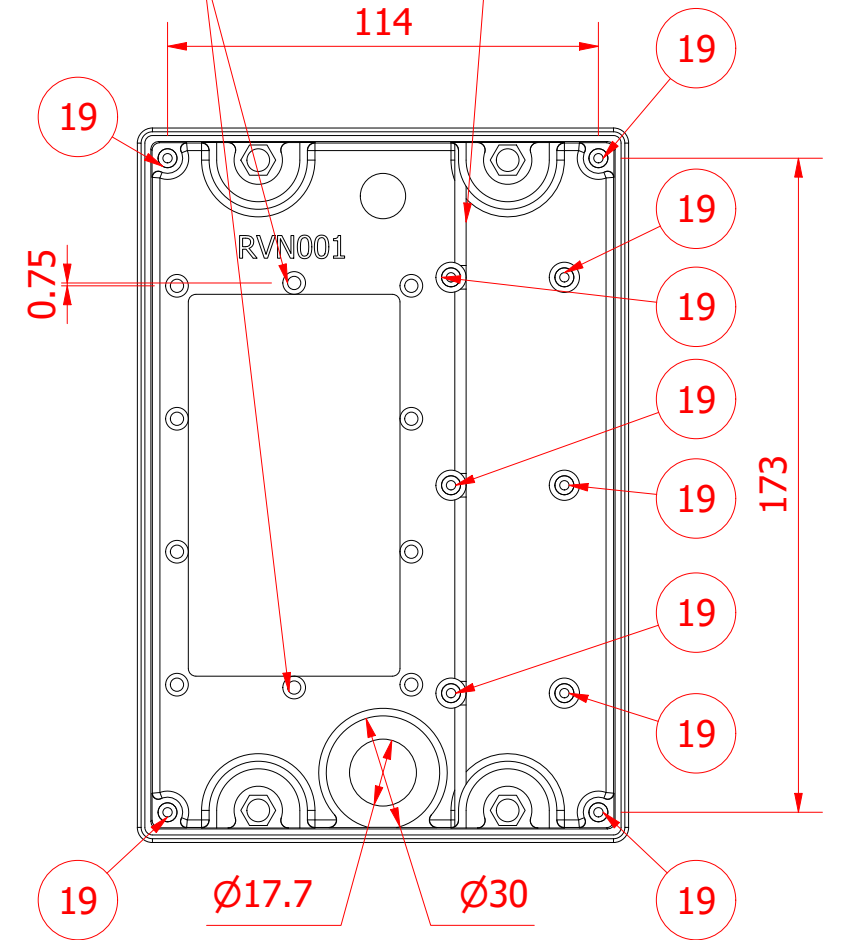
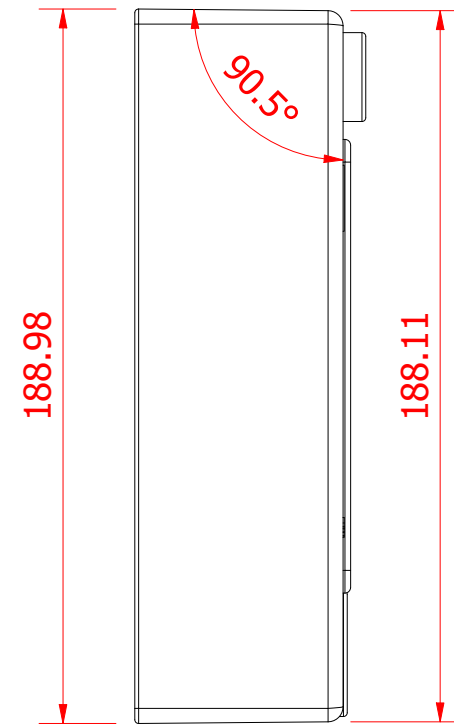


ADDED THESE 2 HOLES

ADDED RIB FOR STRENGTH



MATERIAL:- ABS PLASTIC  
FINISH:- BLACK

MACHINING TOLERANCES:-	FABRICATION TOLERANCES:-
0.1 FOR 0.5 TO 3	0.15 FOR 0.5 TO 3
0.1 FOR 3 TO 6	0.2 FOR 3 TO 6
0.2 FOR 6 TO 30	0.5 FOR 6 TO 30
0.3 FOR 30 TO 120	0.8 FOR 30 TO 120
0.5 FOR 120 TO 400	1.2 FOR 120 TO 400
0.8 FOR 400 TO 1000	2 FOR 400 TO 1000
1.2 FOR 1000 TO 2000	3 FOR 1000 TO 2000
2 FOR 2000 TO 4000	4 FOR 2000 TO 4000
2 FOR 4000 TO 8000	5 FOR 4000 TO 8000
4 FOR 8000 TO 12000	6 FOR 8000 TO 12000
5 FOR 12000 TO 16000	7 FOR 12000 TO 16000
6 FOR 16000 TO 20000	8 FOR 16000 TO 20000

PARTS LIST		
ITEM	QTY	PART NUMBER
1	1	SCREEN ENCLOSURE .5deg draft
19	10	M3 brass insert

REV No	REVISION DESCRIPTION	REV DATE	DONE BY	APPROVED BY

FINITRON ELECTRONICS (PTY) LTD 2016/116526/07  
**TOUCHTRONICS**  
 Riley Road Office Park, 15E Riley Road Bedfordview  
 P.O. Box 3016, Bedfordview, 2008  
 Tell: (011) 409-8000 Fax: (011) 450-4718

DESCRIPTION:-  
COMMAND CONSOLE ENCL INSERTS 0.5DEG DRAFT

DRAWN BY:- RvN      APPROVED BY:- L.M

DRAWING No:- -      DATE:- 2021-11-18

SCALE:- 1:2      SHEET:-      REV:-0