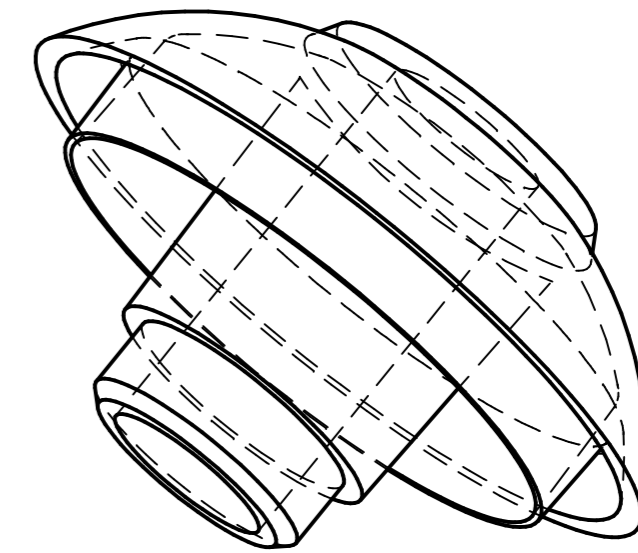
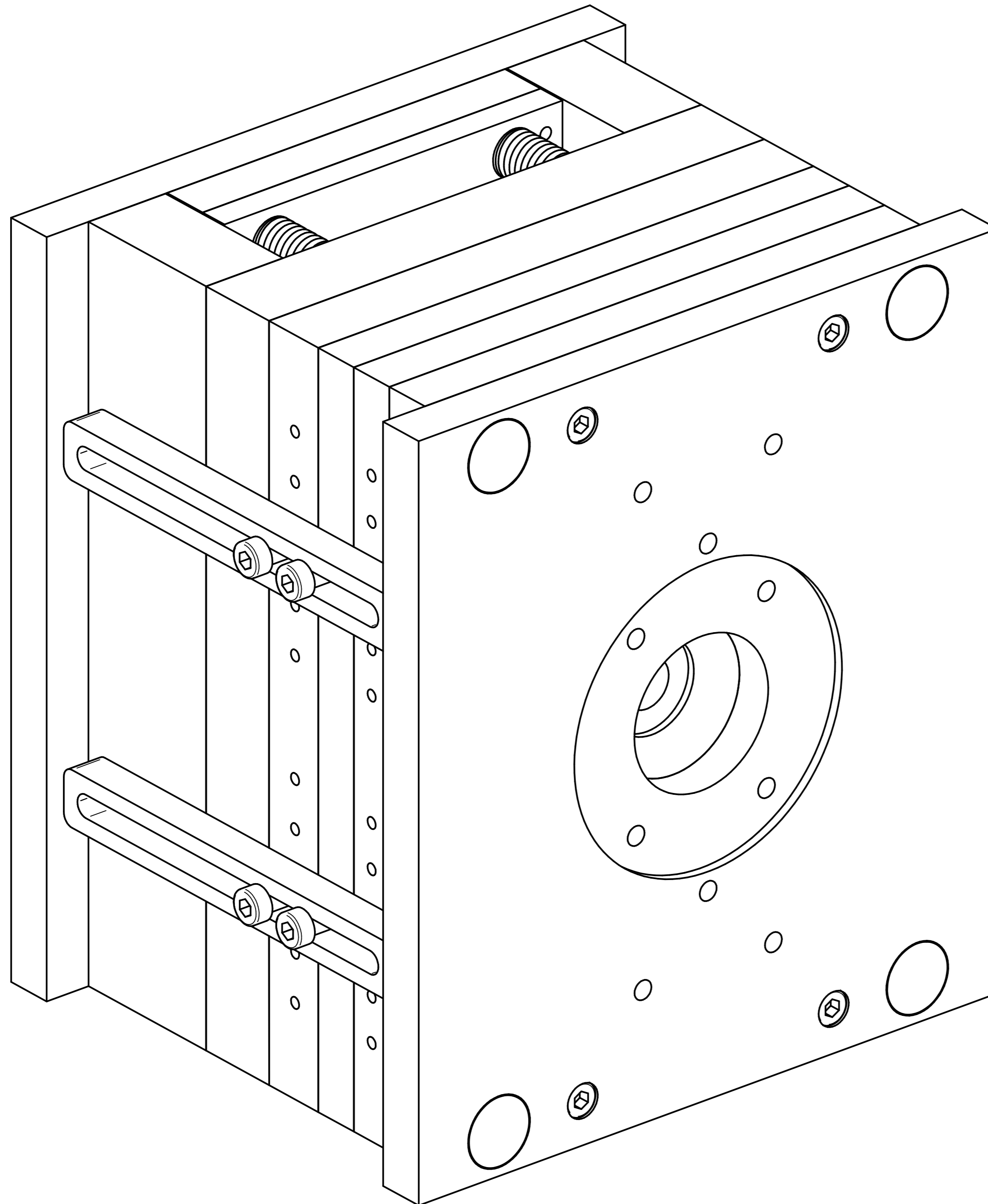


REVISION HISTORY			
REV	DESCRIPTION	DATE	APPROVED

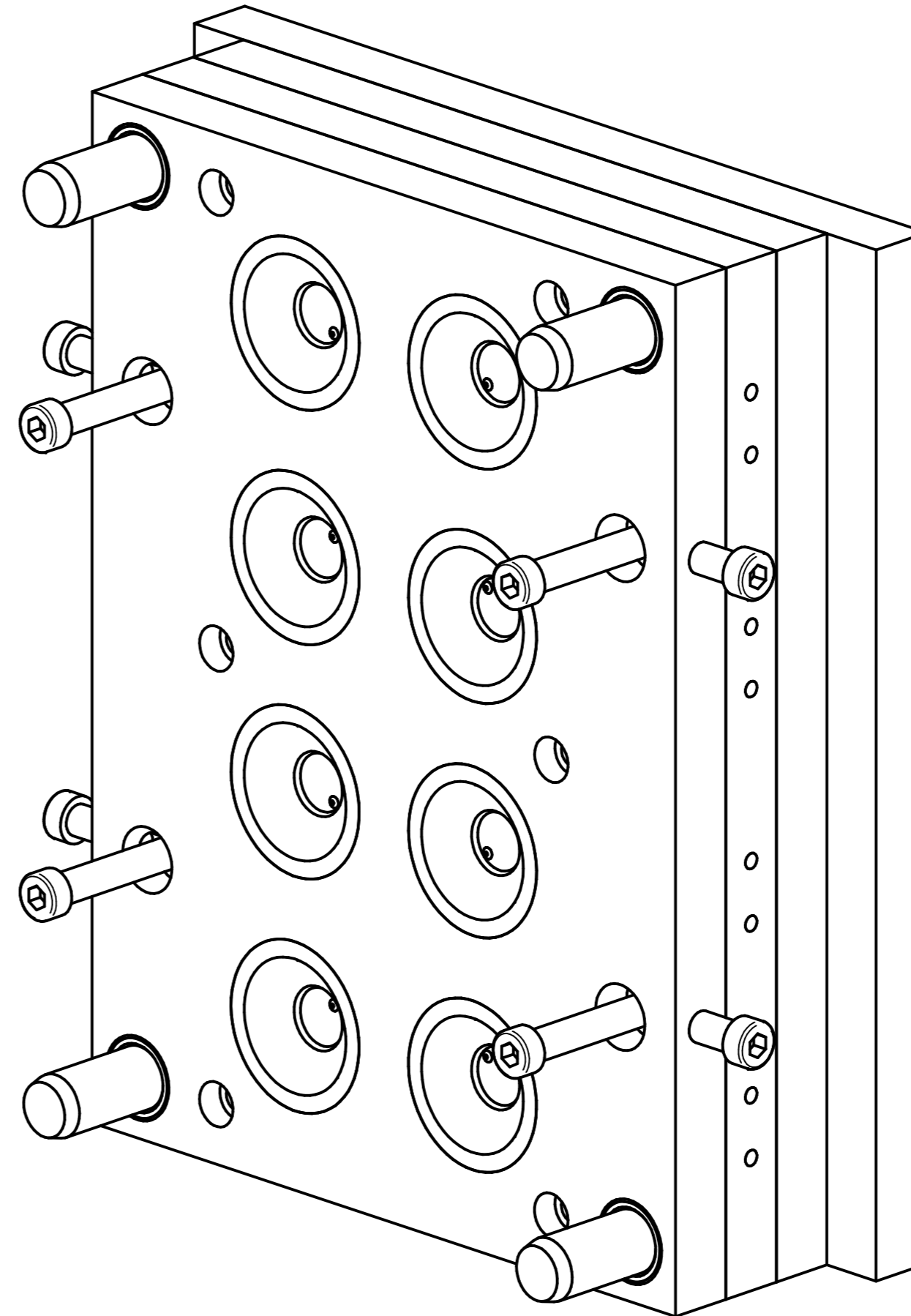
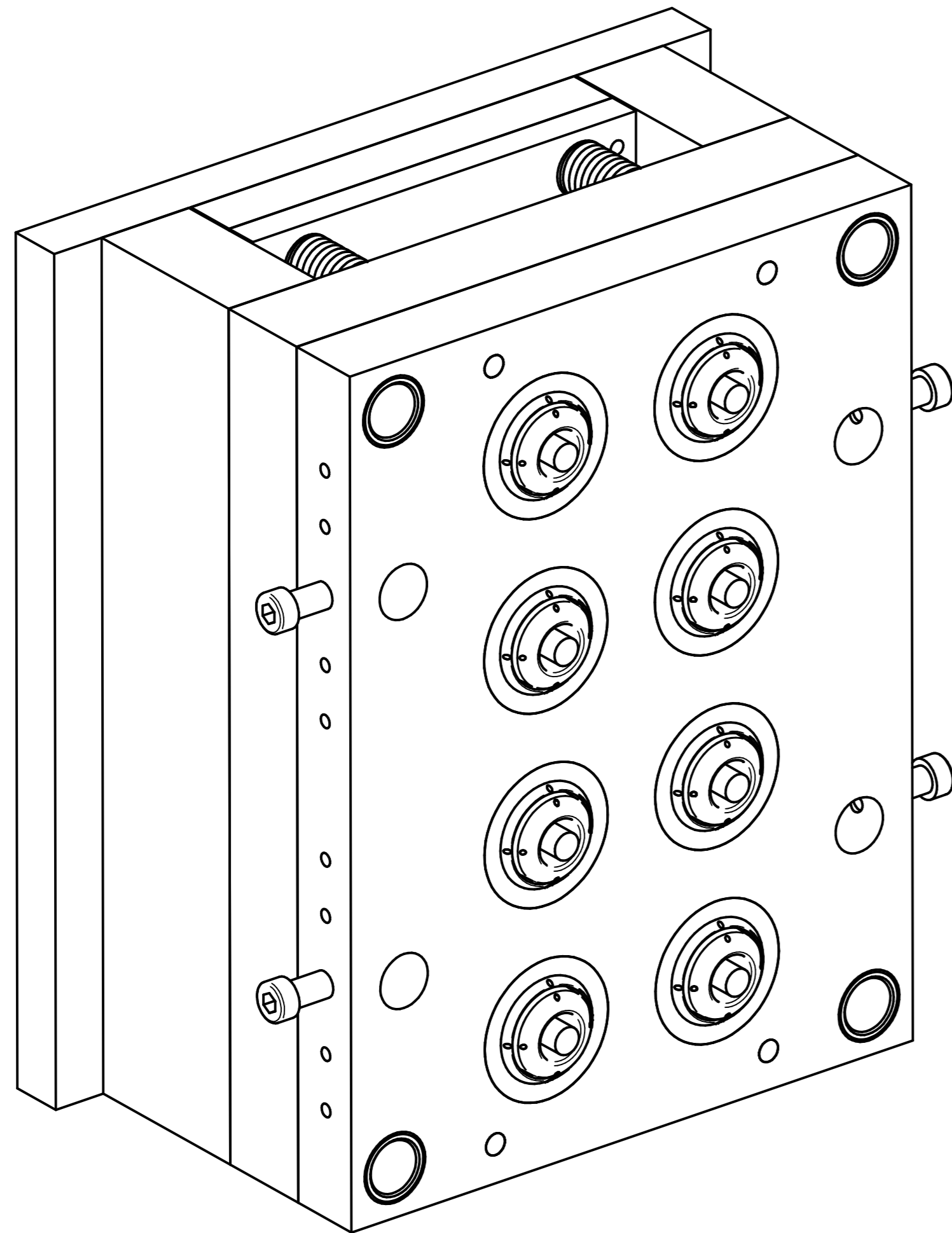


THREAD GUARD HUP 125X35H60

Thread Guard Mould

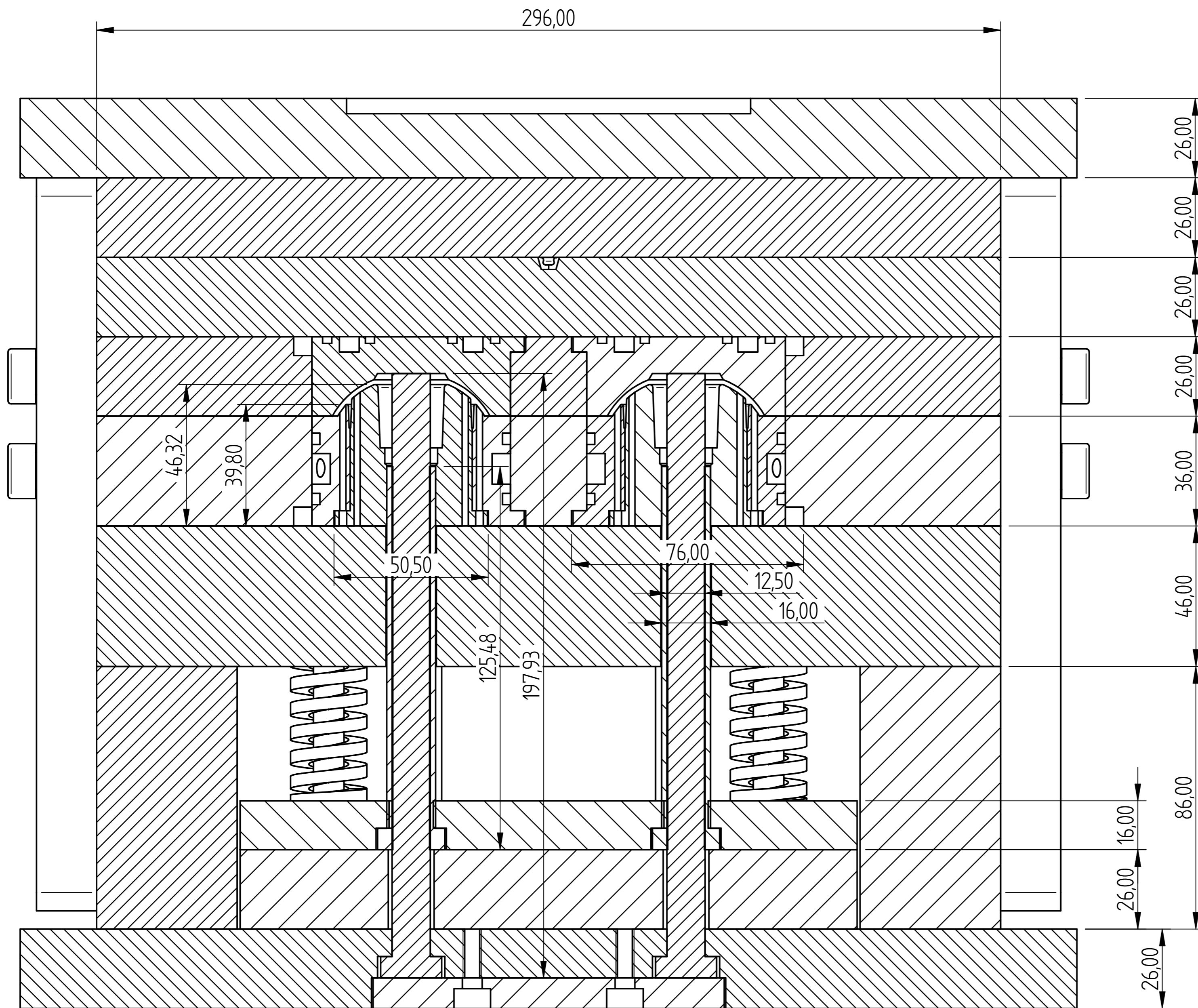
	NAME	DATE	AGRIGEL	
DRAWN	Dan	02/01/12		
APPROVED				
MATERIAL				
TREATMENT			TITLE	
UNLESS OTHERWISE SPECIFIED DIMENSIONS ARE IN MILLIMETERS			SIZE	DWG NO
1 st ANGLE ANGLES ±0.1°			A4	
2 PL ±0.02 3 PL ±0.005			FILE NAME: Thread Guard Mould.dft	REV
SCALE:		WEIGHT:	SHEET 1 OF 7	

REVISION HISTORY			
REV	DESCRIPTION	DATE	APPROVED

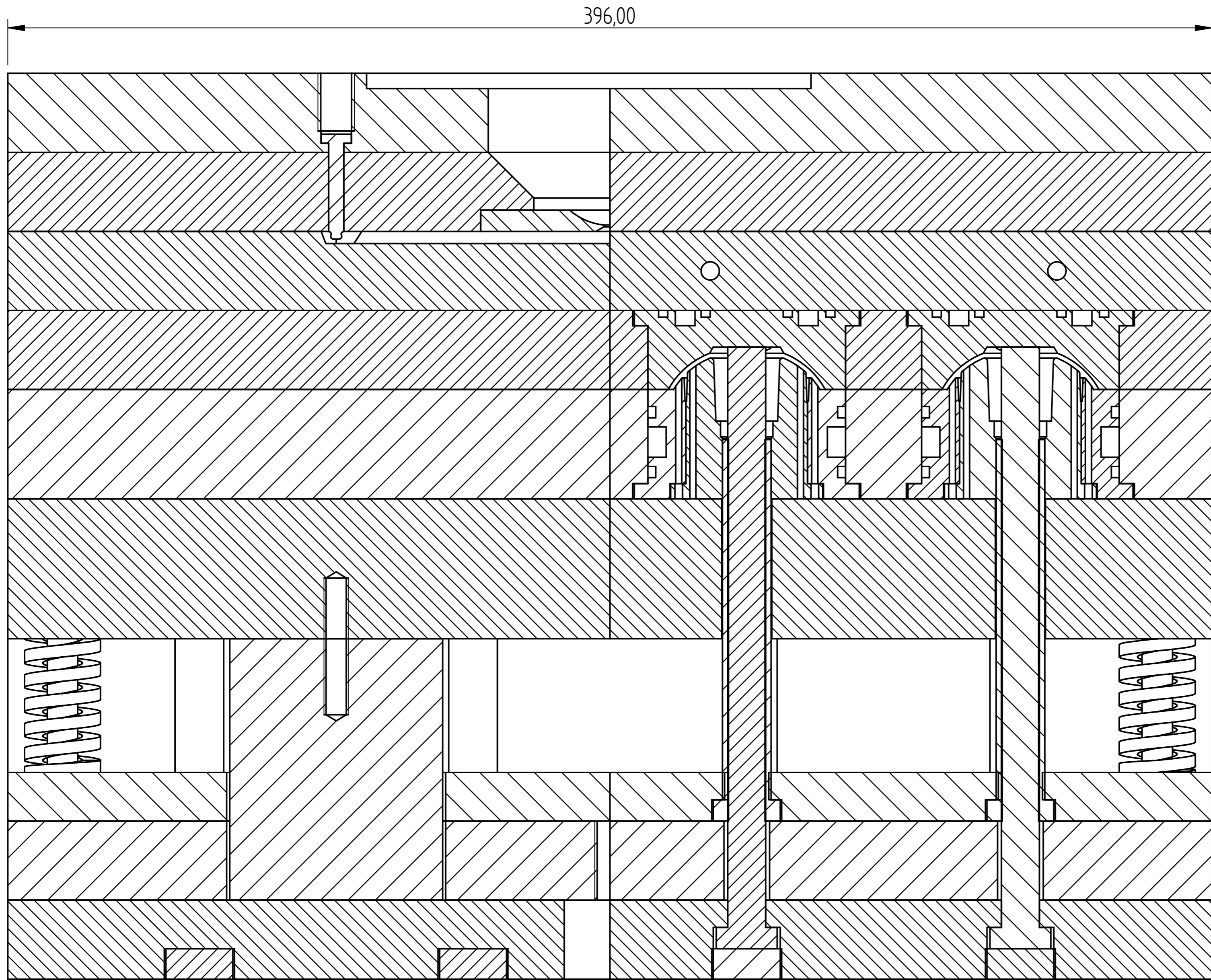


	NAME	DATE	AGRIGEL	
DRAWN	Dan	02/01/12		
APPROVED				
MATERIAL				
TREATMENT			TITLE	
UNLESS OTHERWISE SPECIFIED DIMENSIONS ARE IN MILLIMETERS			SIZE	DWG NO
1st ANGLE ANGLES ±0.1°			A4	
2 PL ±0.02 3 PL ±0.005			FILE NAME: Thread Guard Mould.dft	REV
SCALE:		WEIGHT:	SHEET 2 OF 7	

REVISION HISTORY			
REV	DESCRIPTION	DATE	APPROVED



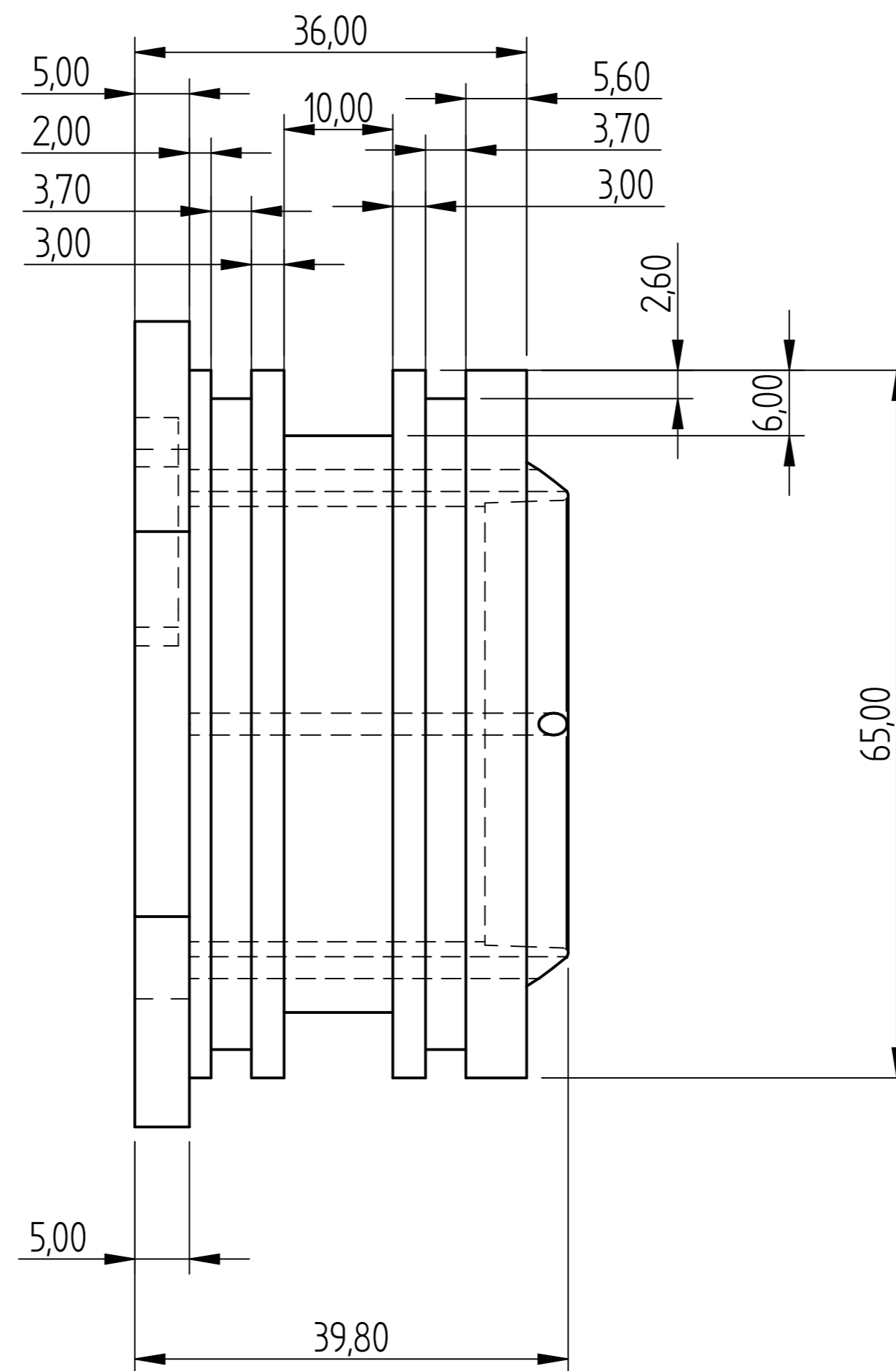
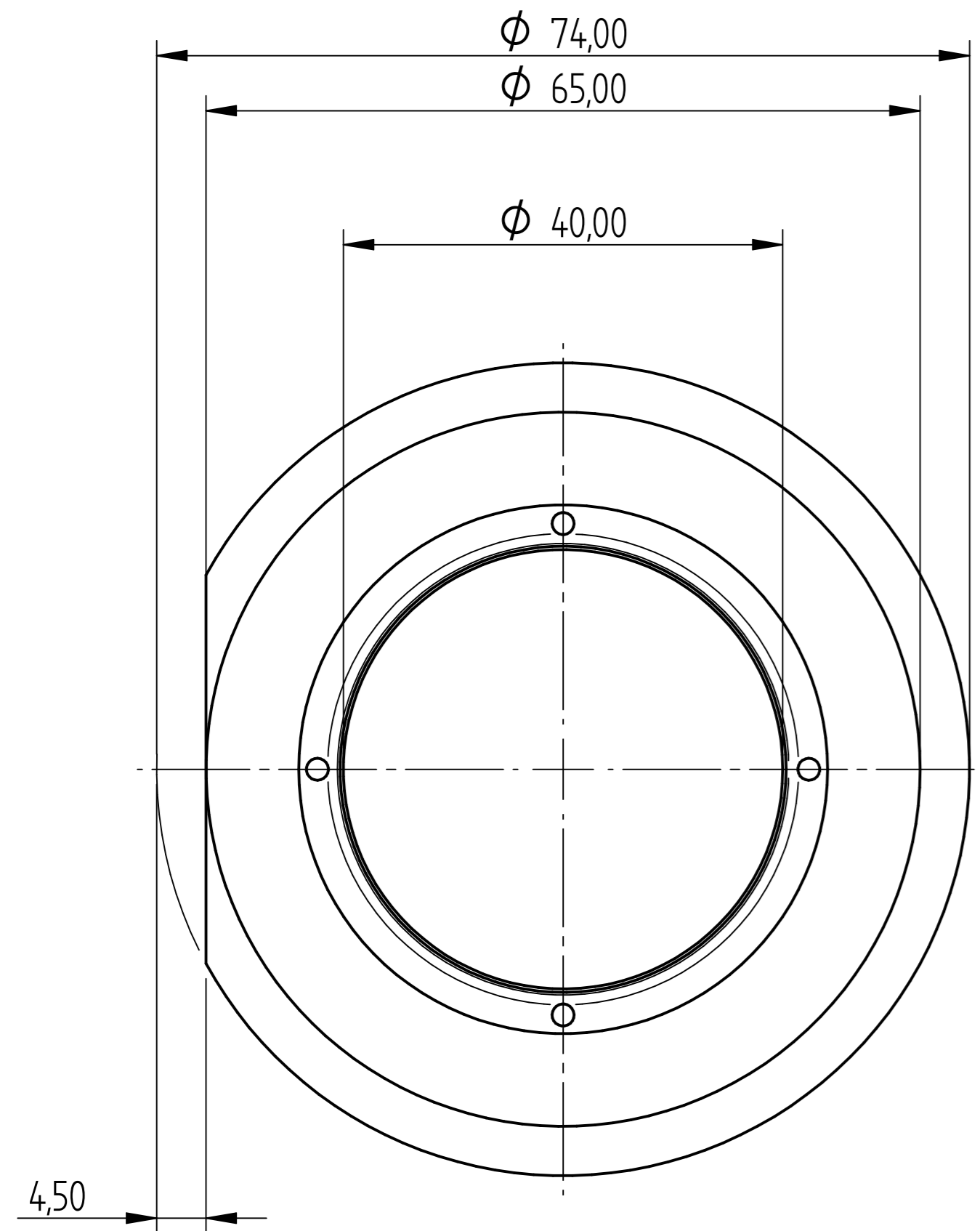
DRAWN	NAME	DATE	AGRIGEL			
APPROVED	Dan	02/01/12				
MATERIAL					TITLE	THREAD GUARD HUP 125X35H60
TREATMENT						
UNLESS OTHERWISE SPECIFIED DIMENSIONS ARE IN MILLIMETERS			SIZE	DWG NO	REV	
1 st ANGLE ANGLES ±0.1°			A4			
2 PL ±0.02 3 PL ±0.005			FILE NAME: Thread Guard Mould.dft			
SCALE:	WEIGHT:			SHEET 3 OF 7		



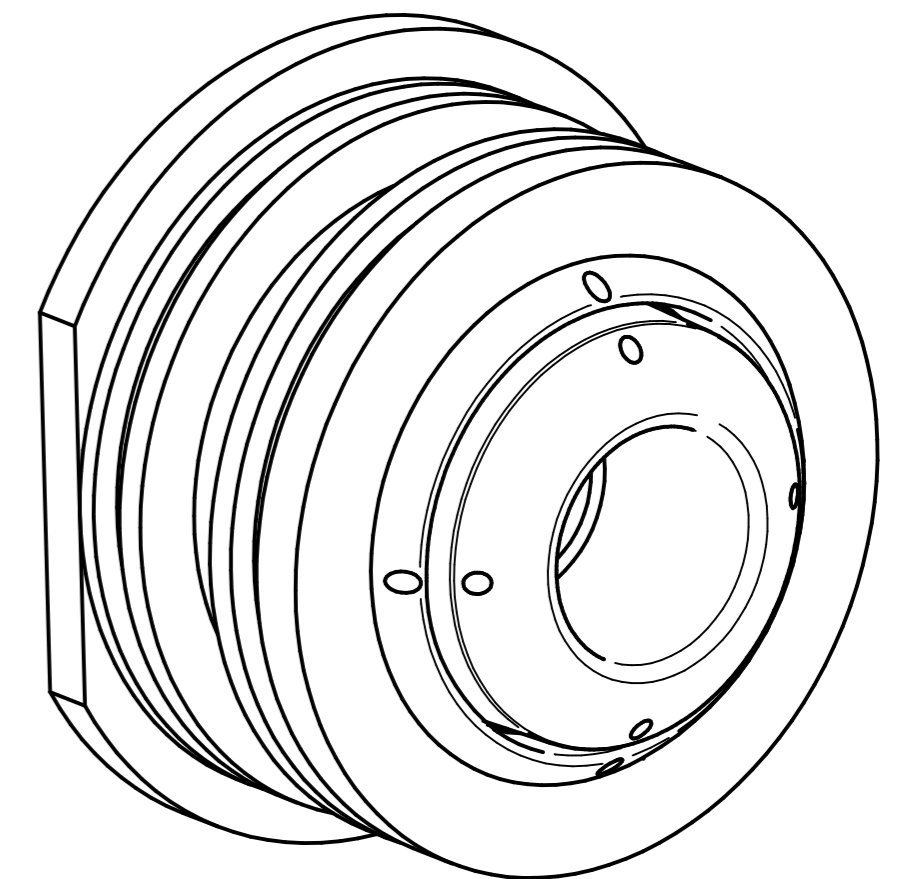
REVISION HISTORY			
REV	DESCRIPTION	DATE	APPROVED

DRAWN	NAME	DATE	AGRIGEL	
APPROVED	Dan	02/01/12		
MATERIAL				
TREATMENT				
UNLESS OTHERWISE SPECIFIED DIMENSIONS ARE IN MILLIMETERS			SIZE	DWG NO
1st ANGLE ANGLES ±0.1°			A4	
2 PL ±0.02 3 PL ±0.005			FILE NAME: Thread Guard Mould.dft	REV
SCALE:		WEIGHT:	SHEET 4 OF 7	

REVISION HISTORY			
REV	DESCRIPTION	DATE	APPROVED



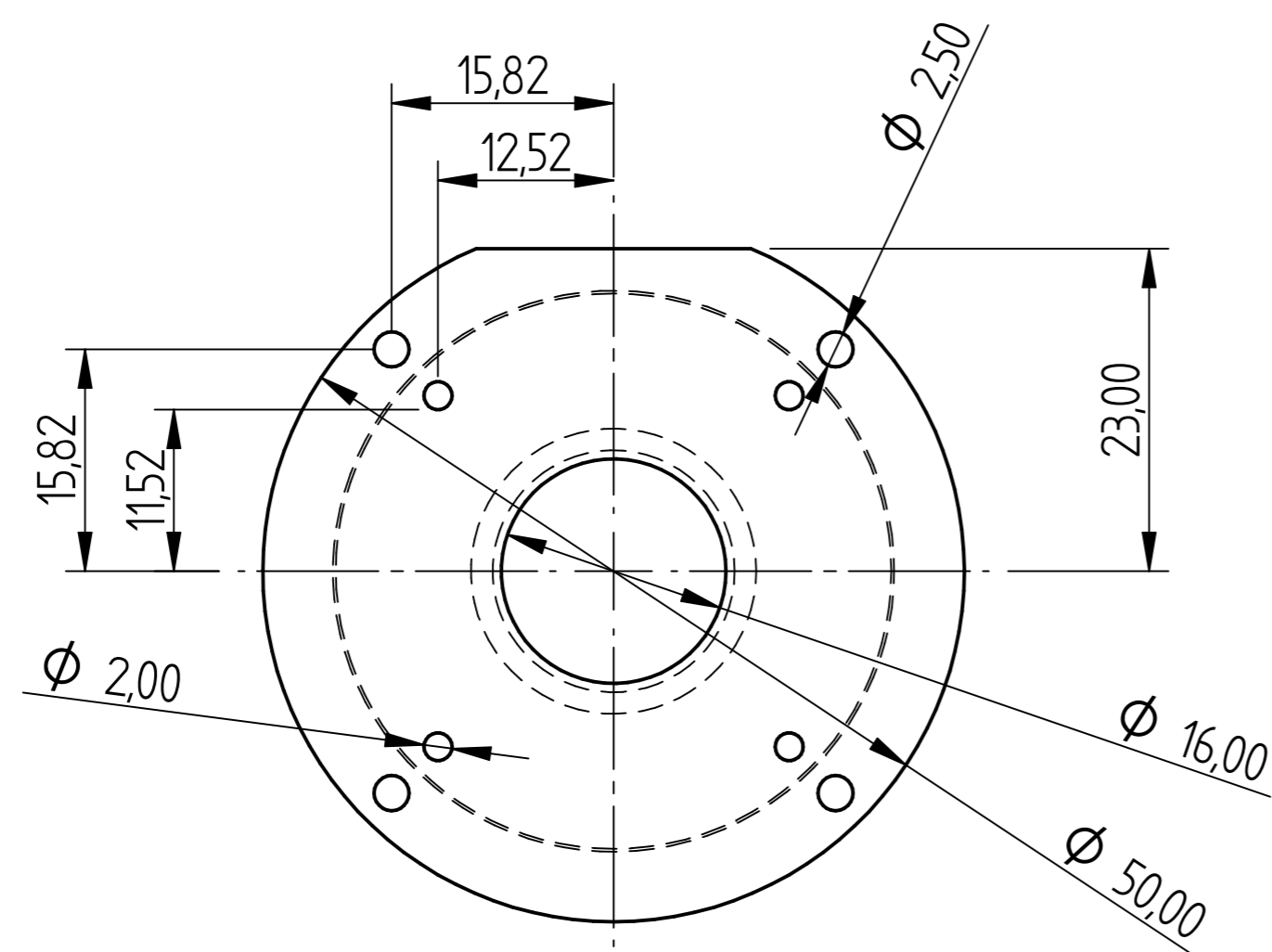
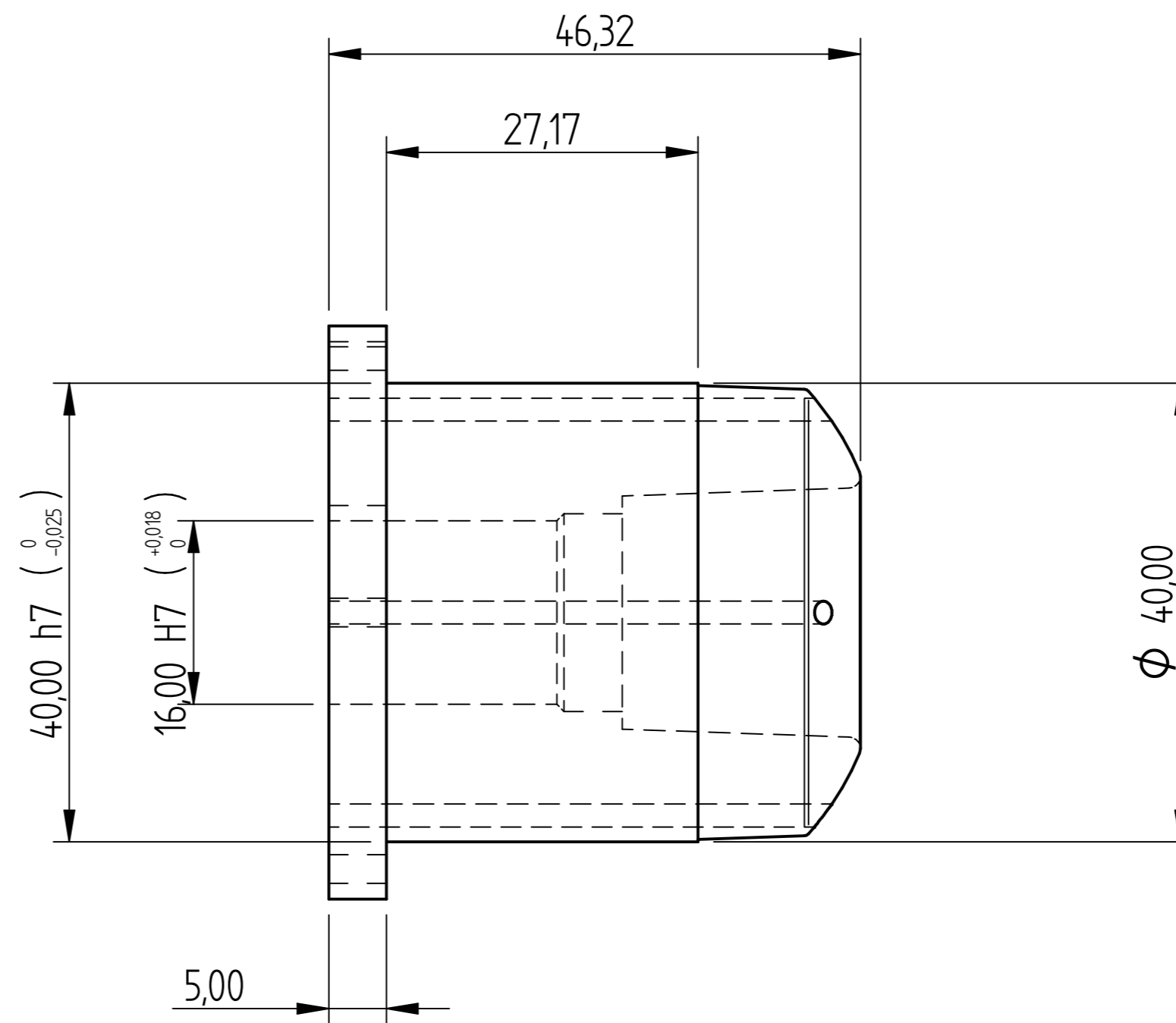
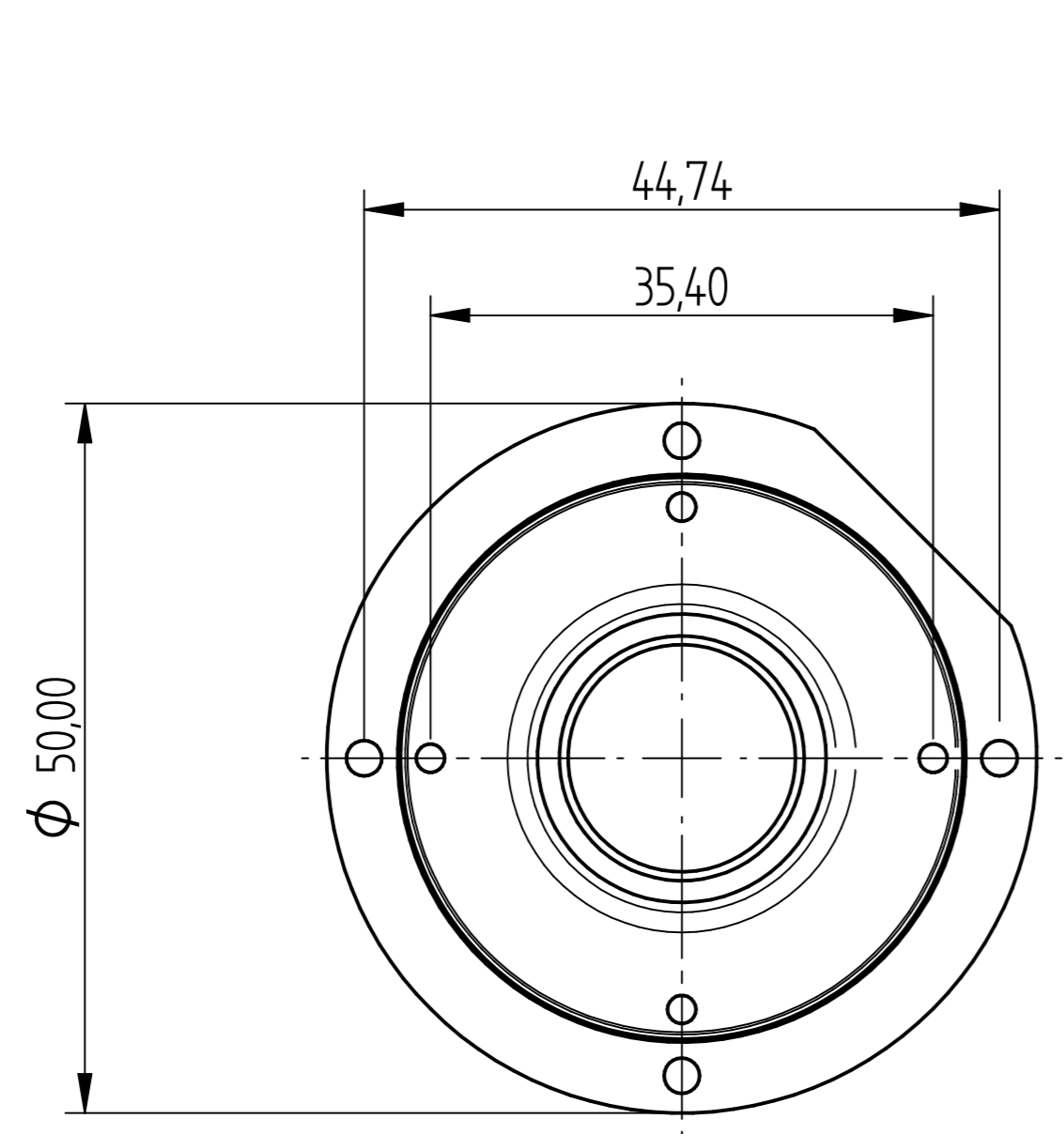
MACHINE BACK TO BACK WITH
FH INSERT 75 LONG
8 BILLETS



MH INSERT 8 OF

	NAME	DATE	AGRIGEL		
DRAWN	Dan	02/01/12			
APPROVED			TITLE THREAD GUARD HUP 125X35H60		
MATERIAL					
TREATMENT			SIZE A4	DWG NO	REV
UNLESS OTHERWISE SPECIFIED DIMENSIONS ARE IN MILLIMETERS			FILE NAME: Thread Guard Mould.dft		
1 st ANGLE ANGLES $\pm 0,1^\circ$			SCALE:	WEIGHT:	SHEET 5 OF 7
2 PL $\pm 0,02$ 3 PL $\pm 0,005$					

REVISION HISTORY			
REV	DESCRIPTION	DATE	APPROVED

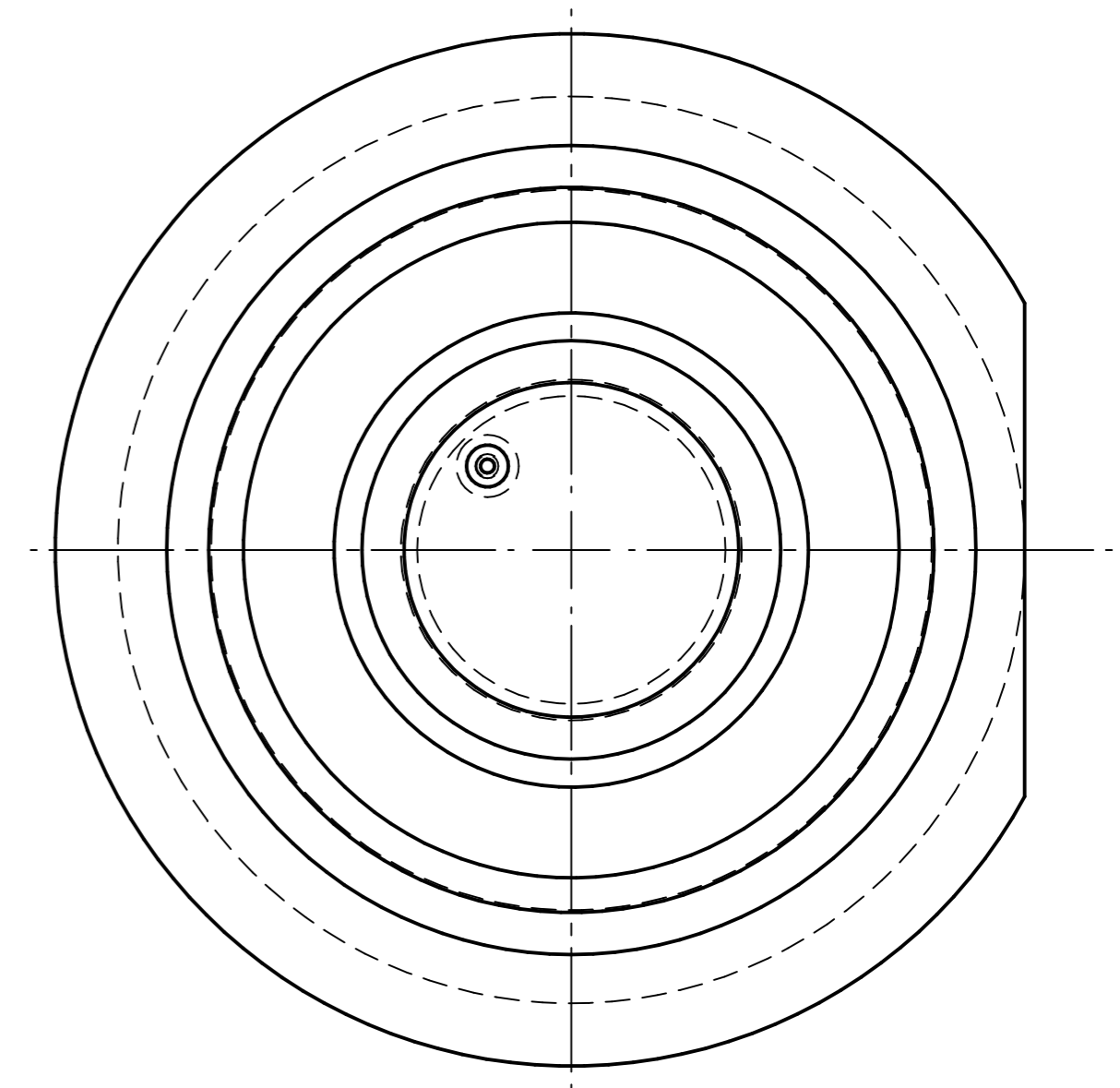
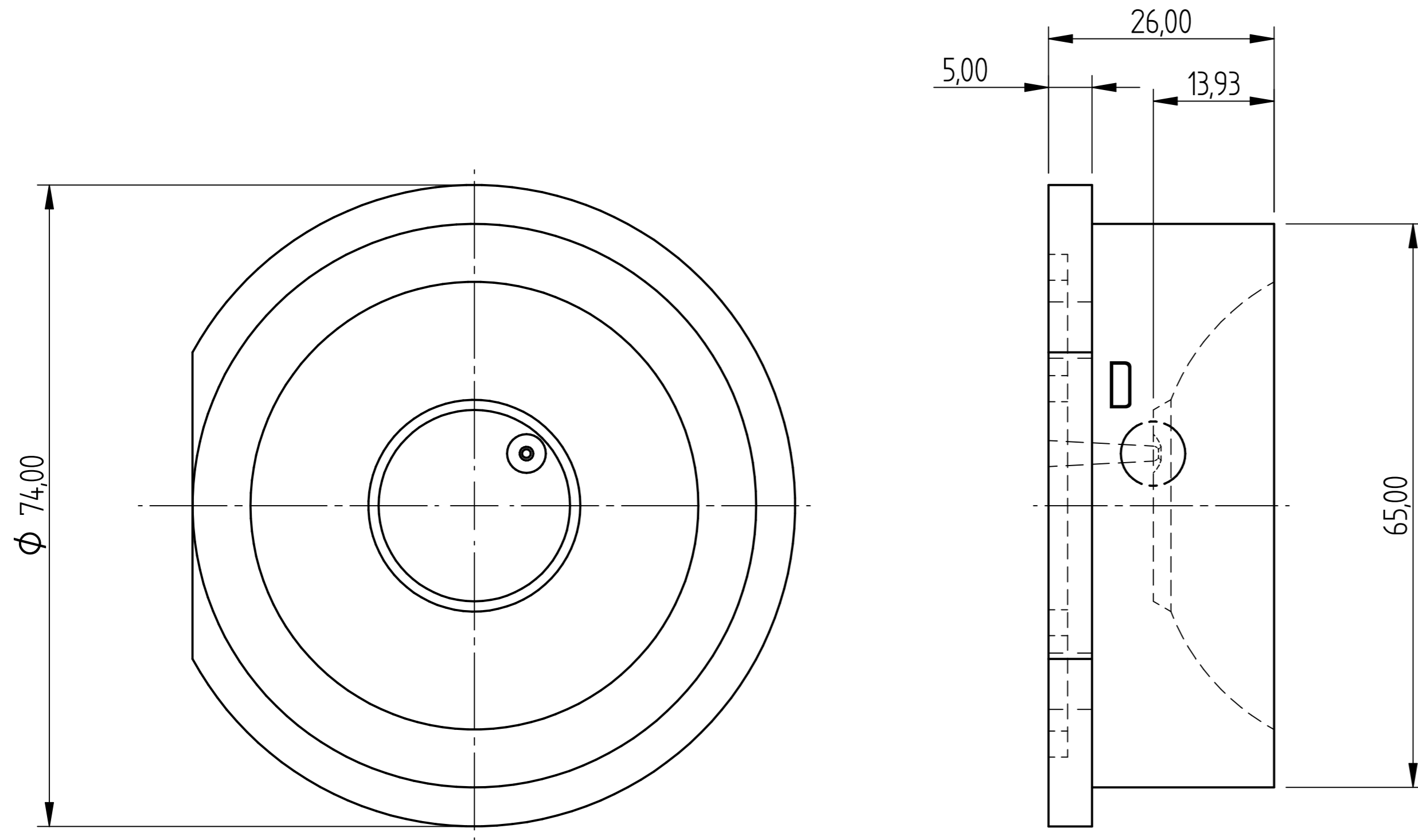


TURN BACK TO BACK 4 BILLETS 100mm LONG

CORE INSERT 8 OF

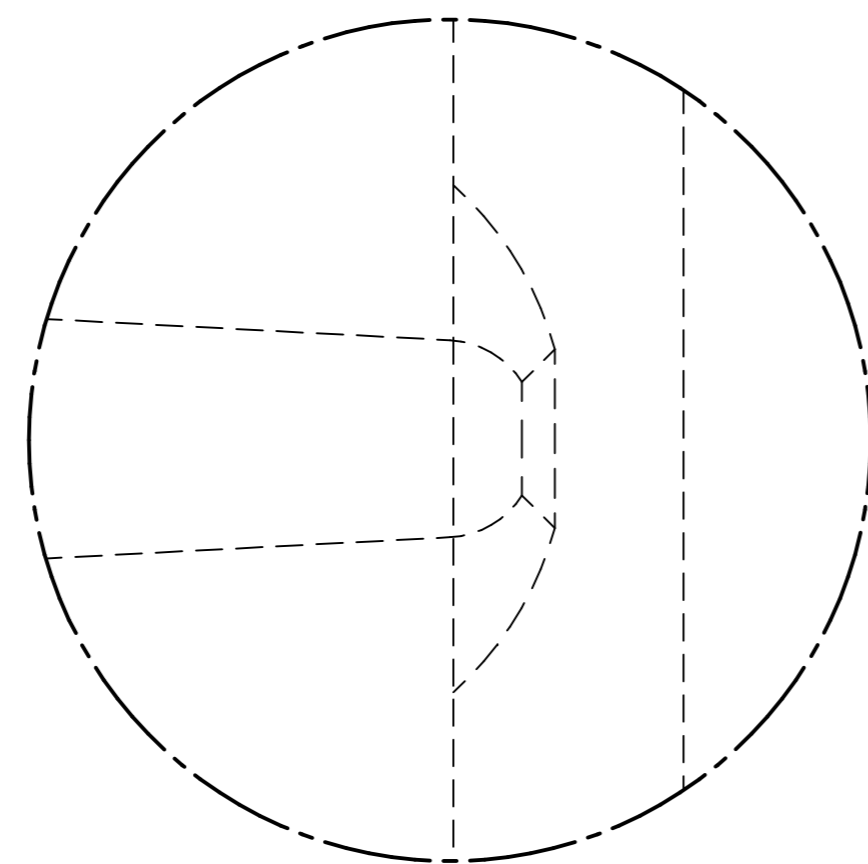
	NAME	DATE	AGRIGEL	
DRAWN	Dan	02/01/12		
APPROVED				
MATERIAL				
TREATMENT			TITLE	THREAD GUARD HUP 125X35H60
UNLESS OTHERWISE SPECIFIED DIMENSIONS ARE IN MILLIMETERS			SIZE	DWG NO
1st ANGLE ANGLES ±0.1°				
2 PL ±0.02 3 PL ±0.005			FILE NAME: Thread Guard Mould.dft	REV
			SCALE:	WEIGHT:
			SHEET 6 OF 7	

REVISION HISTORY			
REV	DESCRIPTION	DATE	APPROVED



FH INSERTS

TURN WITH FH INSERTS



DETAIL D

	NAME	DATE	AGRIGEL		
DRAWN	Dan	02/01/12			
APPROVED			TITLE THREAD GUARD HUP 125X35H60		
MATERIAL					
TREATMENT			SIZE A4	DWG NO	REV
UNLESS OTHERWISE SPECIFIED DIMENSIONS ARE IN MILLIMETERS			FILE NAME: Thread Guard Mould.dft		
1st ANGLE 2 PL ±0.02 3 PL ±0.005			SCALE:	WEIGHT:	SHEET 7 OF 7