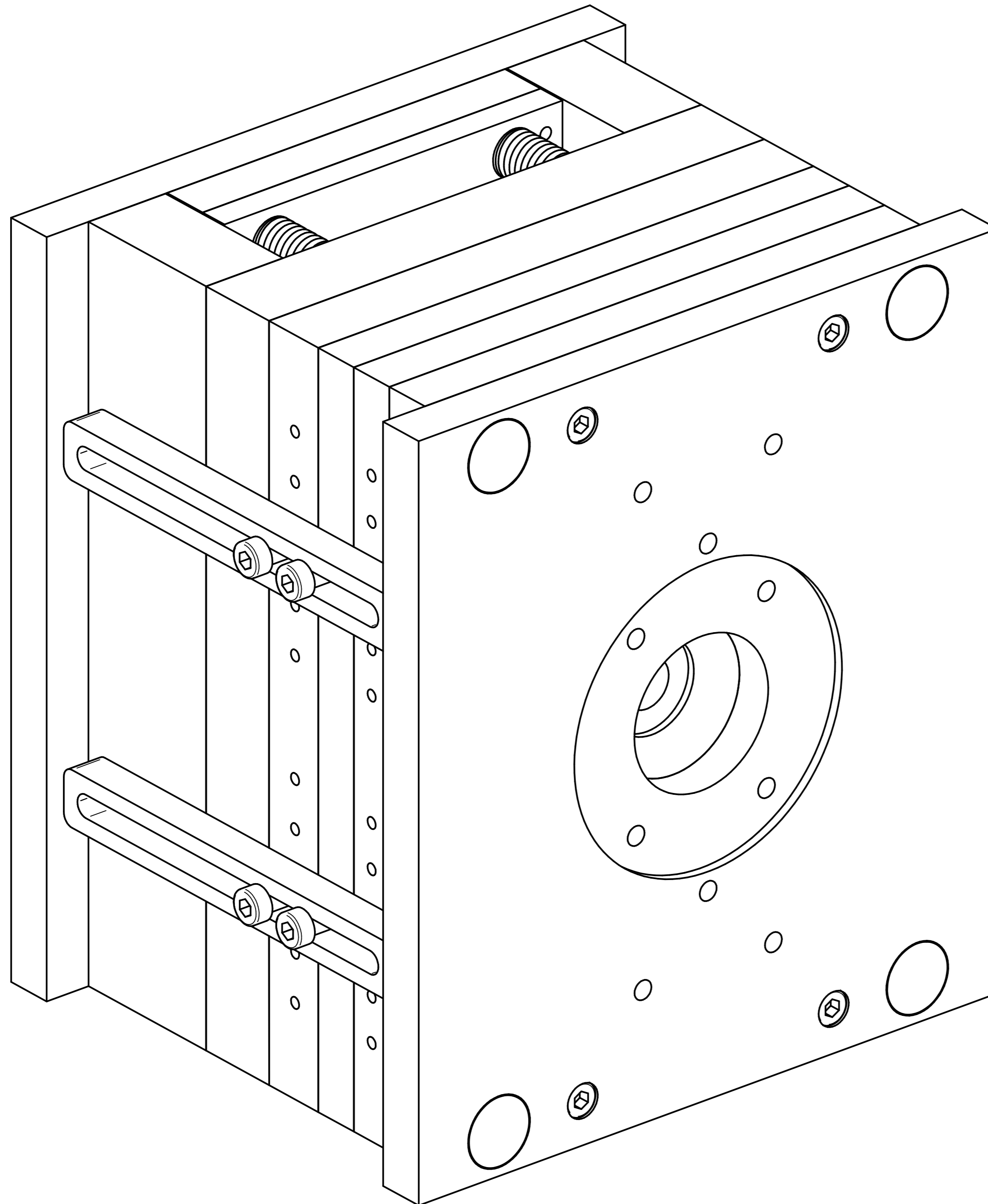


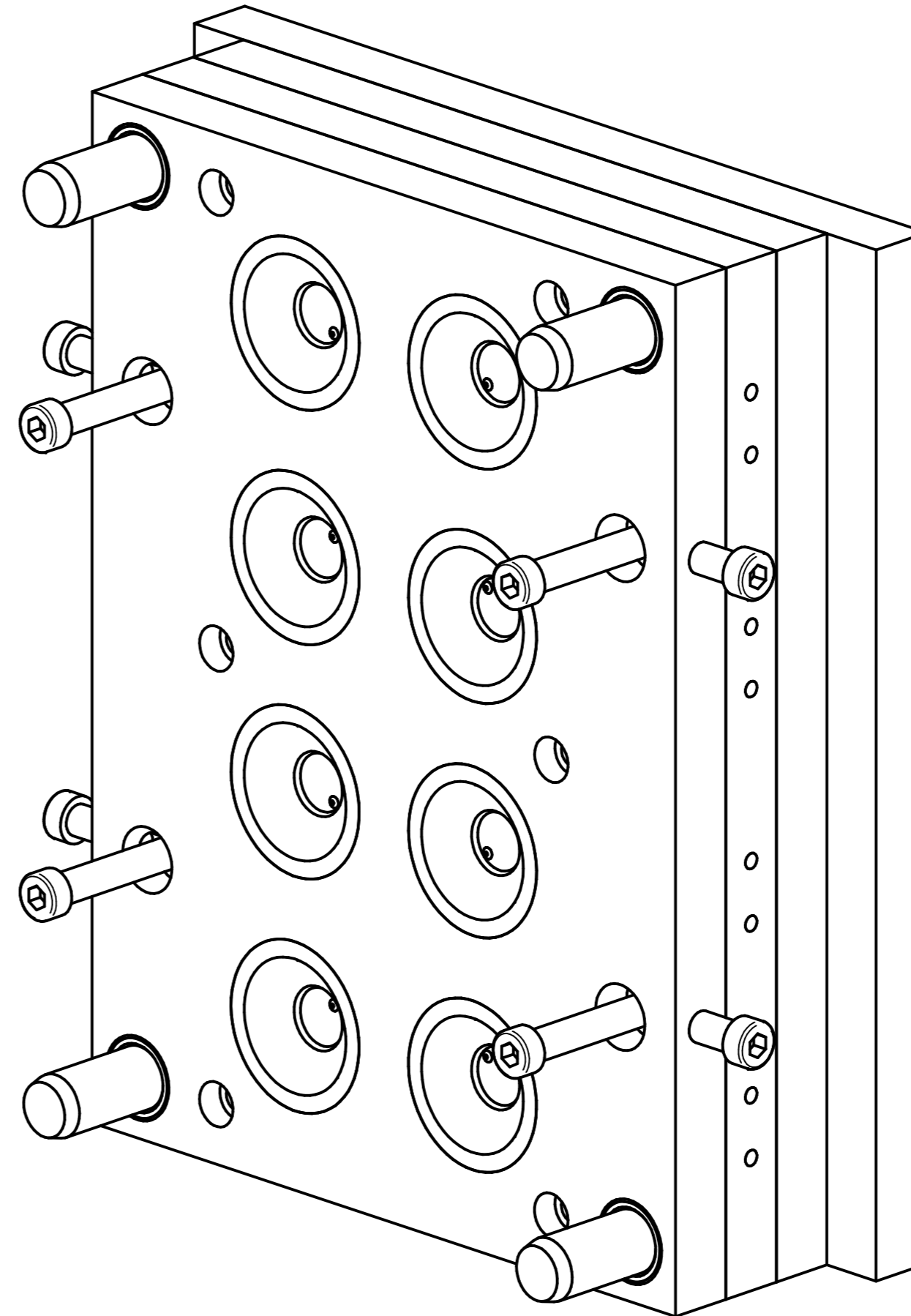
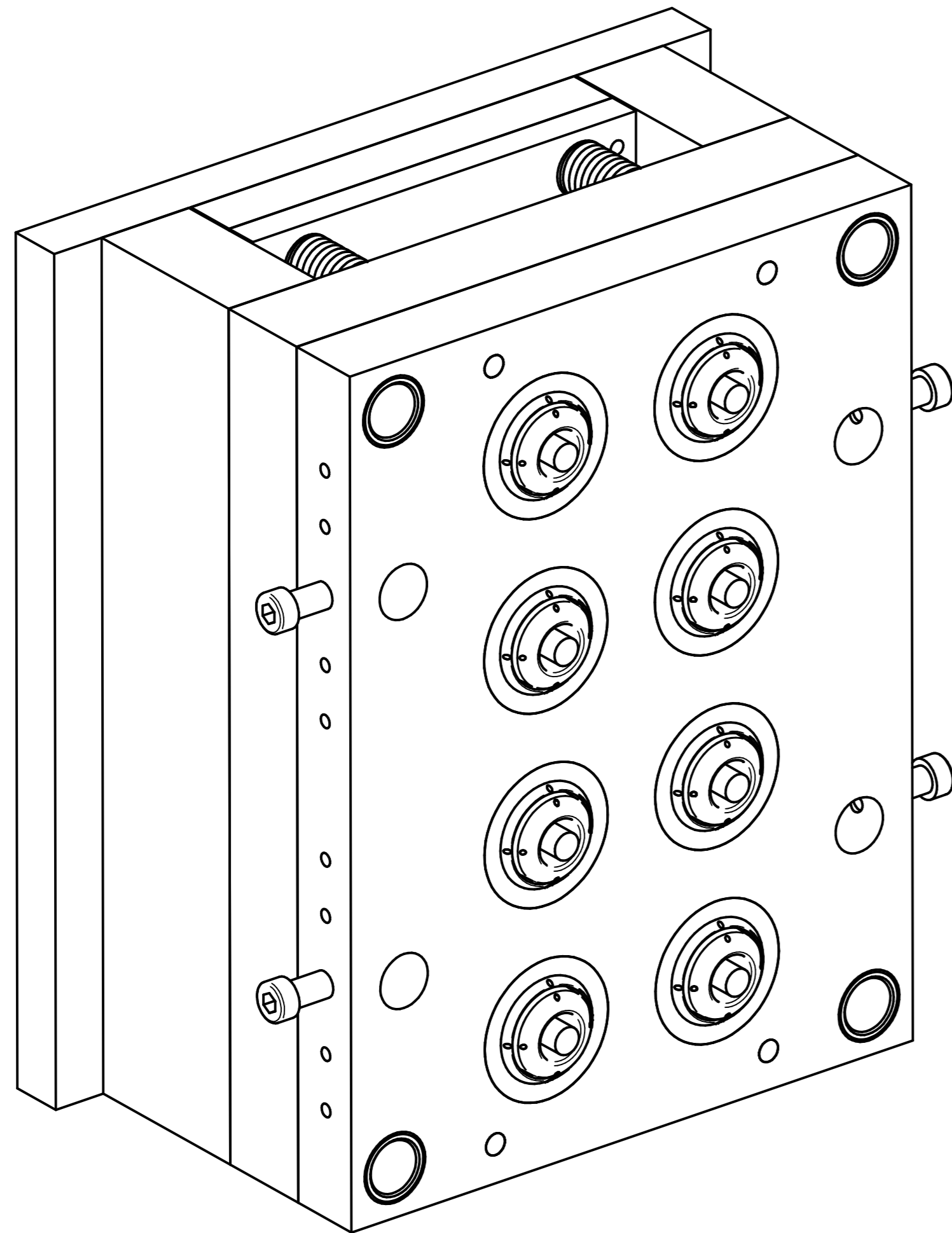
REVISION HISTORY			
REV	DESCRIPTION	DATE	APPROVED



Thread Guard Mould

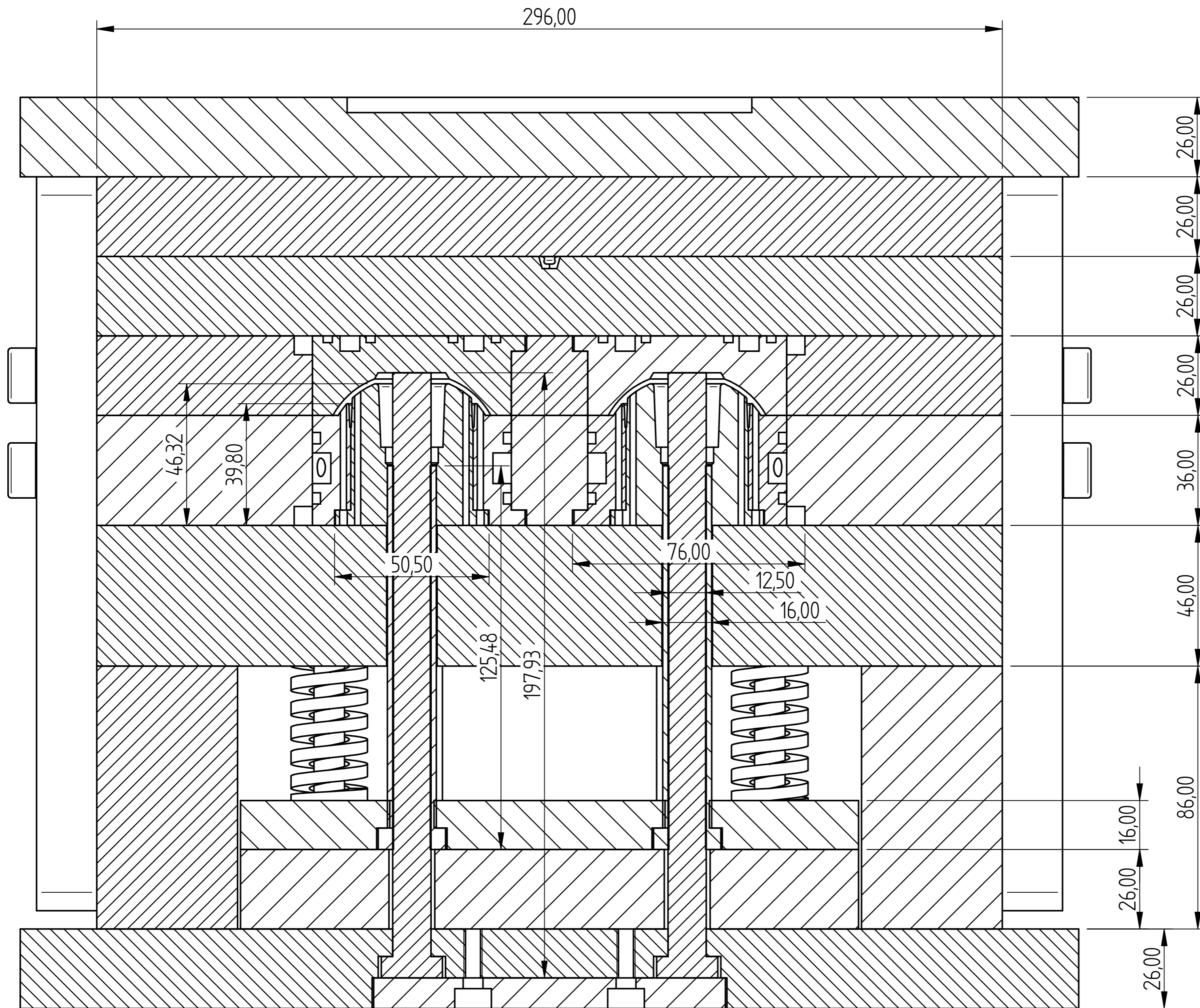
	NAME	DATE	AGRIGEL	
DRAWN	Dan	02/01/12		
APPROVED				
MATERIAL				
TREATMENT			TITLE	THREAD GUARD HUP 125X35H60
UNLESS OTHERWISE SPECIFIED DIMENSIONS ARE IN MILLIMETERS			SIZE	DWG NO
1 st ANGLE ANGLES ±0.1°			A4	
2 PL ±0.02 3 PL ±0.005			FILE NAME: Thread Guard Mould.dft	REV
			SCALE:	WEIGHT:
			SHEET 1 OF 10	

REVISION HISTORY			
REV	DESCRIPTION	DATE	APPROVED

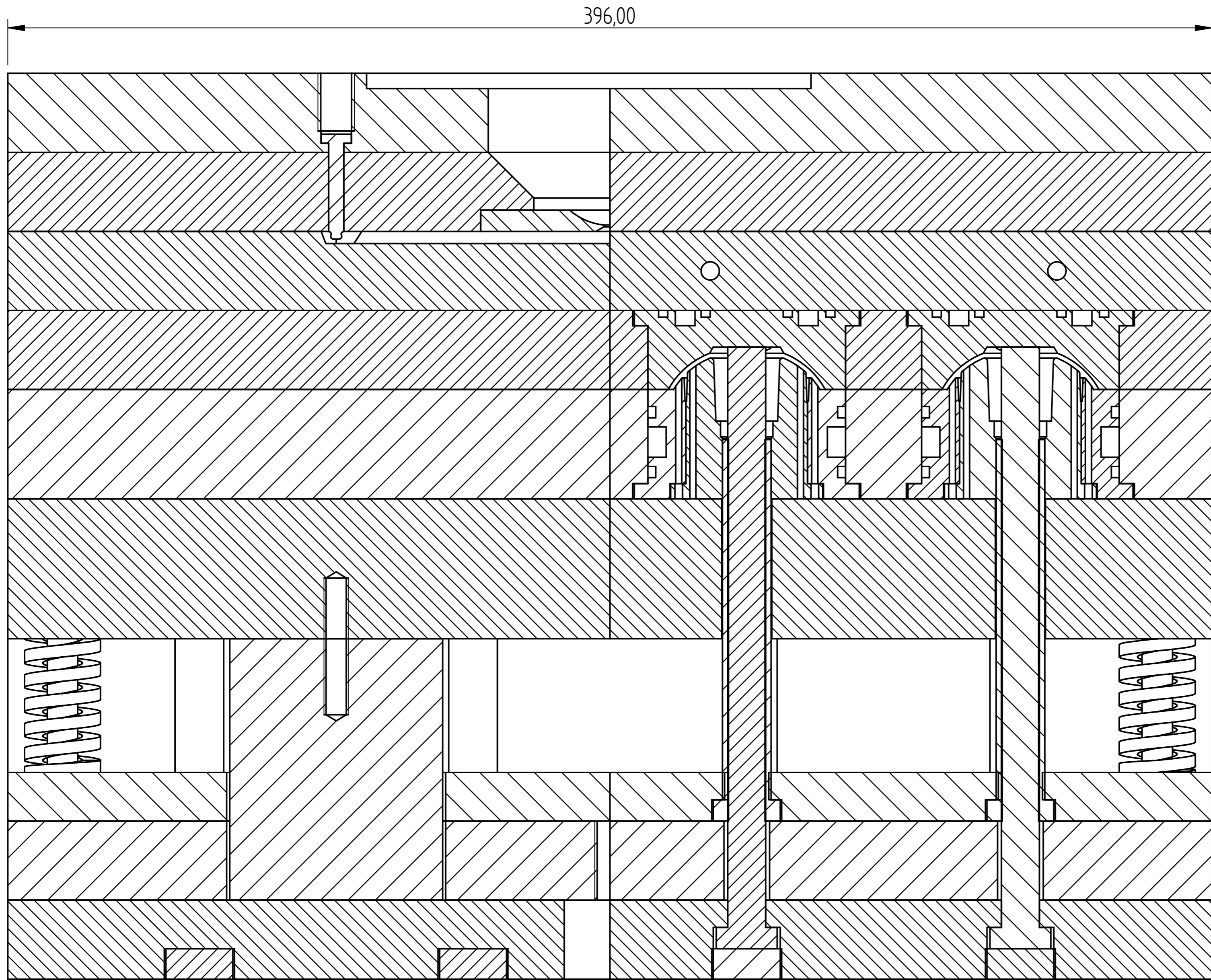


	NAME	DATE	AGRIGEL	
DRAWN	Dan	02/01/12		
APPROVED				
MATERIAL				
TREATMENT			TITLE	THREAD GUARD HUP 125X35H60
UNLESS OTHERWISE SPECIFIED DIMENSIONS ARE IN MILLIMETERS			SIZE	DWG NO
1st ANGLE ANGLES ±0.1°			A4	
2 PL ±0.02 3 PL ±0.005			FILE NAME: Thread Guard Mould.dft	REV
SCALE:		WEIGHT:	SHEET 2 OF 10	

REVISION HISTORY			
REV	DESCRIPTION	DATE	APPROVED



DRAWN	NAME	DATE	AGRIGEL	
APPROVED	Dan	02/01/12		
MATERIAL				
TREATMENT				
UNLESS OTHERWISE SPECIFIED DIMENSIONS ARE IN MILLIMETERS			SIZE	DWG NO
1st ANGLE ANGLES ±0.1°			A4	
2 PL ±0.02 3 PL ±0.005			FILE NAME: Thread Guard Mould.dft	REV
SCALE:	WEIGHT:	SHEET 3 OF 10		



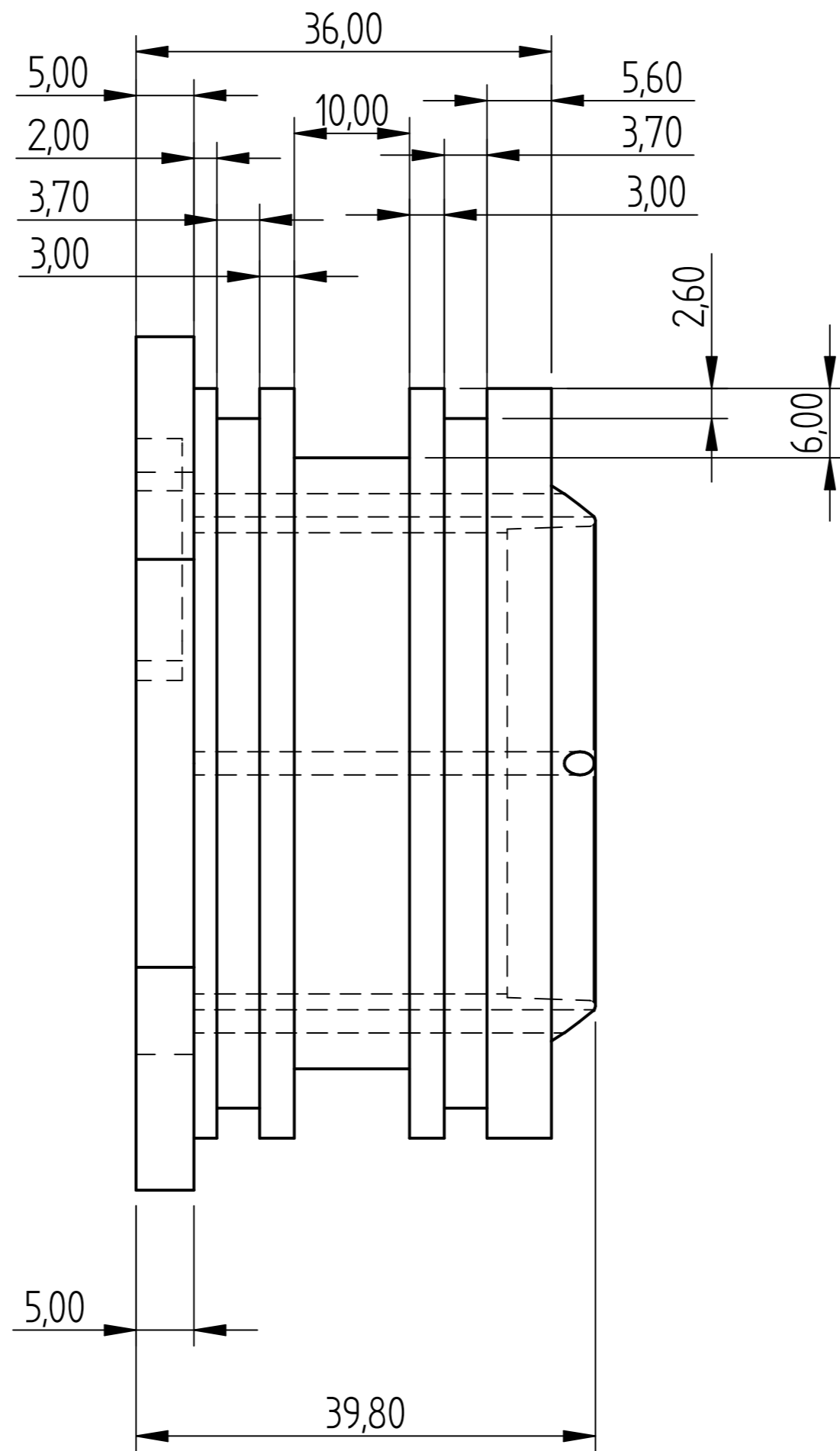
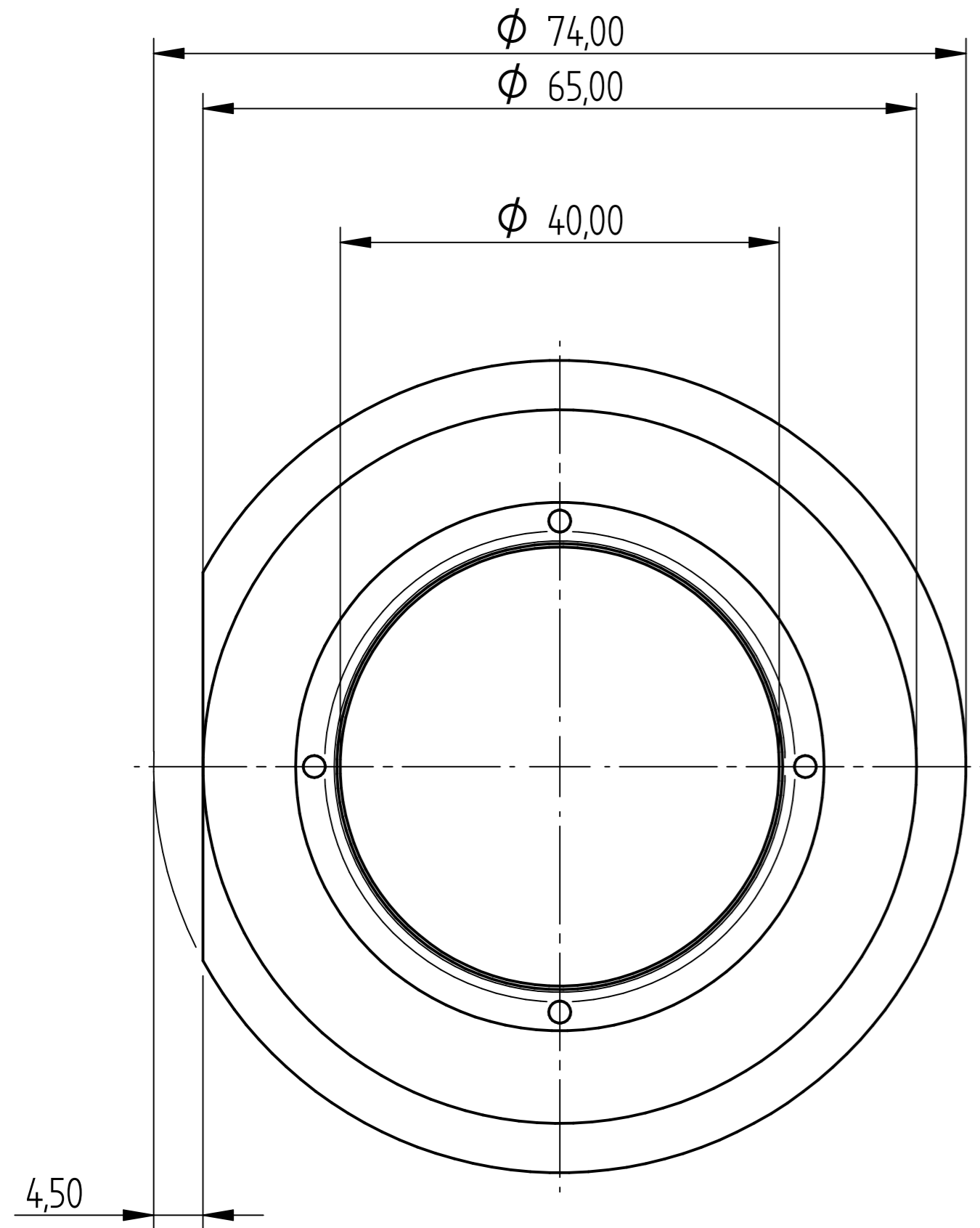
396,00

298,00

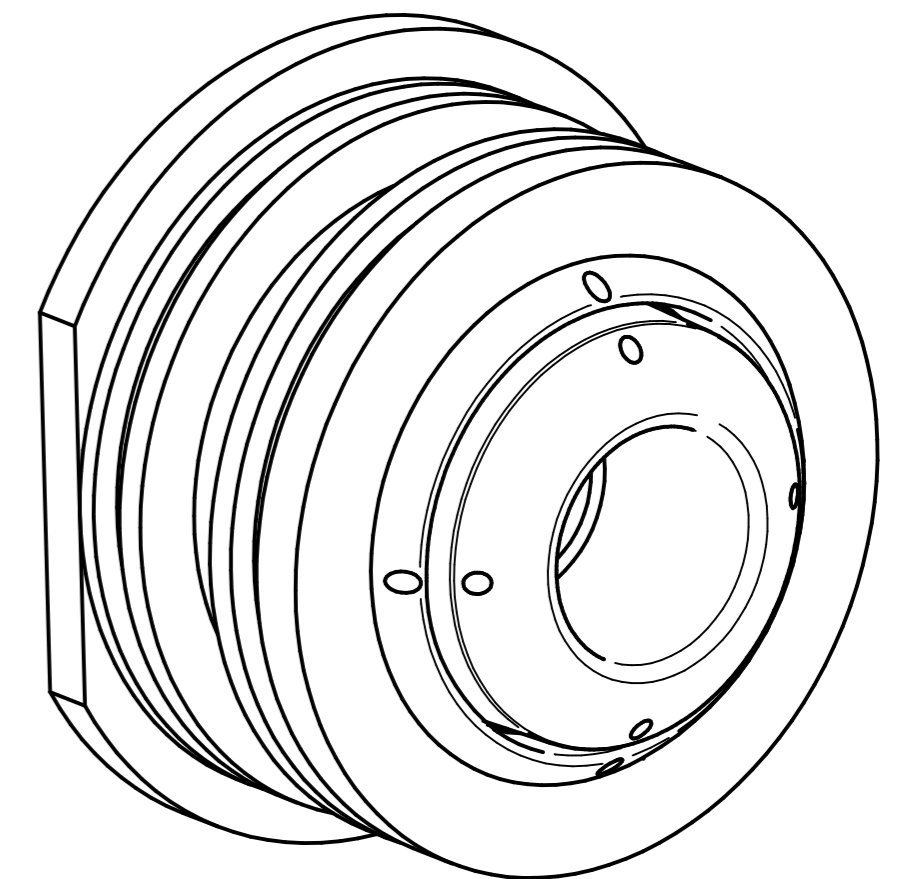
REVISION HISTORY			
REV	DESCRIPTION	DATE	APPROVED

DRAWN	NAME	DATE	AGRIGEL	
APPROVED	Dan	02/01/12	TITLE	
MATERIAL			THREAD GUARD HUP 125X35H60	
TREATMENT			SIZE	DWG NO
UNLESS OTHERWISE SPECIFIED DIMENSIONS ARE IN MILLIMETERS			A4	REV
1st ANGLE ANGLES ±0.1°			FILE NAME: Thread Guard Mould.dft	
2 PL ±0.02 3 PL ±0.005			SCALE:	WEIGHT:
			SHEET 4 OF 10	

REVISION HISTORY			
REV	DESCRIPTION	DATE	APPROVED



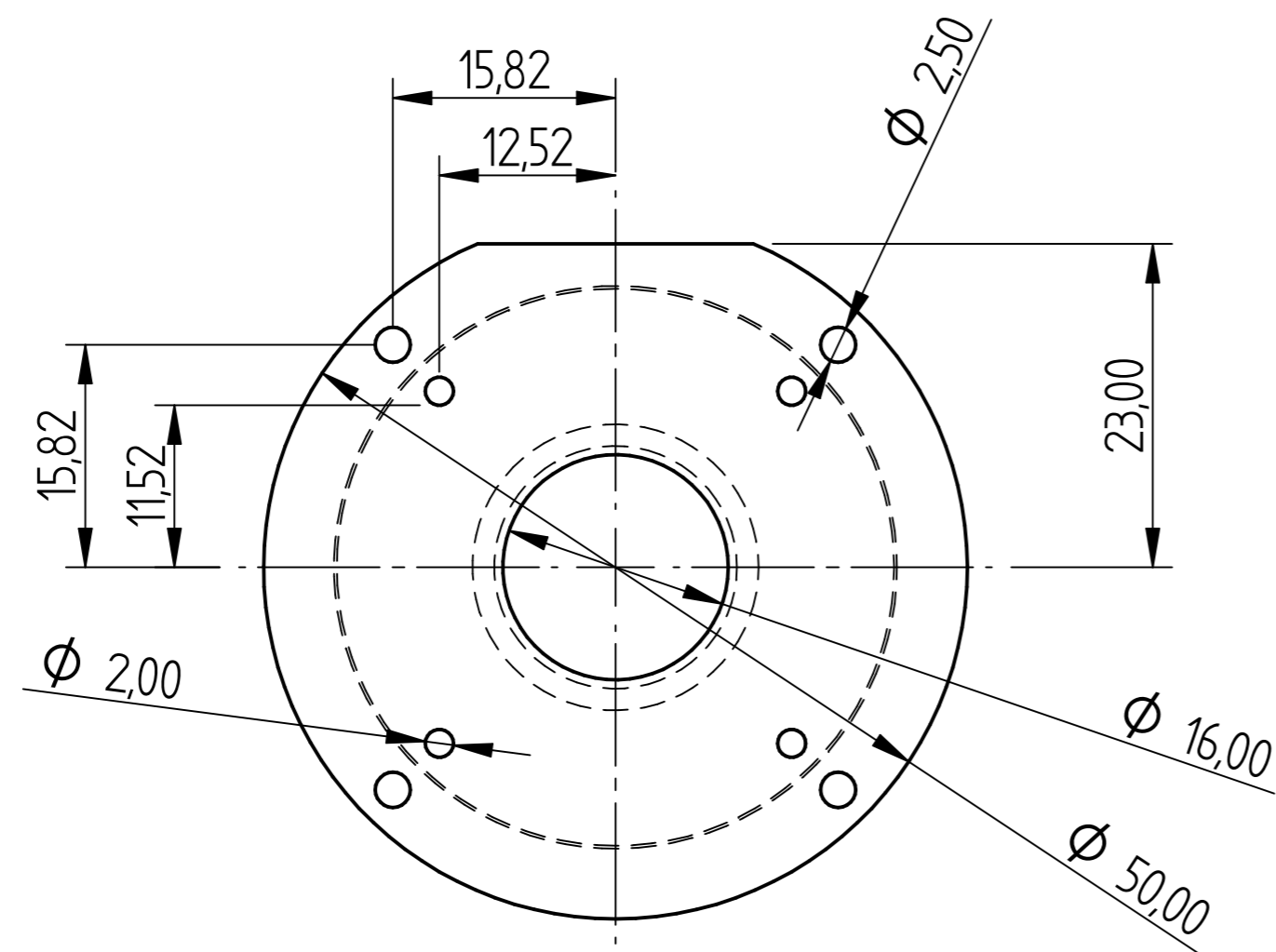
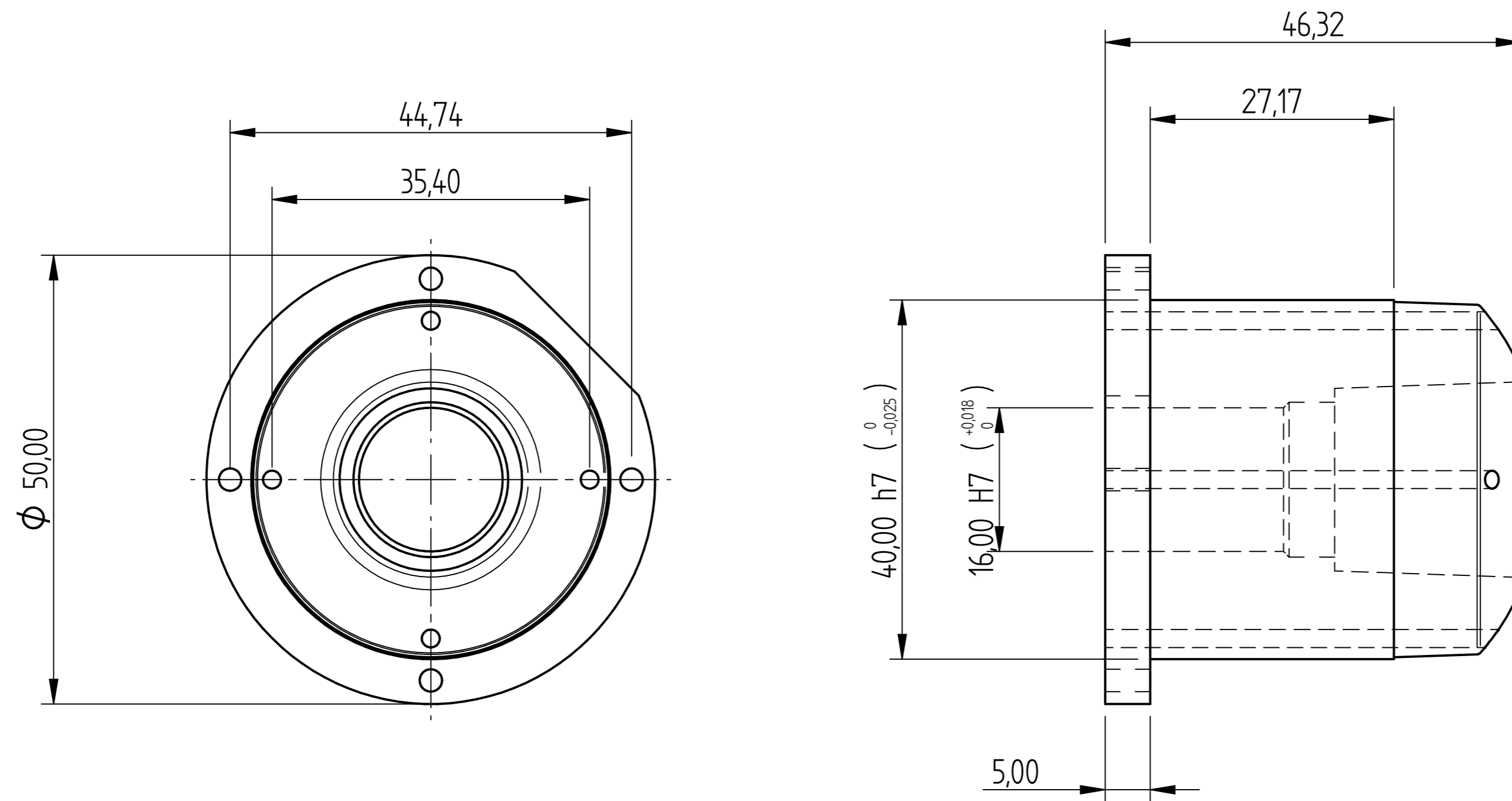
MACHINE BACK TO BACK WITH
FH INSERT 75 LONG
8 BILLETS



MH INSERT 8 OF

	NAME	DATE	AGRIGEL	
DRAWN	Dan	02/01/12		
APPROVED				
MATERIAL				
TREATMENT			TITLE	THREAD GUARD HUP 125X35H60
UNLESS OTHERWISE SPECIFIED DIMENSIONS ARE IN MILLIMETERS			SIZE	DWG NO
1 st ANGLE			A4	
2 PL ±0.02 3 PL ±0.005			FILE NAME: Thread Guard Mould.dft	REV
			SCALE:	WEIGHT:
			SHEET 5 OF 10	

REVISION HISTORY			
REV	DESCRIPTION	DATE	APPROVED

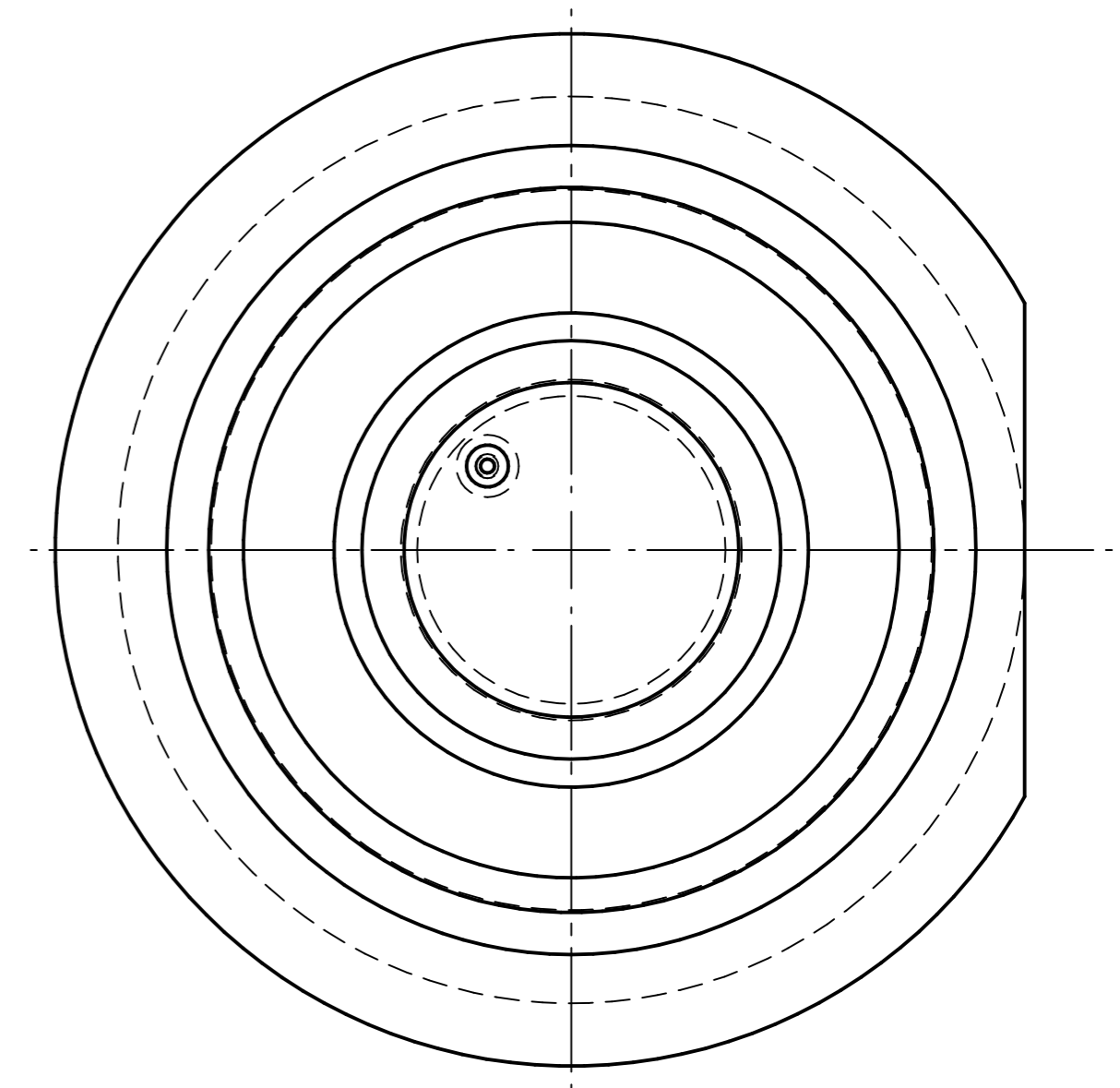
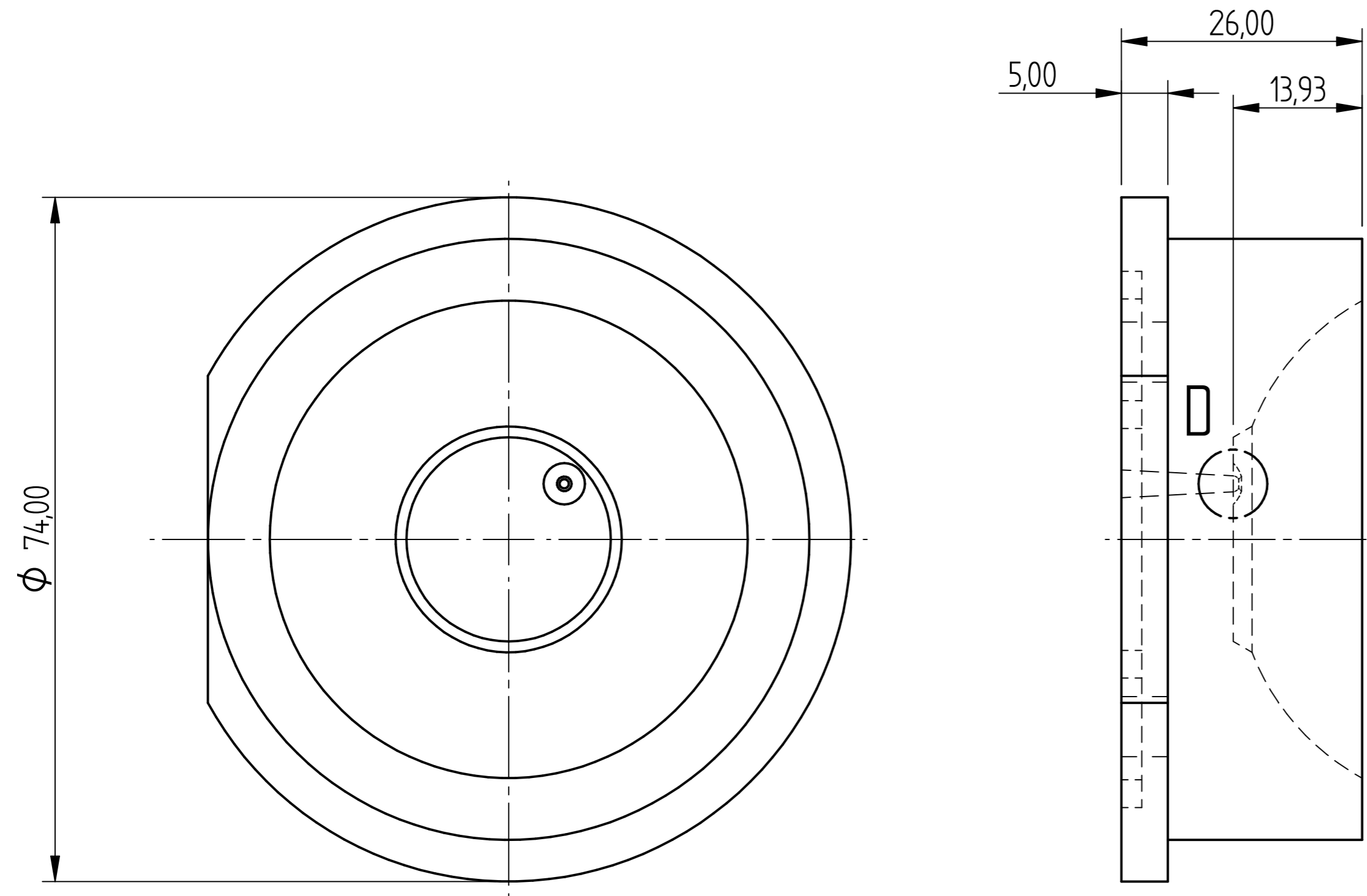


TURN BACK TO BACK 4 BILLETS 100mm LONG

CORE INSERT 8 OF

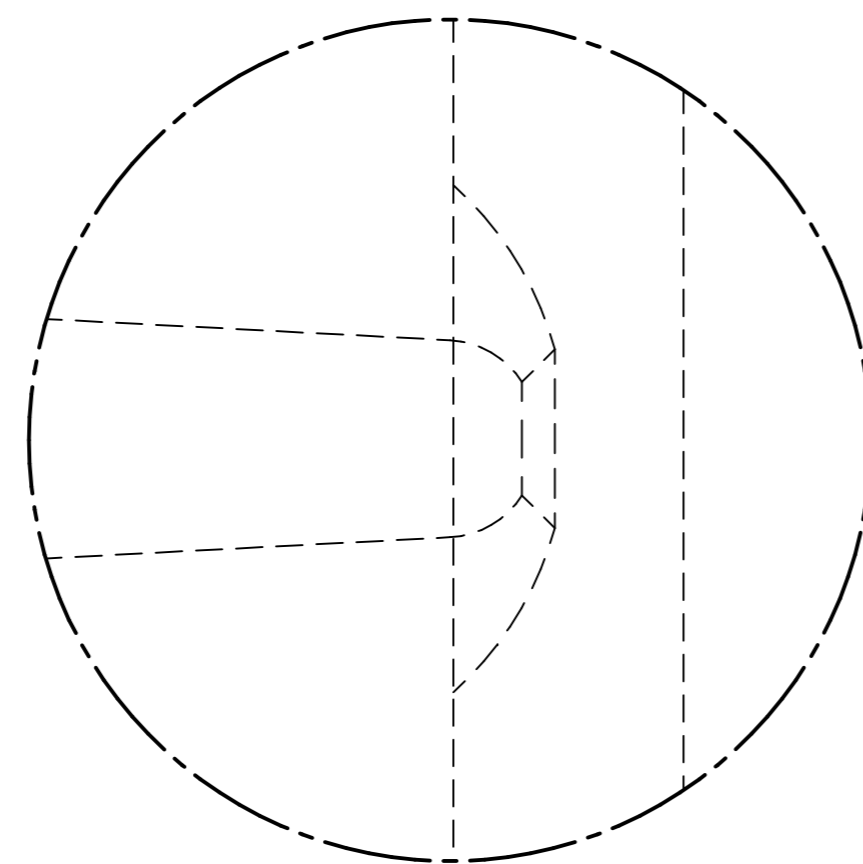
	NAME	DATE	AGRIGEL		
DRAWN	Dan	02/01/12			
APPROVED			TITLE THREAD GUARD HUP 125X35H60		
MATERIAL					
TREATMENT			SIZE A4	DWG NO	REV
UNLESS OTHERWISE SPECIFIED DIMENSIONS ARE IN MILLIMETERS			FILE NAME: Thread Guard Mould.dft		
1st ANGLE ANGLES ±0.1°			SCALE:	WEIGHT:	SHEET 6 OF 10
2 PL ±0.02 3 PL ±0.005					

REVISION HISTORY			
REV	DESCRIPTION	DATE	APPROVED



FH INSERTS


TURN WITH FH INSERTS



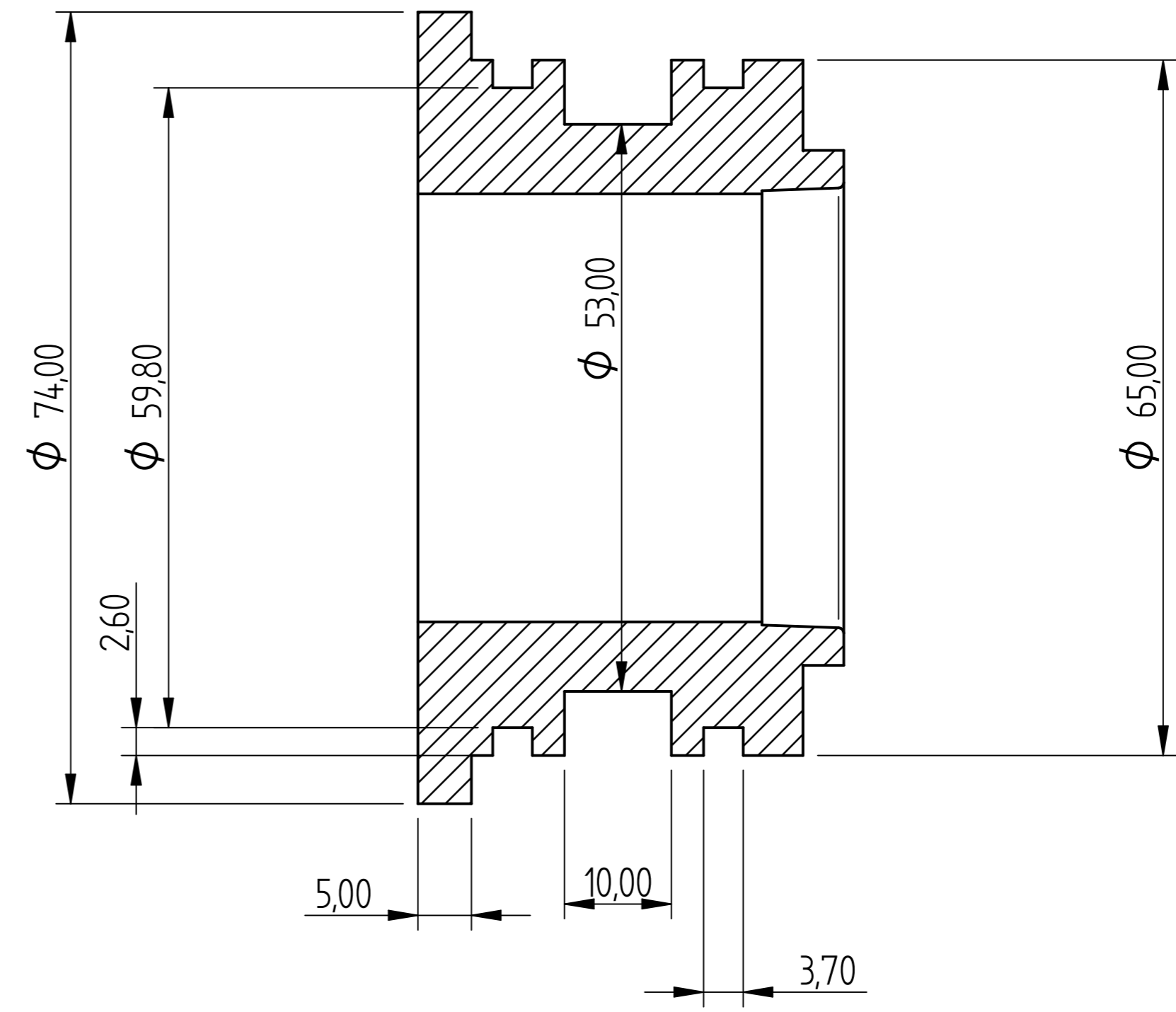
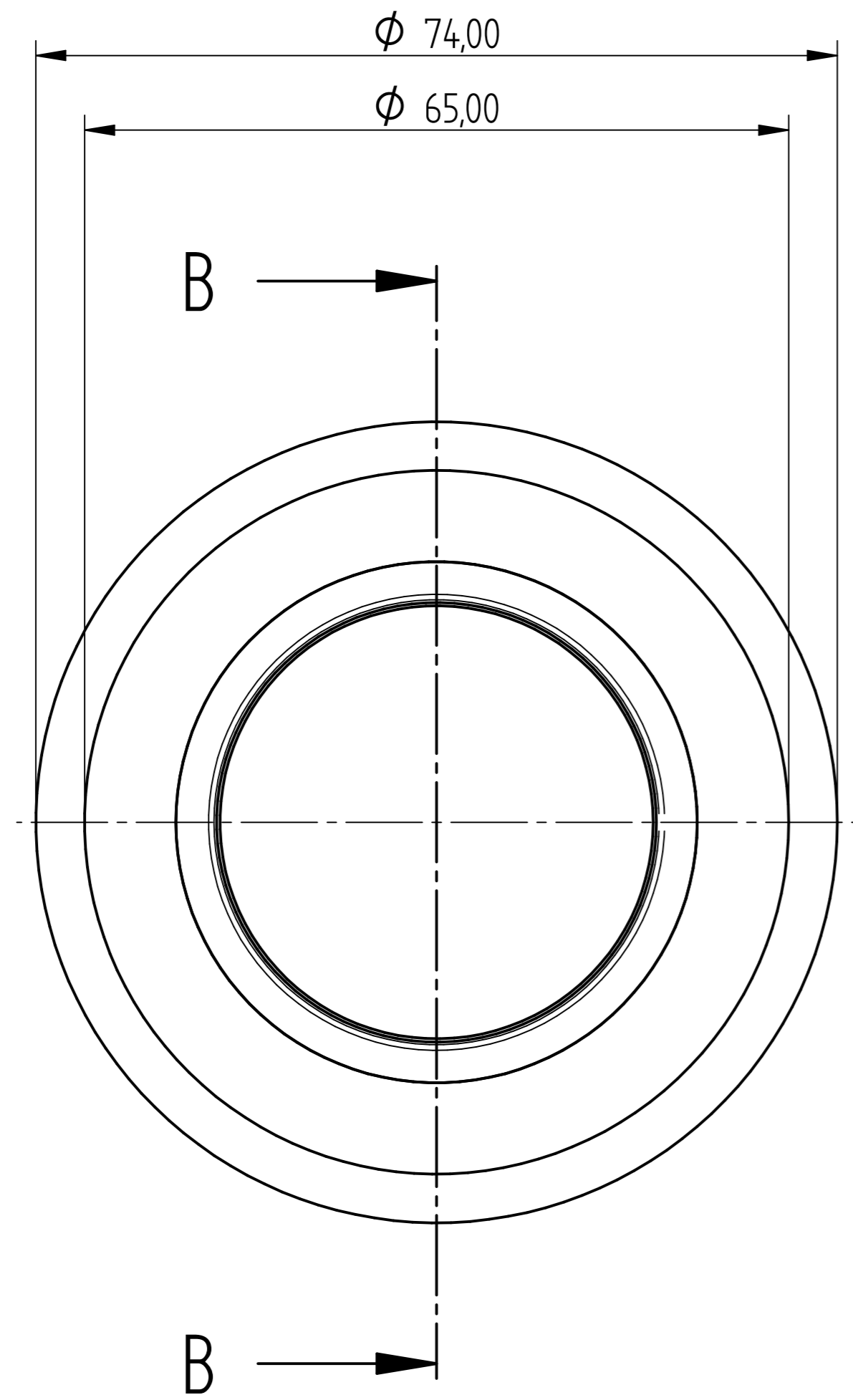
DETAIL D

	NAME	DATE	AGRIGEL		
DRAWN	Dan	02/01/12			
APPROVED			TITLE THREAD GUARD HUP 125X35H60		
MATERIAL					
TREATMENT			SIZE A4	DWG NO	REV
UNLESS OTHERWISE SPECIFIED DIMENSIONS ARE IN MILLIMETERS			FILE NAME: Thread Guard Mould.dft		
1 st ANGLE 2 PL ±0.02 3 PL ±0.005			SCALE:	WEIGHT:	SHEET 7 OF 10

REVISION HISTORY			
REV	DESCRIPTION	DATE	APPROVED

	NAME	DATE	AGRIGEL	
DRAWN	Dan	02/01/12		
APPROVED				
MATERIAL				
TREATMENT			TITLE	THREAD GUARD HUP 125X35H60
UNLESS OTHERWISE SPECIFIED DIMENSIONS ARE IN MILLIMETERS			SIZE A4	DWG NO
1 st ANGLE  2 PL ±0.02 3 PL ±0.005			FILE NAME: Thread Guard Mould.dft	
			SCALE:	WEIGHT:
			SHEET 8 OF 10	

REVISION HISTORY			
REV	DESCRIPTION	DATE	APPROVED

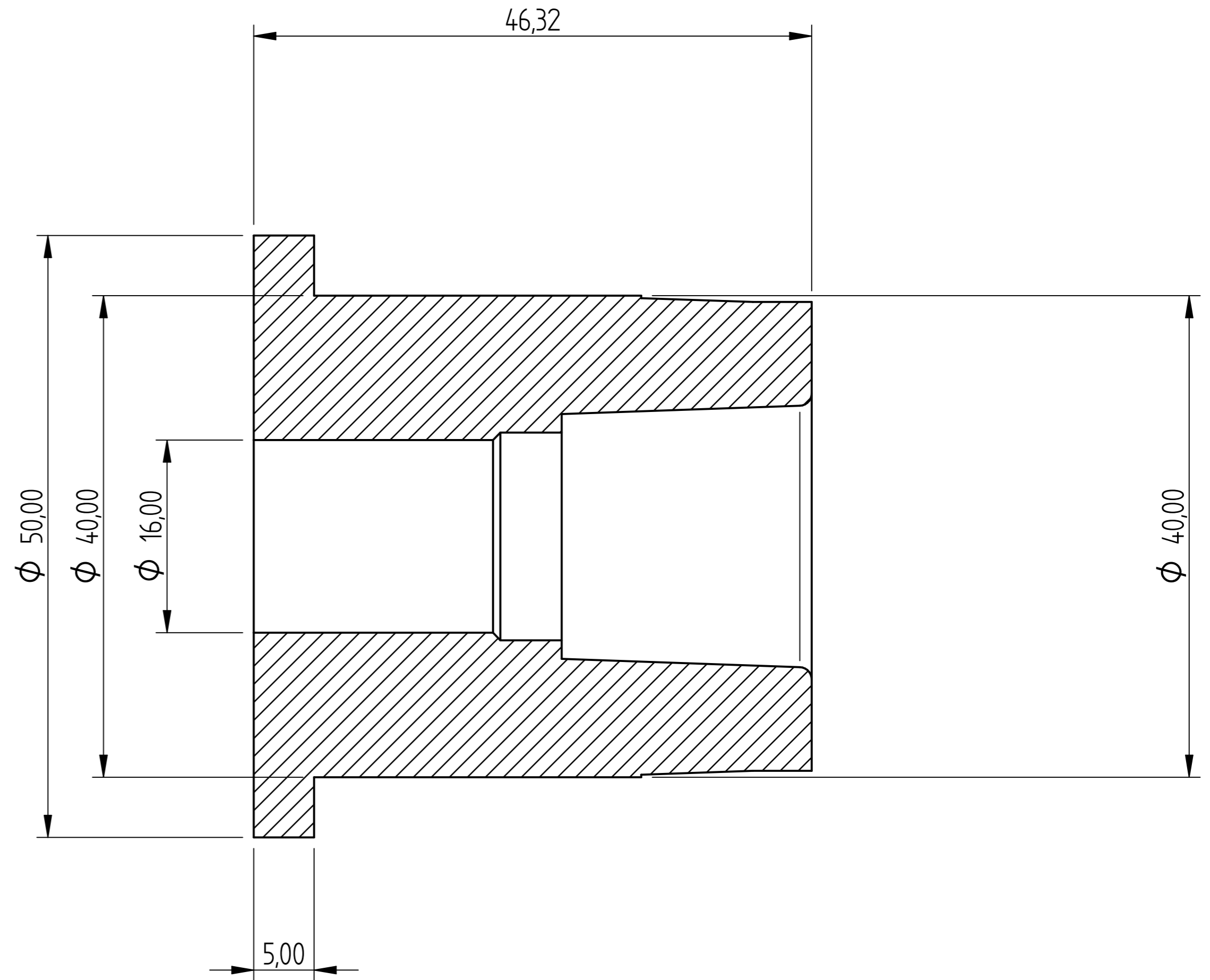
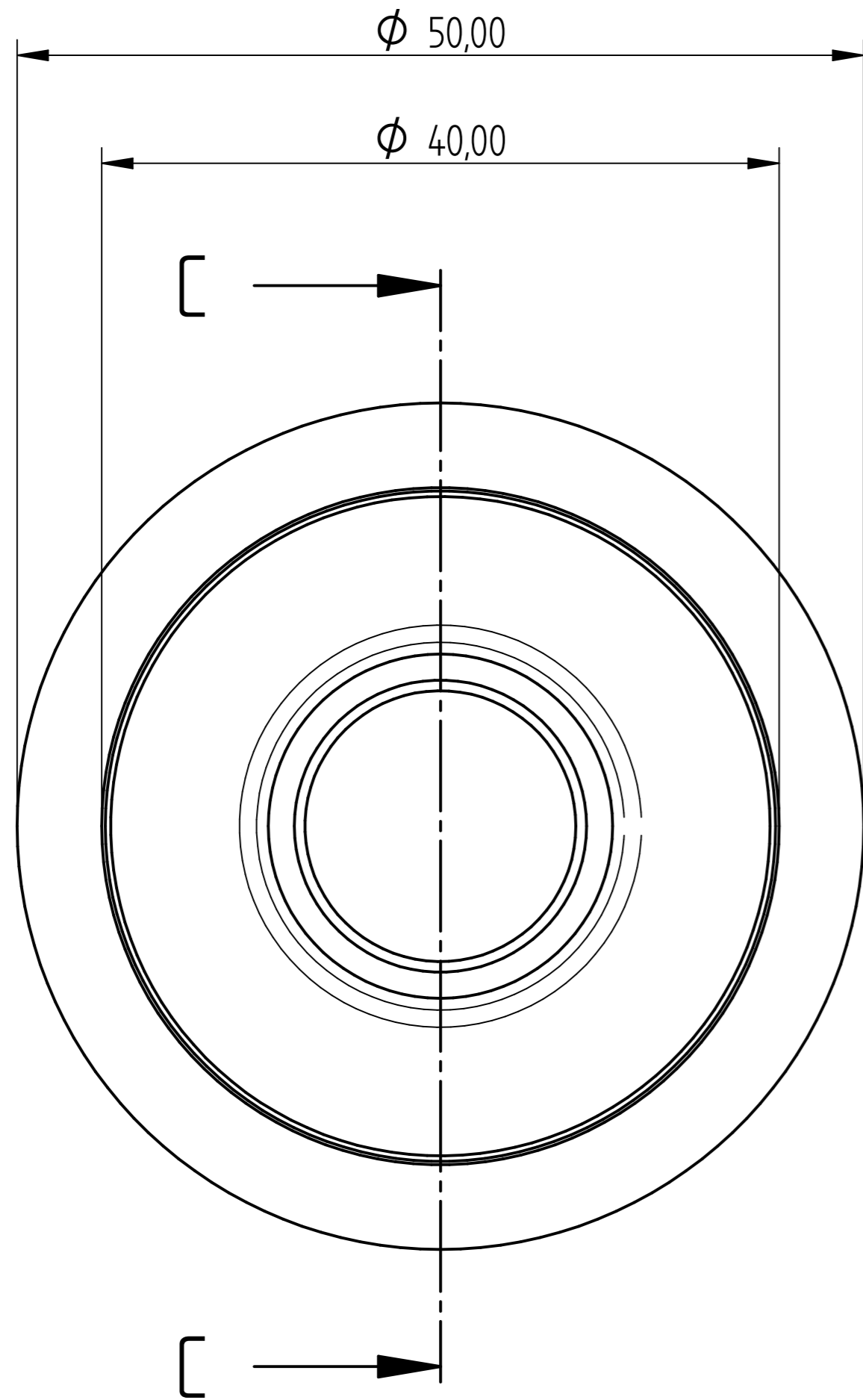


SECTION B-B

CHANGE

	NAME	DATE	AGRIGEL	
DRAWN	Dan	02/01/12	TITLE	
APPROVED			THREAD GUARD HUP 125X35H60	
MATERIAL			SIZE	DWG NO
TREATMENT			A4	
UNLESS OTHERWISE SPECIFIED DIMENSIONS ARE IN MILLIMETERS			FILE NAME: Thread Guard Mould.dft	REV
1 st ANGLE ANGLES $\pm 0,1^\circ$			SCALE:	WEIGHT:
2 PL $\pm 0,02$ 3 PL $\pm 0,005$				SHEET 9 OF 10

REVISION HISTORY			
REV	DESCRIPTION	DATE	APPROVED



SECTION C-C

CHANGE

	NAME	DATE	AGRIGEL	
DRAWN	Dan	02/01/12		
APPROVED				
MATERIAL			TITLE	
TREATMENT			THREAD GUARD HUP 125X35H60	
UNLESS OTHERWISE SPECIFIED DIMENSIONS ARE IN MILLIMETERS			SIZE A4	DWG NO
1 st ANGLE ANGLES ±0,1°			FILE NAME: Thread Guard Mould.dft	REV
2 PL ±0,02 3 PL ±0,005			SCALE:	WEIGHT:
			SHEET 10 OF 10	