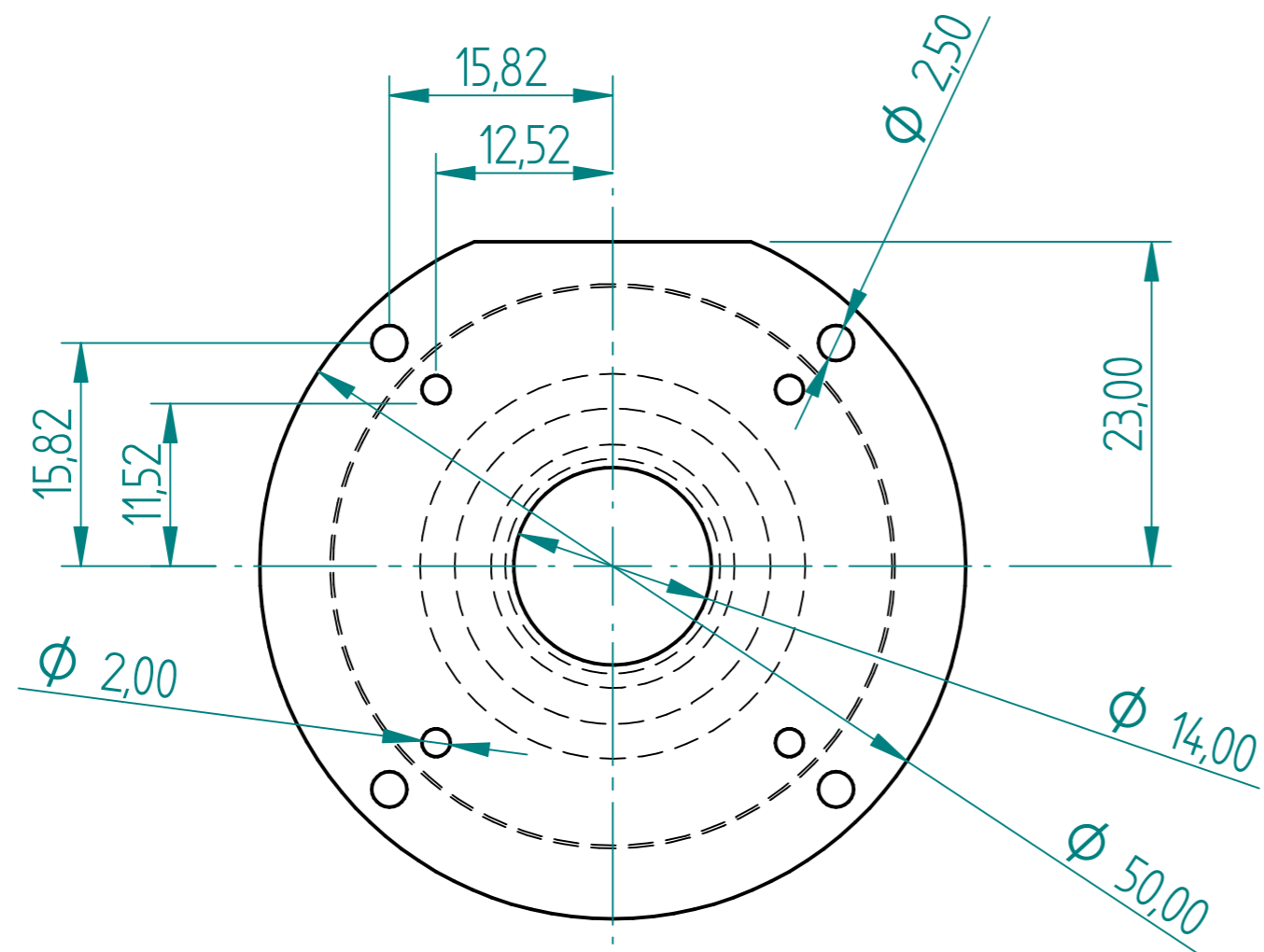
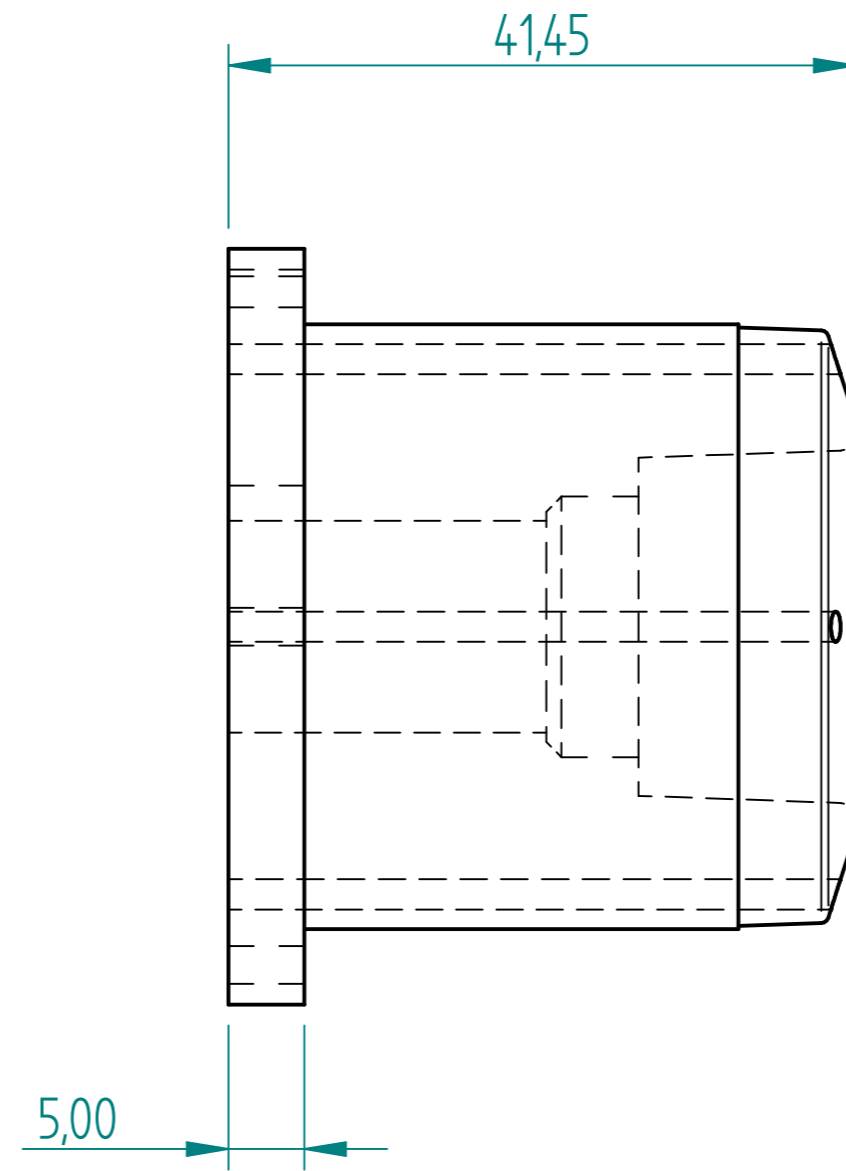
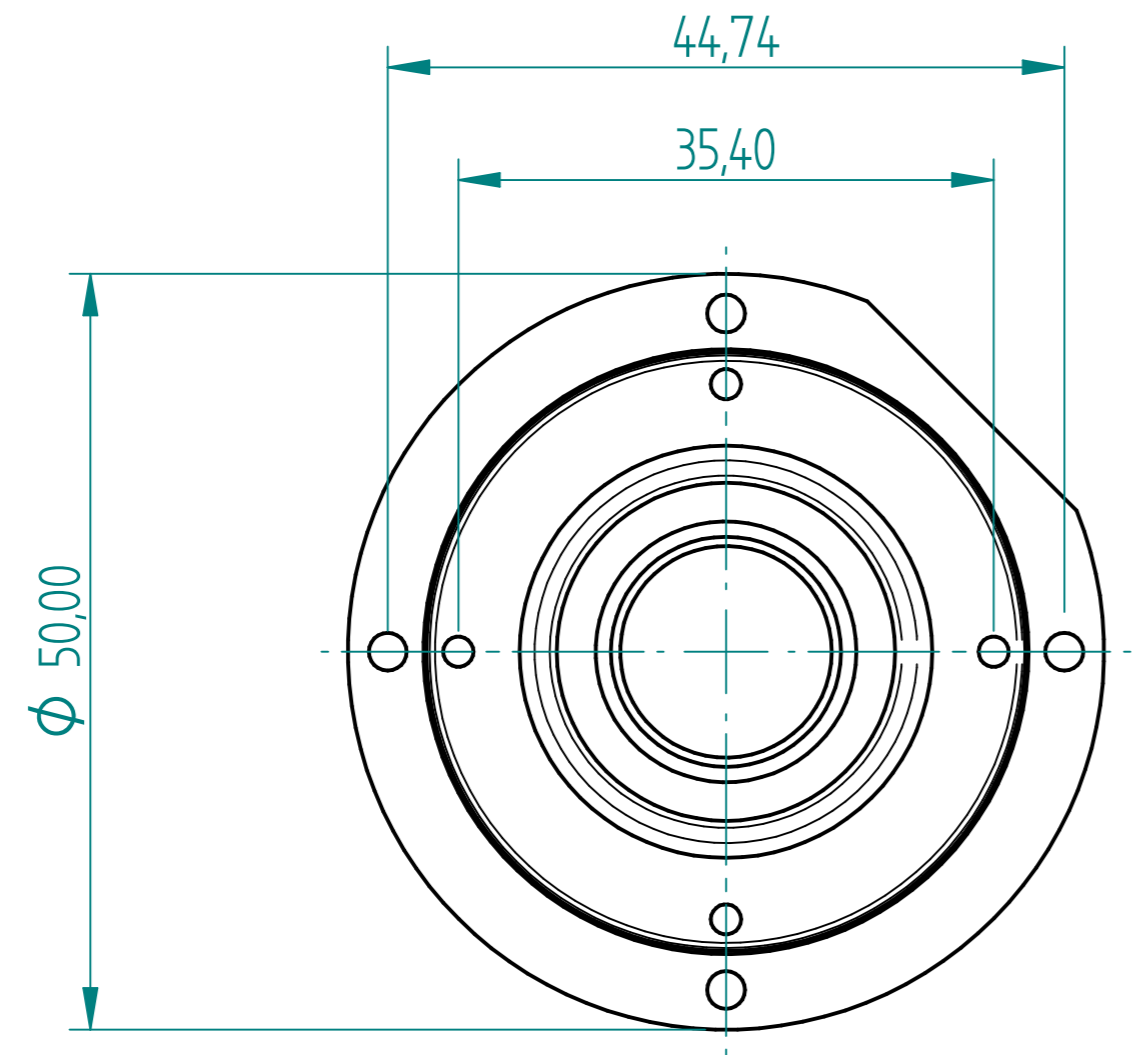


REVISION HISTORY			
REV	DESCRIPTION	DATE	APPROVED



CORE INSERT 8 OF

	NAME	DATE	AGRIGEL	
DRAWN	Dan	08/23/11		
APPROVED			TITLE	
MATERIAL				
TREATMENT				
UNLESS OTHERWISE SPECIFIED DIMENSIONS ARE IN MILLIMETERS			SIZE A4	DWG NO
1 st ANGLE ANGLES $\pm 0,1^\circ$			FILE NAME: Thread Guard Mould.dft	
2 PL $\pm 0,02$ 3 PL $\pm 0,005$			SCALE:	WEIGHT:
			SHEET 4 OF 5	