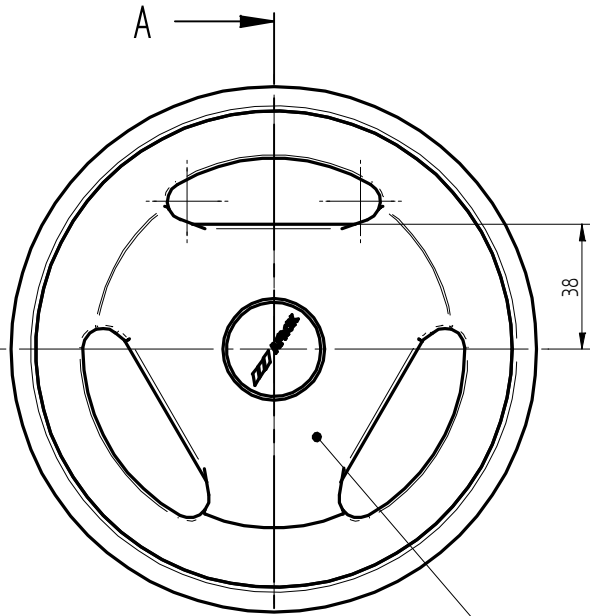
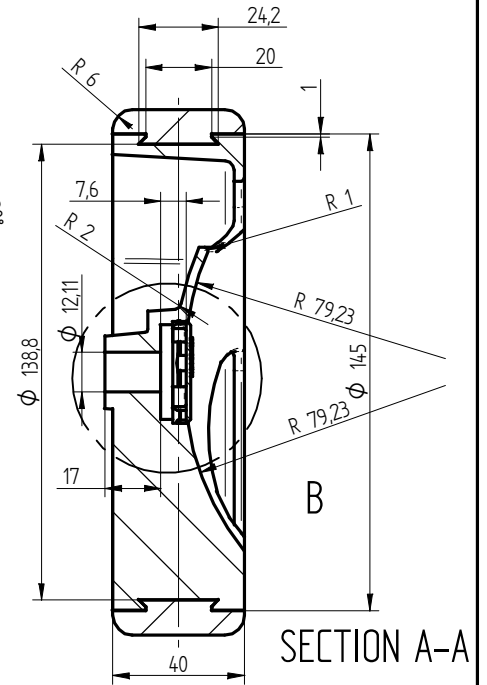
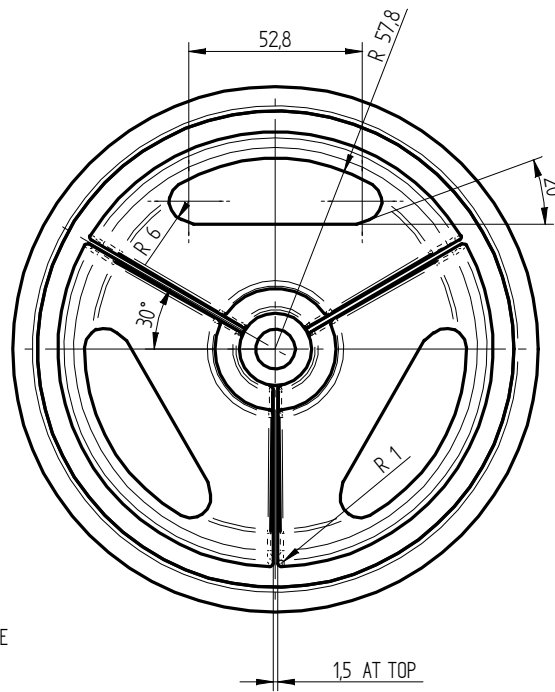


TYRE:  
BLACK 70 SHORE A TPE

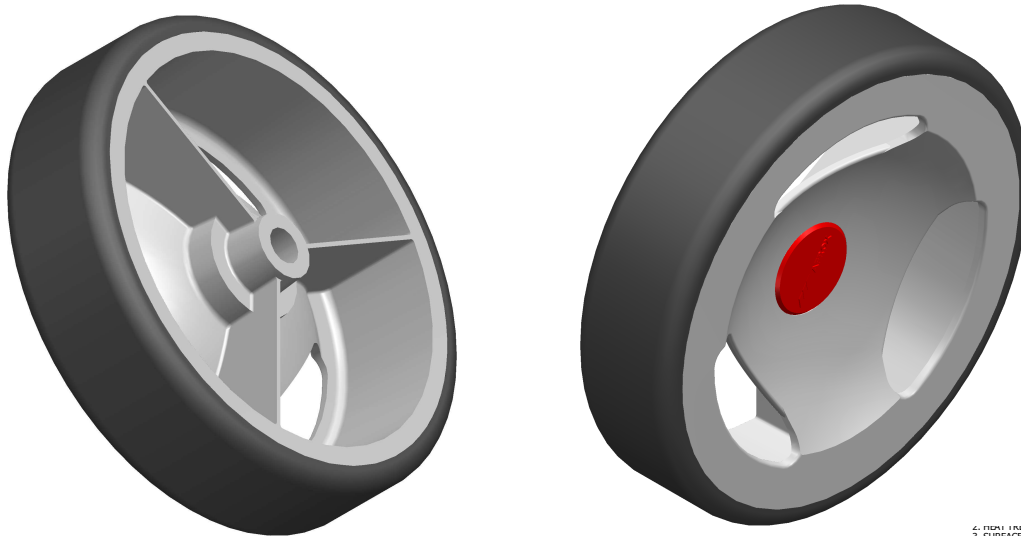
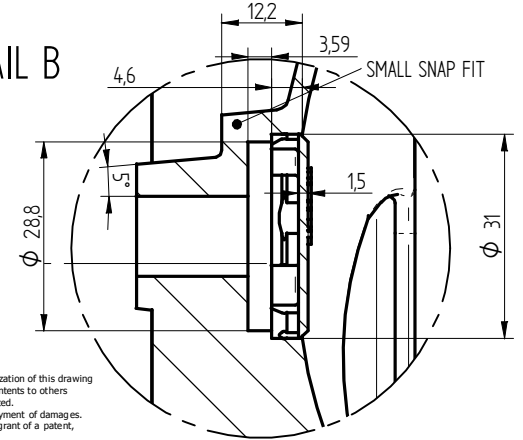


POLYPROPYLENE



SECTION A-A

DETAIL B



The reproduction, distribution and utilization of this drawing as well as the communication of its contents to others without explicit authorization is prohibited. Offenders will be held liable for the payment of damages. All rights reserved in the event of the grant of a patent, utility model or design.

DIMENSIONS, DO NOT SCALE  
1. SURFACE FINISH: NONE  
2. SURFACE FINISH: OFF-MOULD

TOOL NUMBER:		MATERIAL:		ITEM WEIGHT IN KG		 TENTE CASTORS SA (PTY) LTD TEL 011 397-4750 FAX 011 397-4311	
				.KG			
9		MATERIAL CODE:		ITEM CODE:		DESCRIPTION <b>PJO 160 X 40 WHEEL</b>	
8							
7						DRAWING NUMBER <b>TSA 13</b>	
6		NAME: S.THOMAS		DESCRIPTION			
5		DATE: 14 APRIL 2010				SCALES 1 : 1 U.O.S.	
4		CHECKED:					
3		APPROVED:				DO NOT CHANGE BY HAND	
2		SUB-DIR: TENTE\FROX		DRAWING NUMBER			
1	TM	--	ST	CADFILE: FROX PJO 160X40	1		 U.O.S.
REV	CHANGE	DATE	NAME	SOLID EDGE CAD FORMAT	SHEET 1 OF	1	