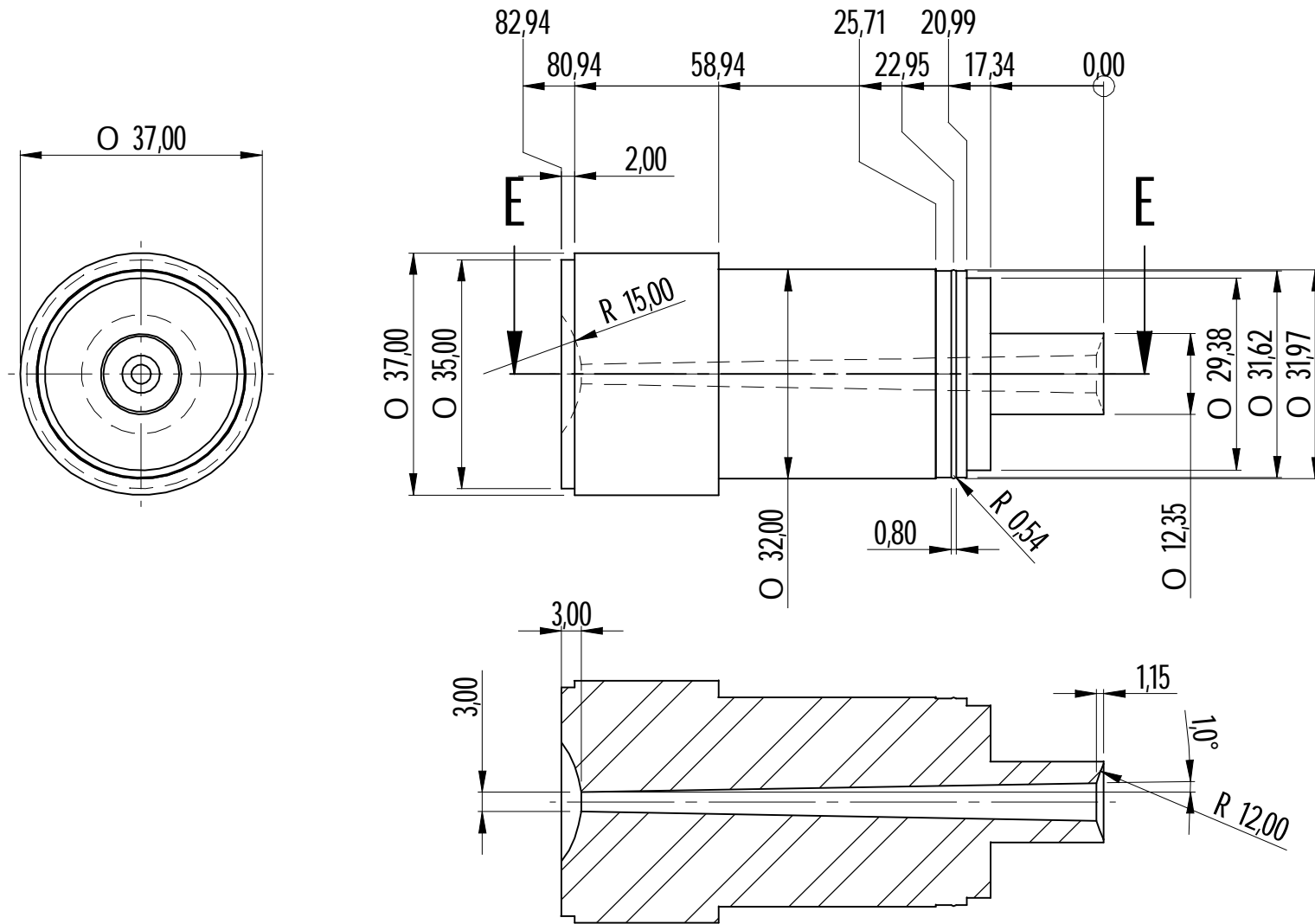


REVISION HISTORY			
REV	DESCRIPTION	DATE	APPROVED

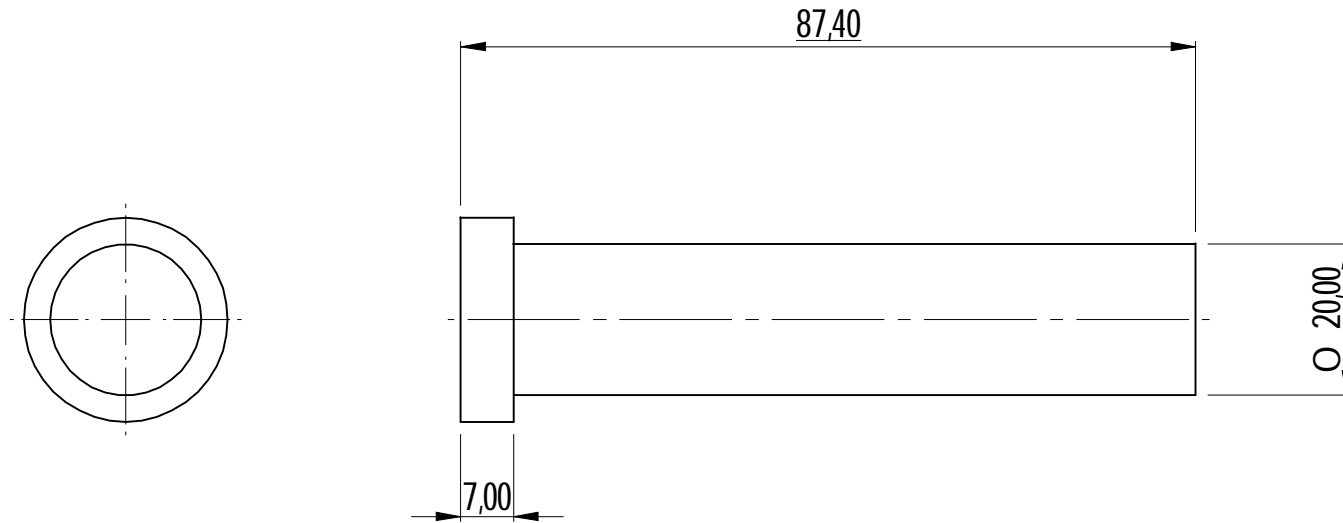


SPRUE

SECTION E-E

DRAWN	NAME	DATE	PREMAC	
APPROVED	Dan	11/22/10	TITLE	
MATERIAL			FILE NAME: Wheel Centre Mould.dft	
TREATMENT			SCALE:	WEIGHT:
UNLESS OTHERWISE SPECIFIED DIMENSIONS ARE IN MILLIMETERS ANGLES ±0.1°			SIZE A4	DWG NO
3:15 ANGLE			2 PL ±0.02	3 PL ±0.005
			SHEET 11 OF 14	

REVISION HISTORY			
REV	DESCRIPTION	DATE	APPROVED



DIA 20 EJECTOR PIN

	NAME	DATE	PREMAC	
DRAWN	Dan	11/22/10		
APPROVED			TITLE	
MATERIAL				
TREATMENT				
UNLESS OTHERWISE SPECIFIED DIMENSIONS ARE IN MILLIMETERS ANGLES ±0.1°			SIZE A4	DWG NO
2 PL ±0.02 3 PL ±0.005			FILE NAME: Wheel Centre Mould.dft	
			SCALE:	WEIGHT: SHEET 14 OF 14