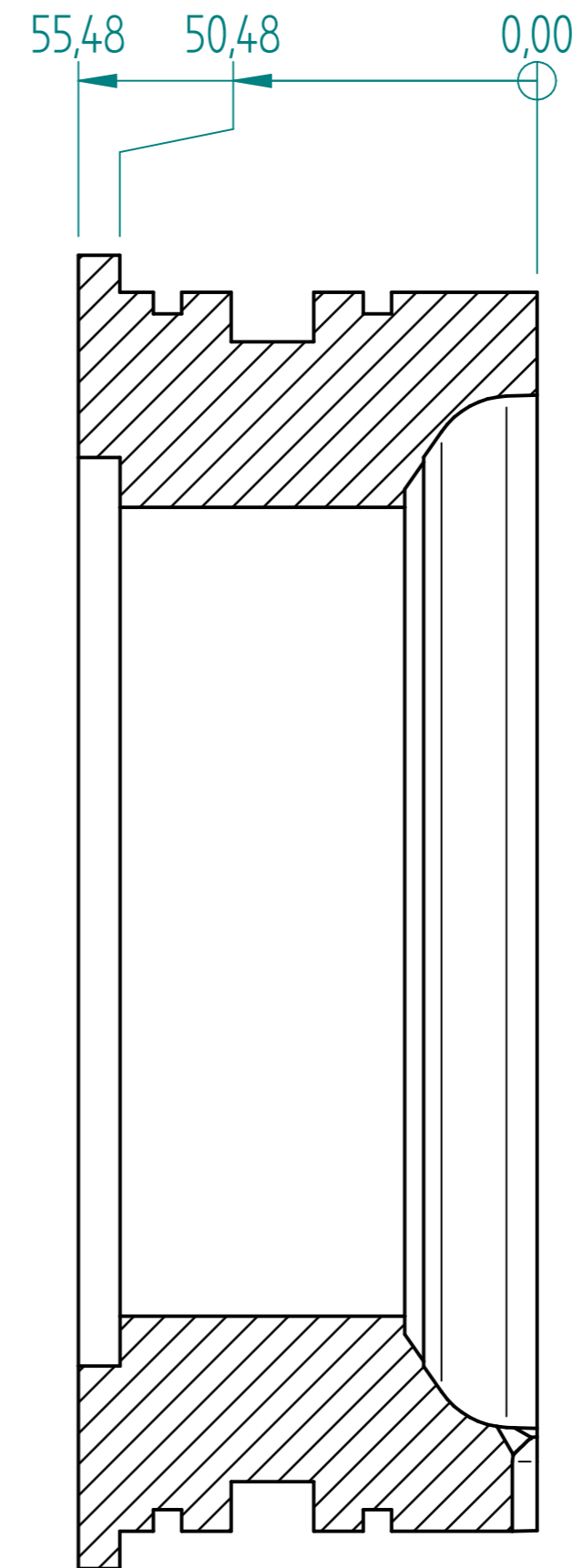
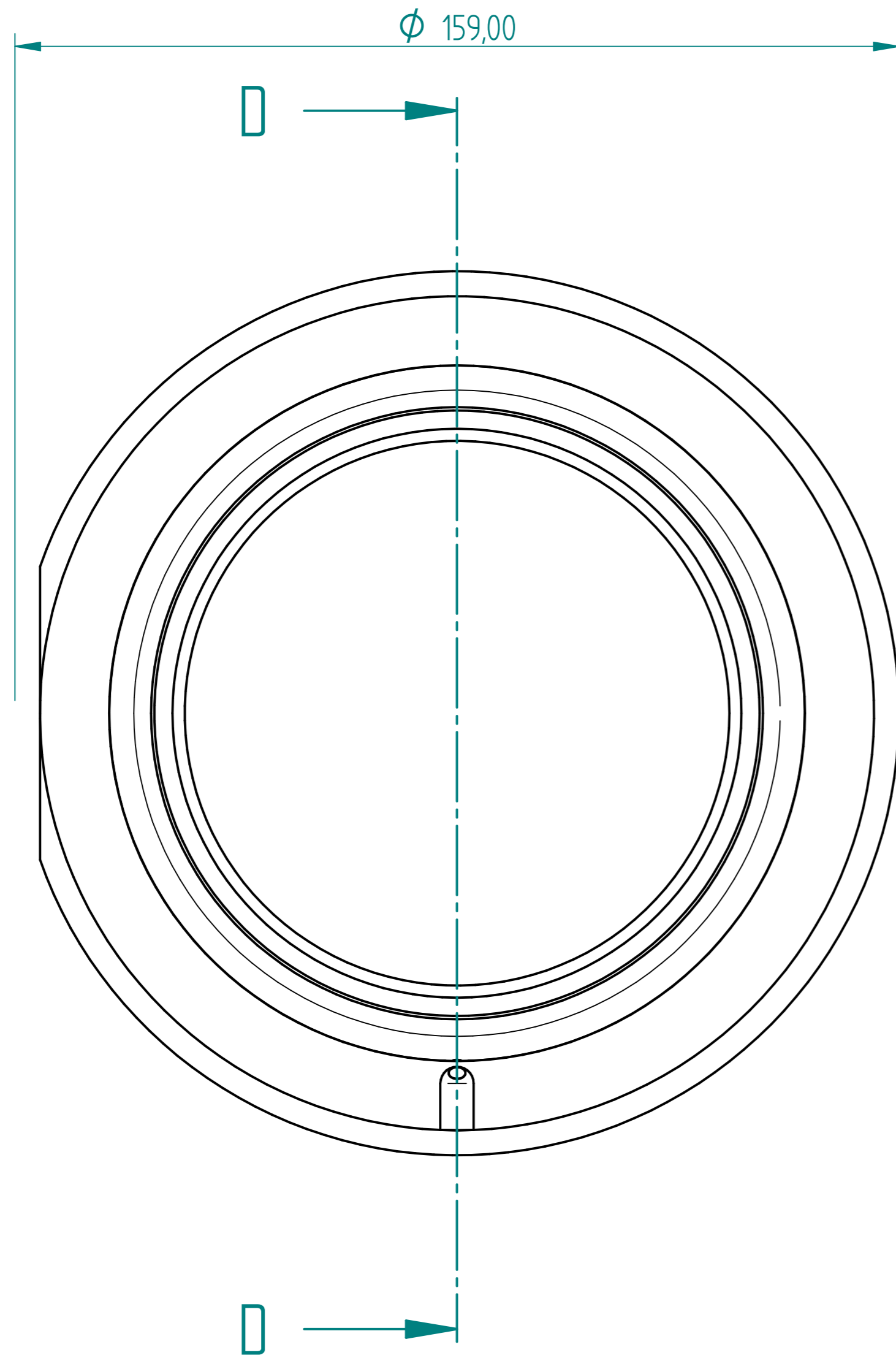




REVISION HISTORY			
REV	DESCRIPTION	DATE	APPROVED

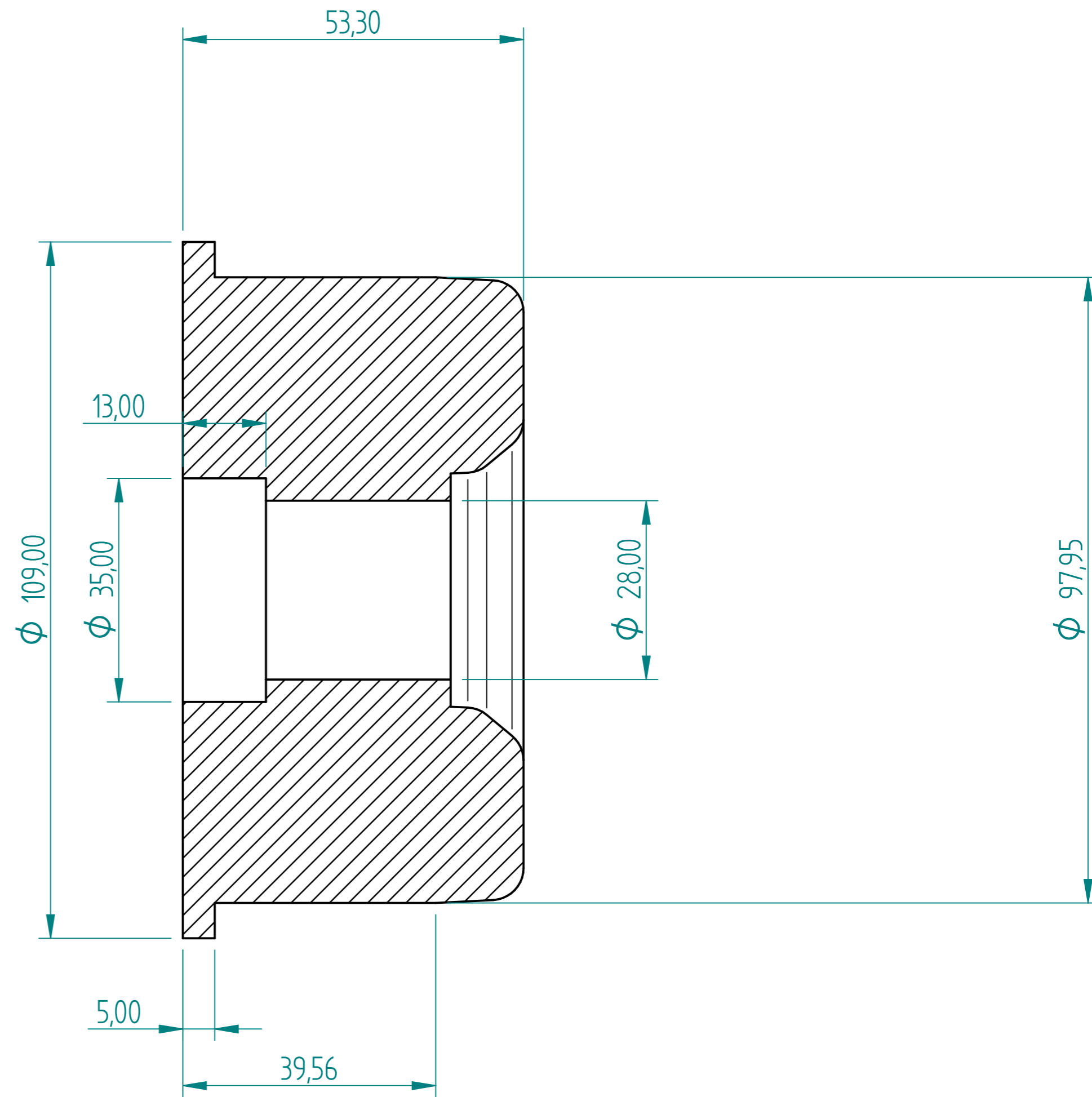
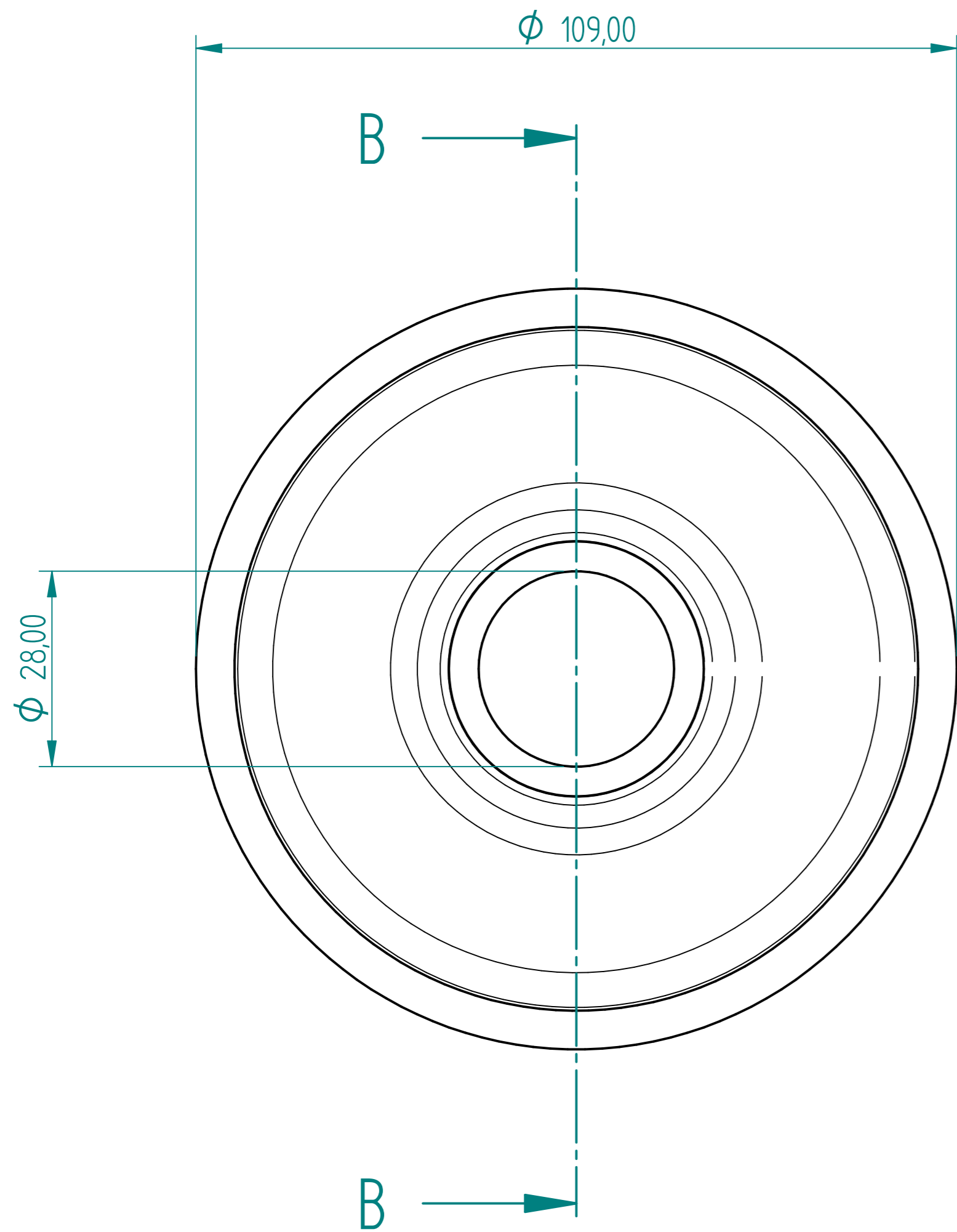


SECTION D-D

MH OUTER INSERT TYRE MOULD  
SAME AS FH

	NAME	DATE	<b>AGRIGEL</b>	
DRAWN	Dan	11/26/19		
APPROVED				
MATERIAL				
TREATMENT			TITLE	PJP125X32H35H45 TYRE TURNED PARTS
UNLESS OTHERWISE SPECIFIED DIMENSIONS ARE IN MILLIMETERS			SIZE	DWG NO
1 <sup>st</sup> ANGLE ANGLES $\pm 0,1^\circ$			A4	
2 PL $\pm 0,02$ 3 PL $\pm 0,005$			FILE NAME: Turned Inserts.dft	REV
			SCALE:	WEIGHT:
				SHEET 2 OF 5

REVISION HISTORY			
REV	DESCRIPTION	DATE	APPROVED

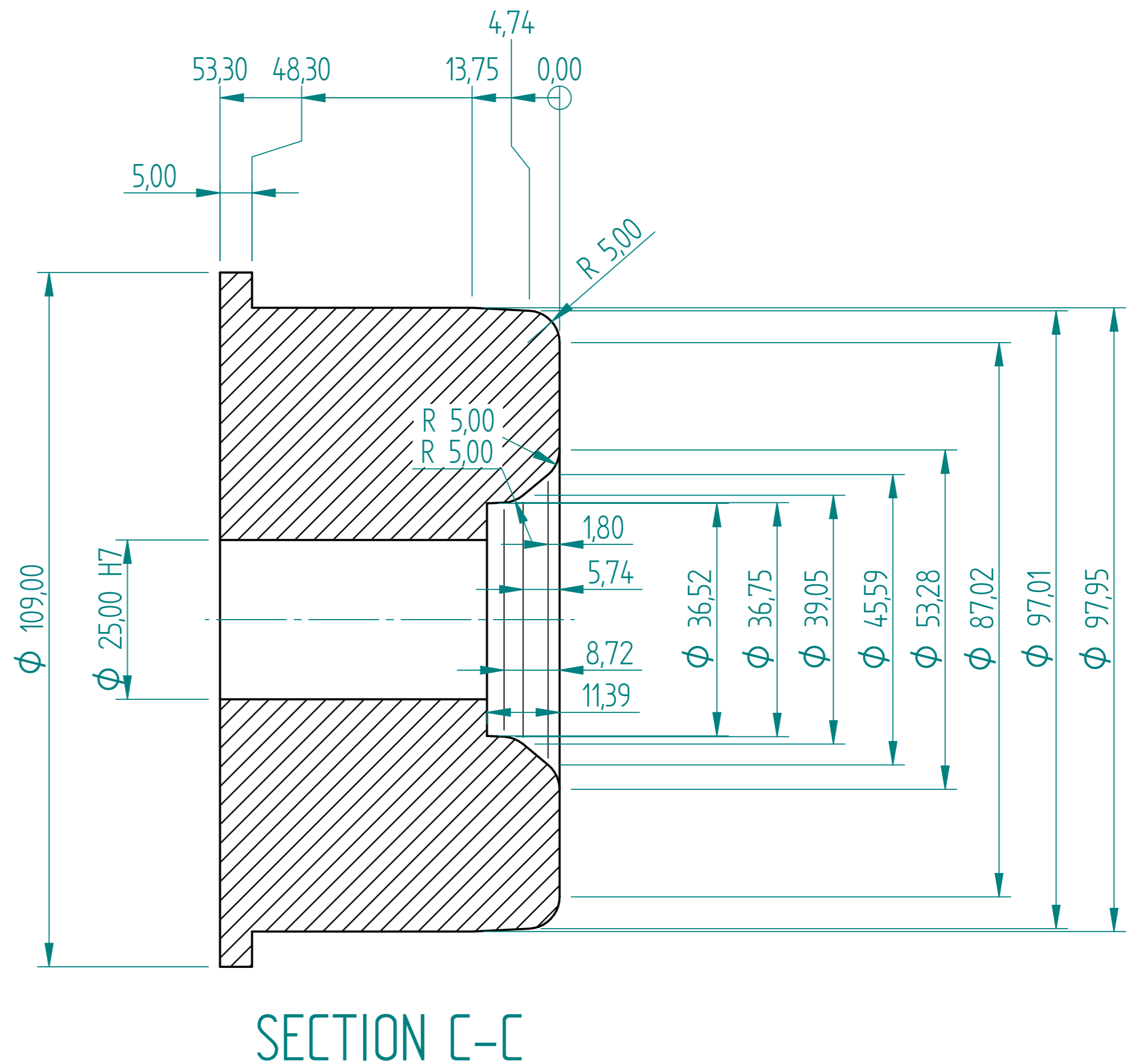
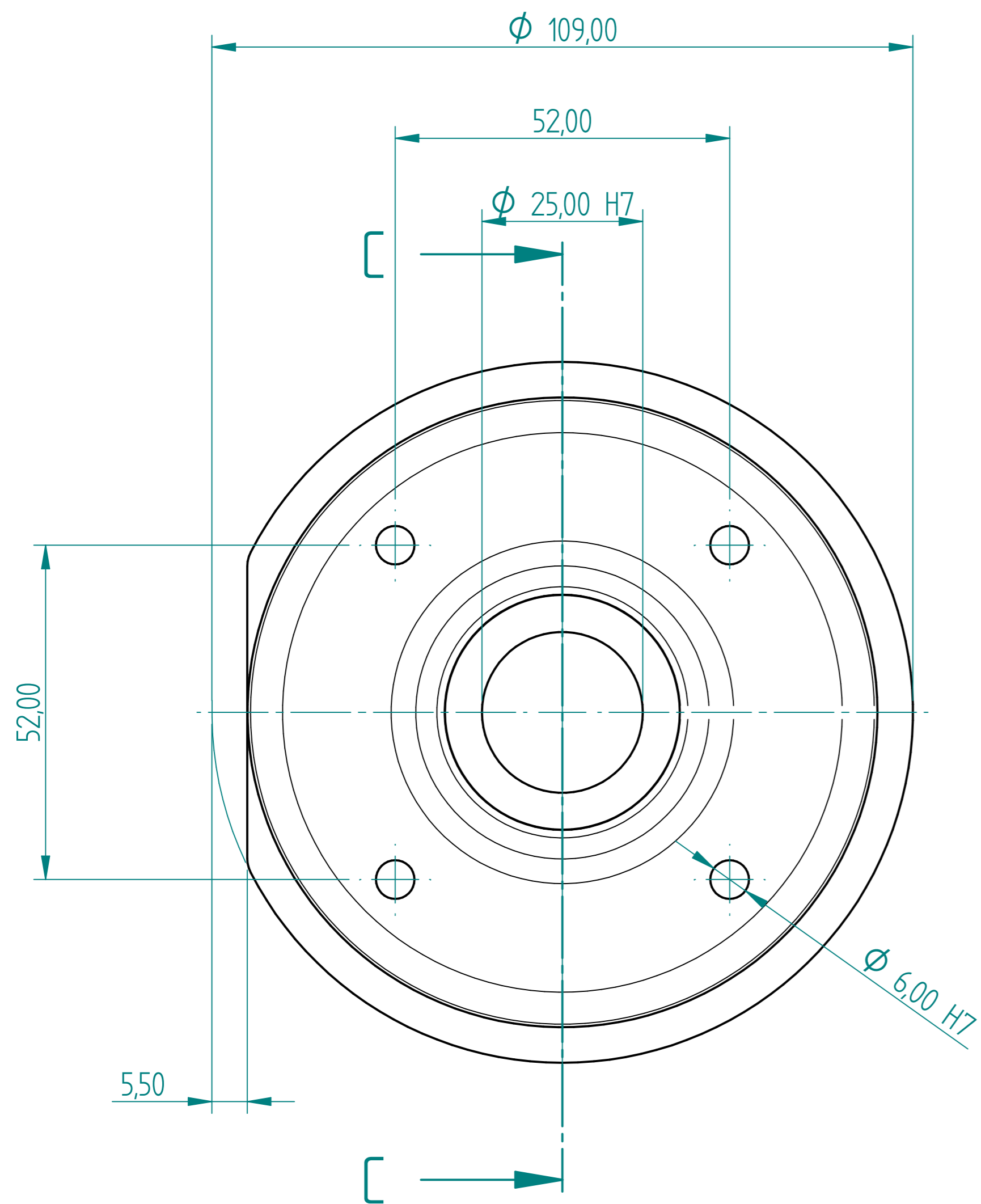


TYRE FH Mid Insert 8 OF  
+25mm

SECTION B-B

DRAWN	NAME	DATE	<b>AGRIGEL</b>	
APPROVED	Dan	11/26/19	TITLE	
MATERIAL			PJP125X32H35H45 TYRE TURNED PARTS	
TREATMENT			SIZE	DWG NO
UNLESS OTHERWISE SPECIFIED DIMENSIONS ARE IN MILLIMETERS			A4	REV
1st ANGLE ANGLES $\pm 0,1^\circ$			FILE NAME: Turned Inserts.dft	
2 PL $\pm 0,02$ 3 PL $\pm 0,005$			SCALE:	WEIGHT:
			SHEET 3 OF 5	

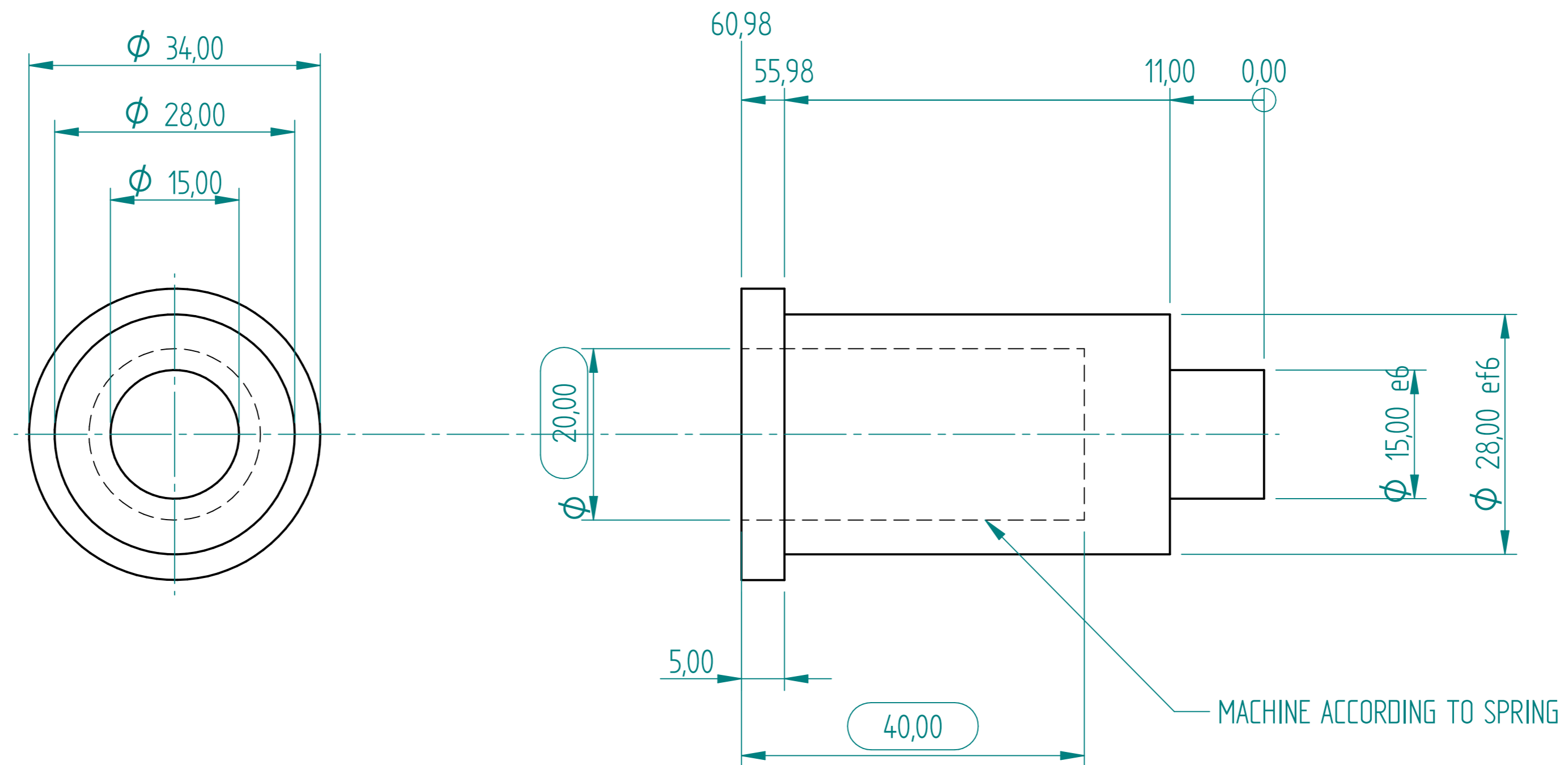
REVISION HISTORY			
REV	DESCRIPTION	DATE	APPROVED



TYRE MH Inner Insert 8 OF  
+25mm

DRAWN	NAME	DATE	<b>AGRIGEL</b>		
APPROVED	Dan	11/26/19			
MATERIAL					TITLE
TREATMENT					PJP125X32H35H45 TYRE TURNED PARTS
UNLESS OTHERWISE SPECIFIED DIMENSIONS ARE IN MILLIMETERS			SIZE	DWG NO	
1st ANGLE ANGLES ±0,1°			A4		
2 PL ±0,02 3 PL ±0,005			FILE NAME: Turned Inserts.dft	REV	
			SCALE:	WEIGHT:	
			SHEET 4 OF 5		

REVISION HISTORY			
REV	DESCRIPTION	DATE	APPROVED



TYRE FH Inner Insert 8 OF  
Dia 34 BILLET

	NAME	DATE	<b>AGRIGEL</b>	
DRAWN	Dan	11/26/19		
APPROVED				
MATERIAL				
TREATMENT			TITLE	PJP125X32H35H45 TYRE TURNED PARTS
UNLESS OTHERWISE SPECIFIED DIMENSIONS ARE IN MILLIMETERS			SIZE	DWG NO
1 <sup>st</sup> ANGLE ANGLES ±0.1°			A4	
2 PL ±0.02 3 PL ±0.005			FILE NAME: Turned Inserts.dft	REV
			SCALE:	WEIGHT:
				SHEET 5 OF 5