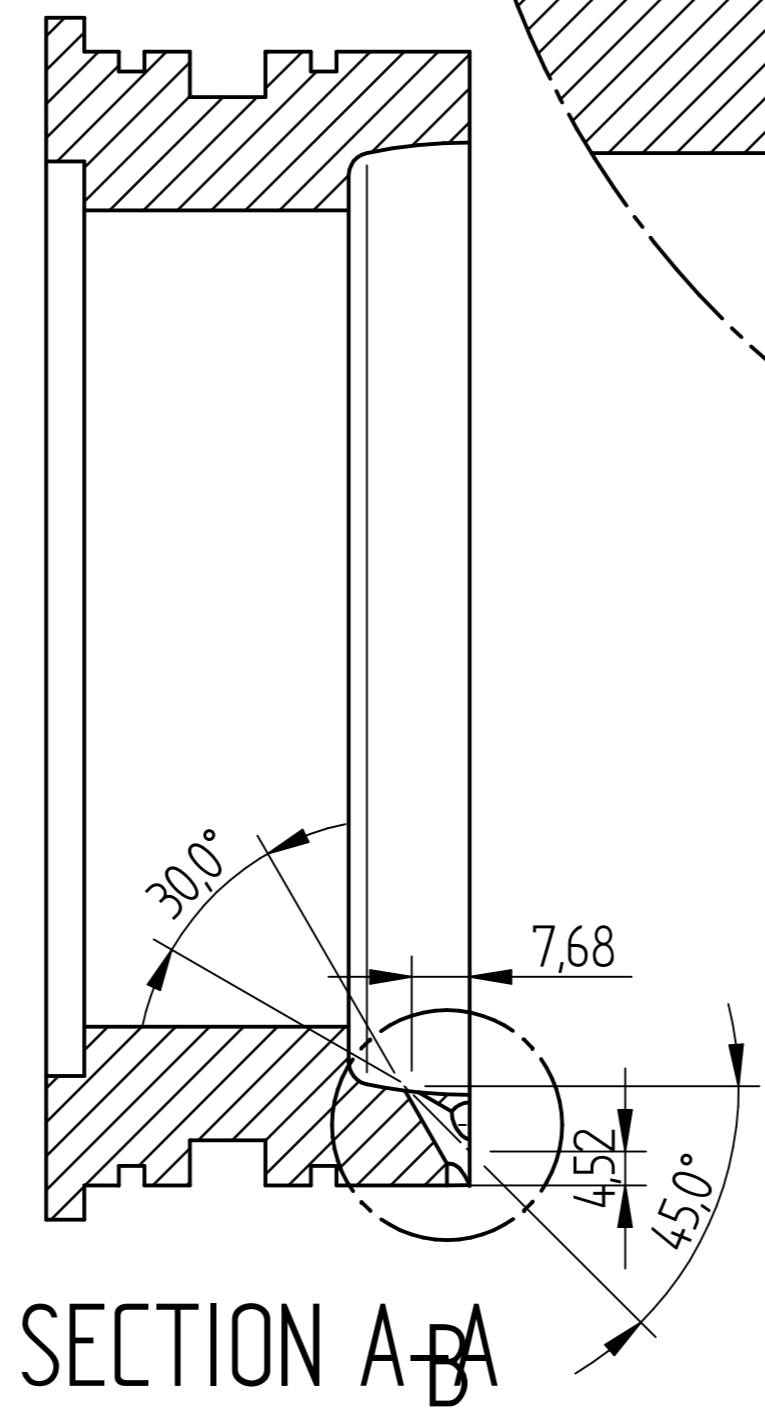
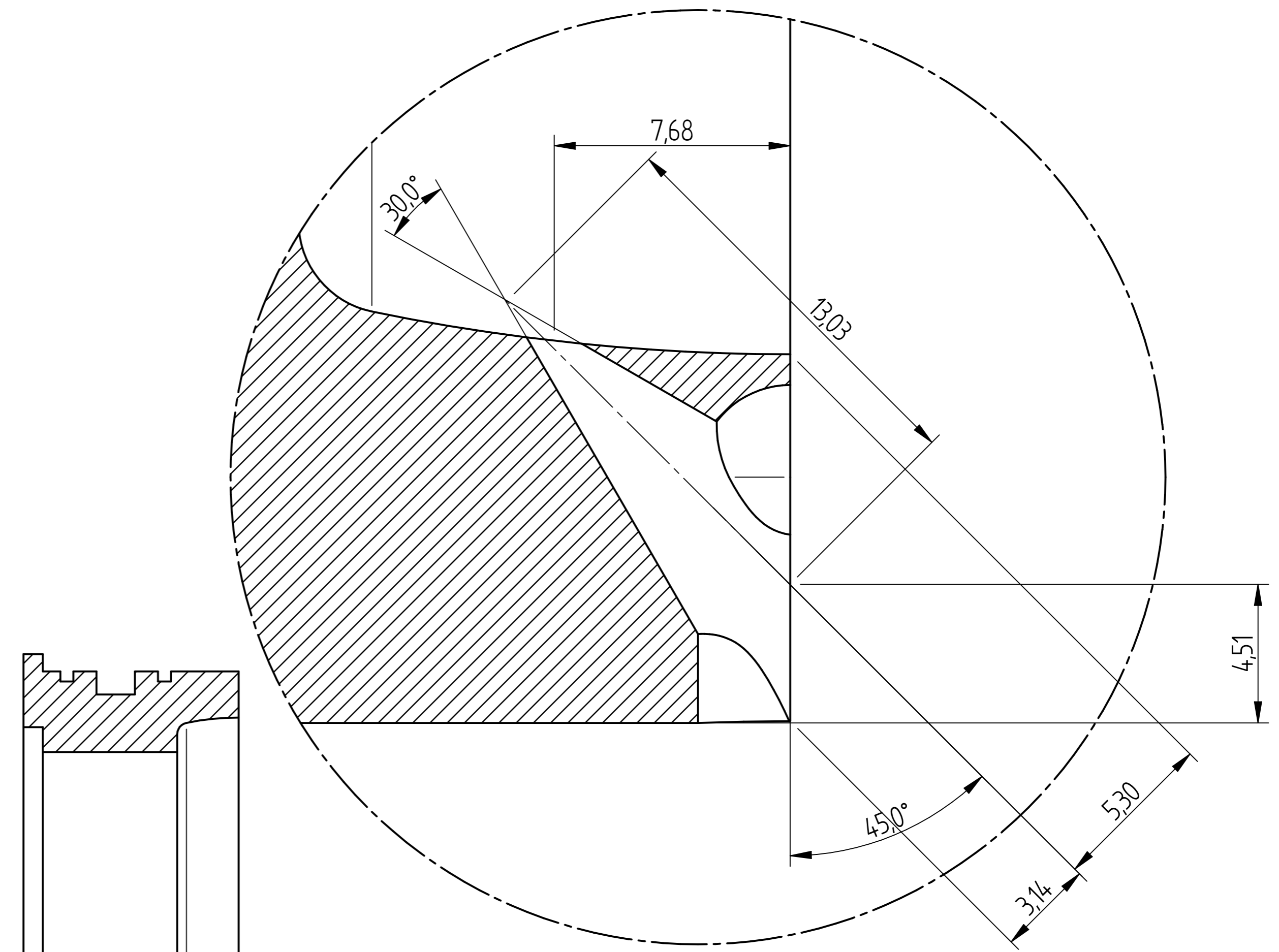
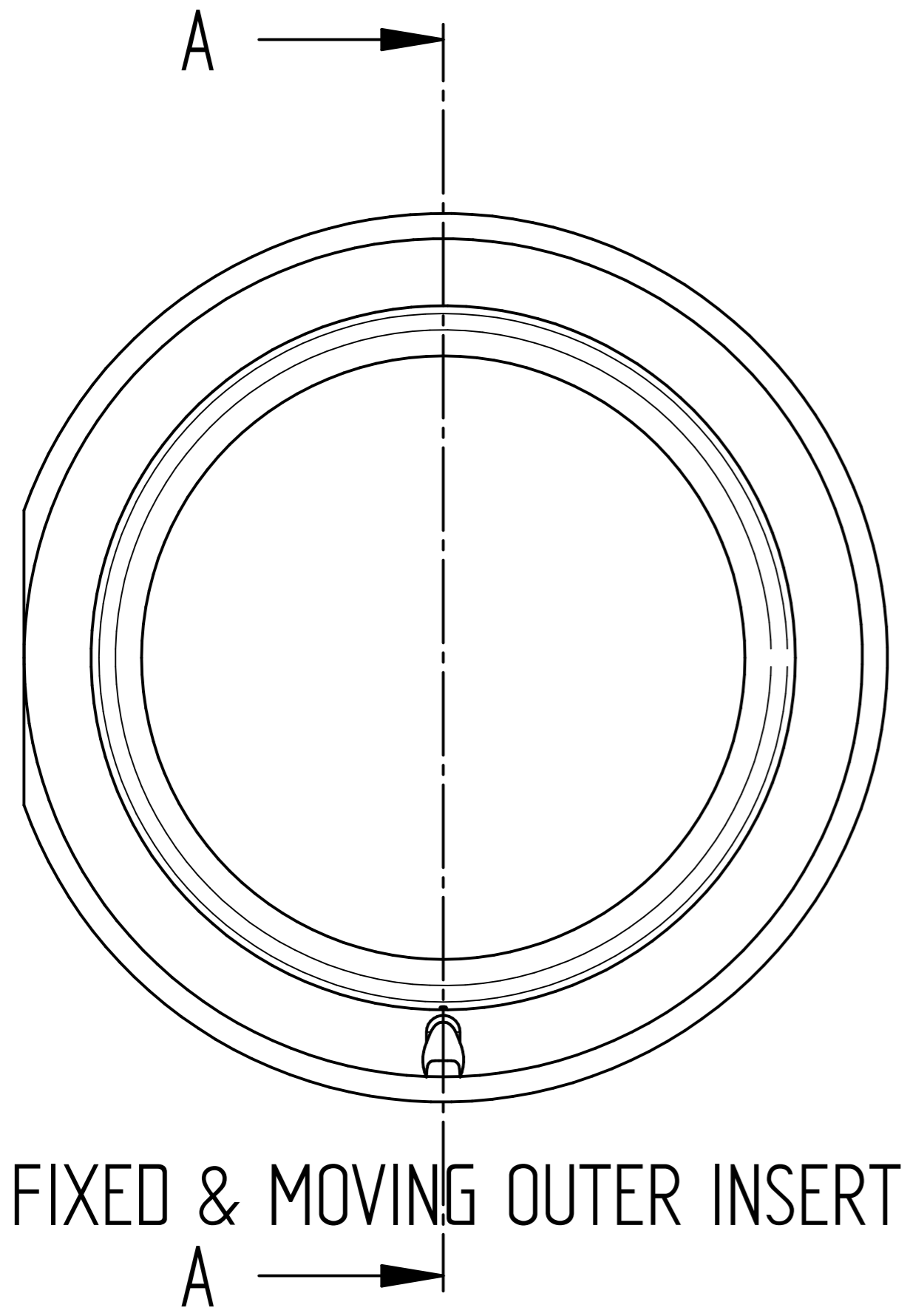


REVISION HISTORY			
REV	DESCRIPTION	DATE	APPROVED



DRAWN	NAME	DATE	AGRIGEL	
APPROVED	Dan	04/11/12	TITLE	
MATERIAL			Tyre Mould	
TREATMENT			SIZE	DWG NO
UNLESS OTHERWISE SPECIFIED DIMENSIONS ARE IN MILLIMETERS			A4	PJP125X32H35H45
1 st ANGLE			FILE NAME:	REV
2 PL ±0.02 3 PL ±0.005			TYRE Mould.dft	
SCALE:	WEIGHT:	SHEET 13 OF 13		