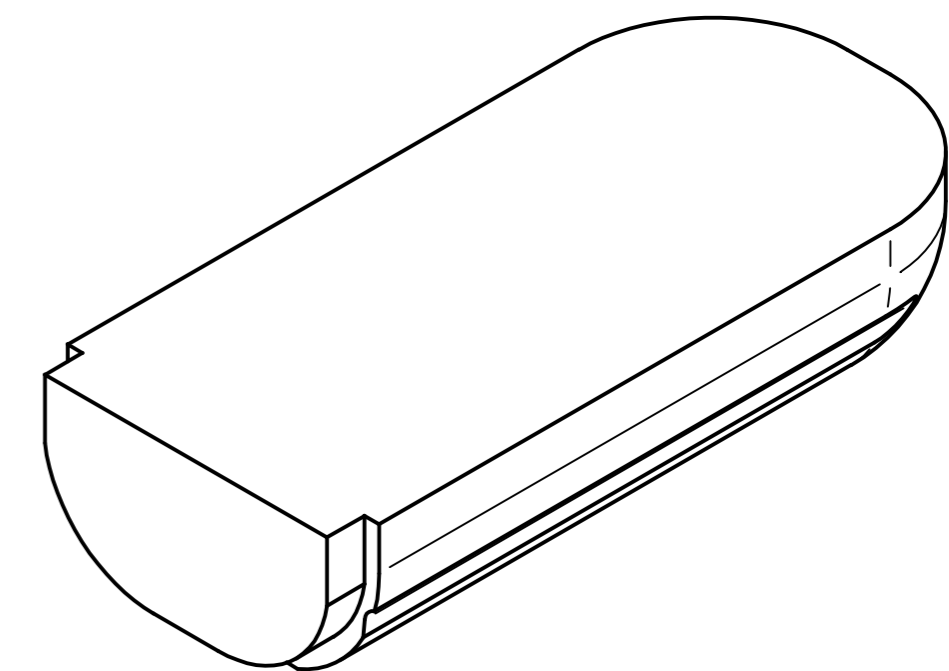
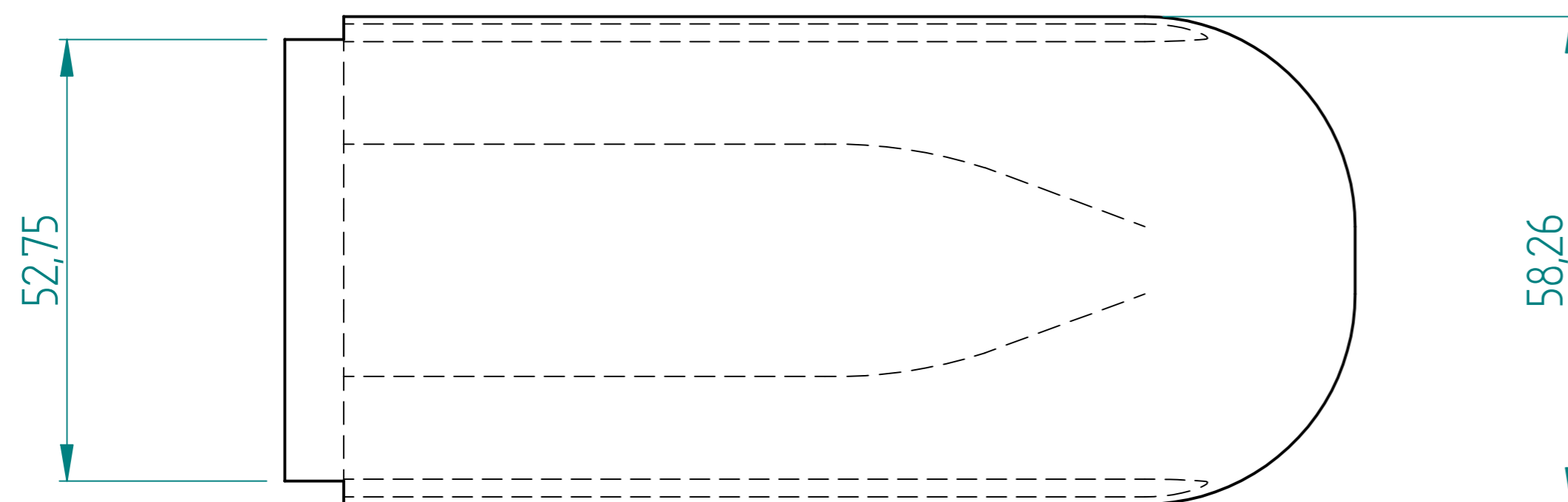
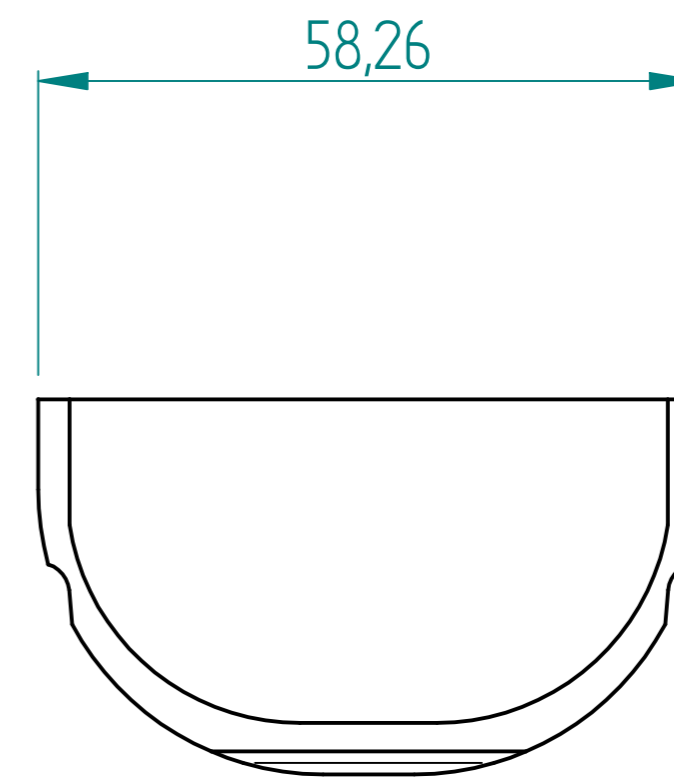
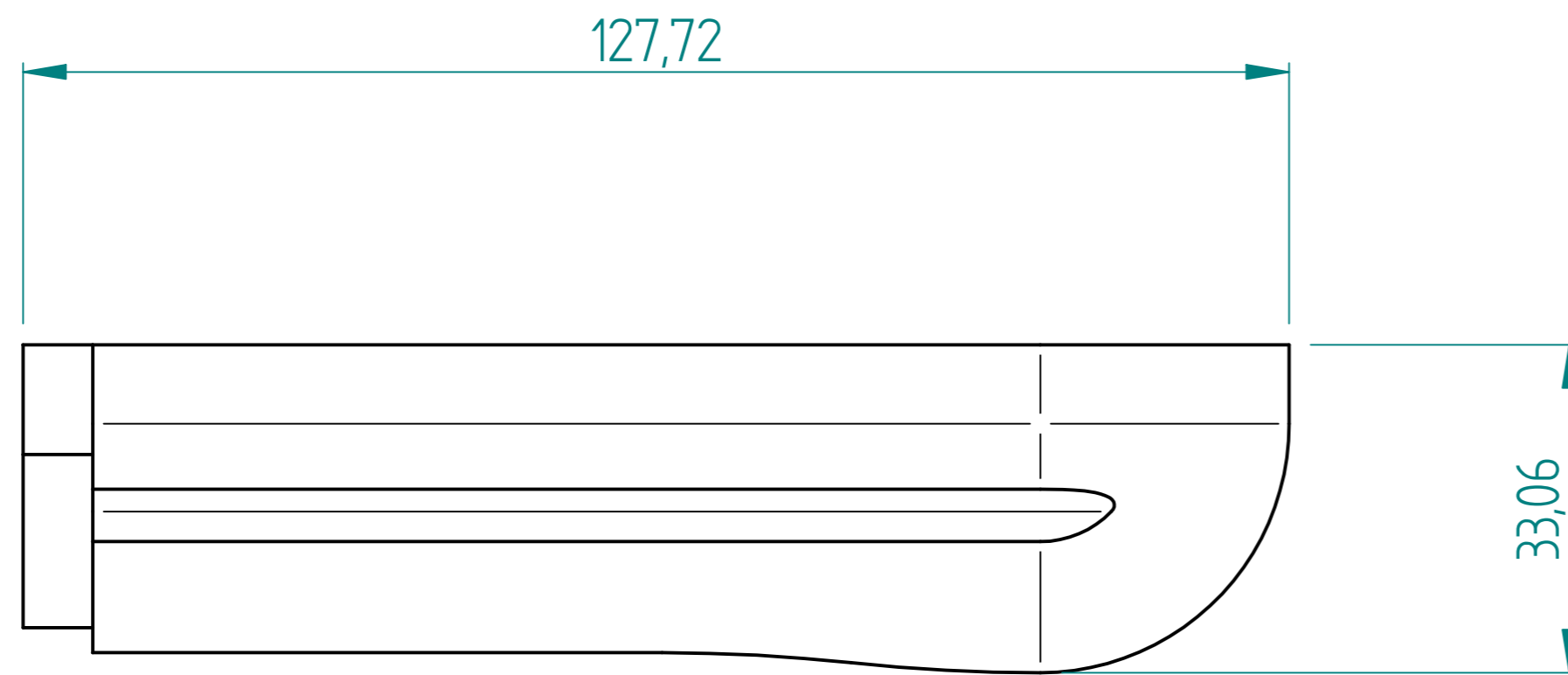


REVISION HISTORY			
REV	DESCRIPTION	DATE	APPROVED

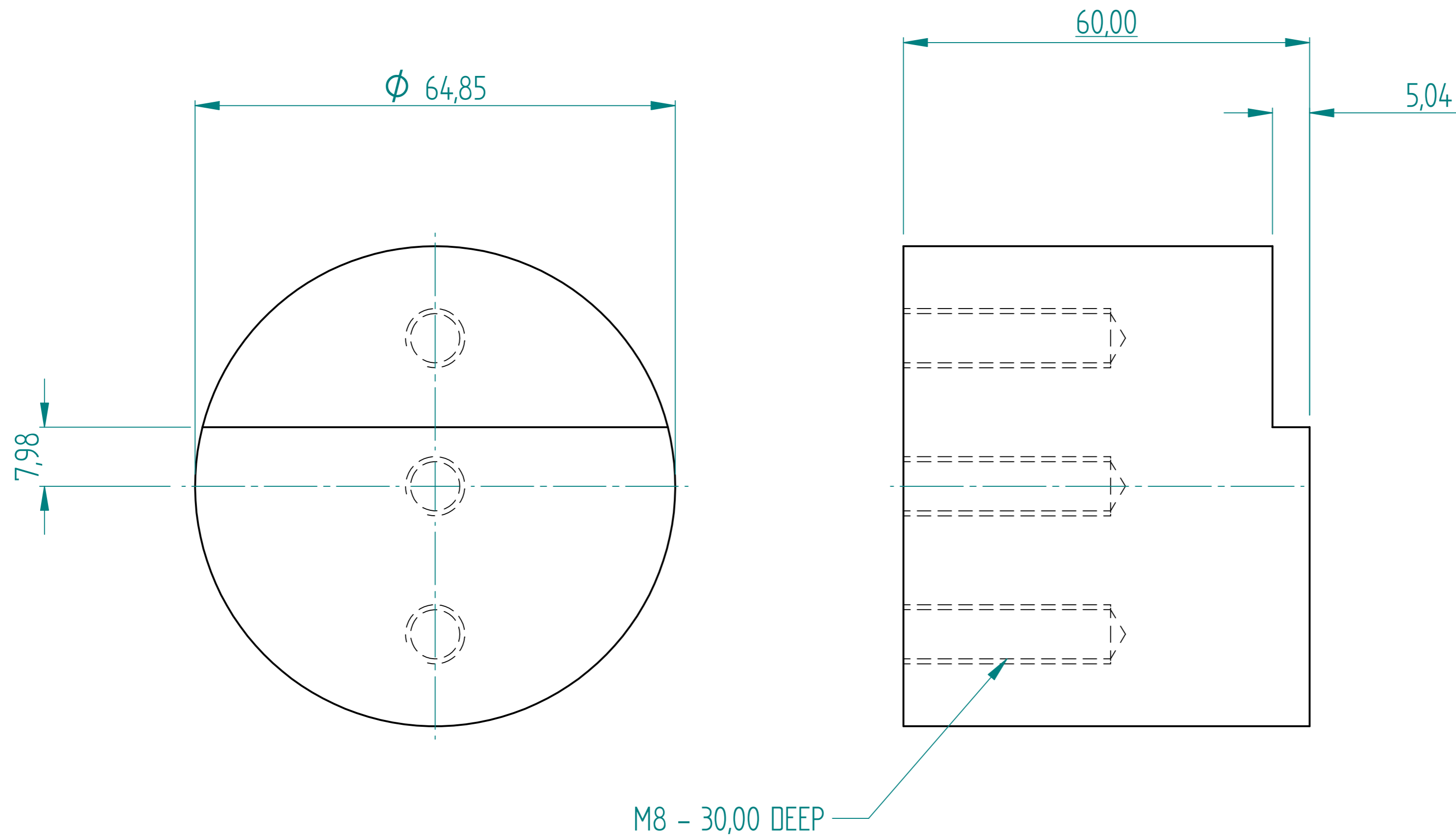


COPPER
60 X 35 X 130

BACK ELECTRODE

	NAME	DATE	PREMAC	
DRAWN	Dan	03/07/11		
APPROVED			TITLE	
MATERIAL				
TREATMENT				
UNLESS OTHERWISE SPECIFIED DIMENSIONS ARE IN MILLIMETERS			SIZE A4	DWG NO
1 st ANGLE ANGLES ±0,1°			FILE NAME: Back Electrode.dft	
2 PL ±0.02 3 PL ±0.005			SCALE:	WEIGHT: SHEET 1 OF 2

REVISION HISTORY			
REV	DESCRIPTION	DATE	APPROVED



BACK SLIDE ELECTRODE

	NAME	DATE	PREMAC	
DRAWN	Dan	03/07/11		
APPROVED				
MATERIAL				
TREATMENT			TITLE	
UNLESS OTHERWISE SPECIFIED DIMENSIONS ARE IN MILLIMETERS			SIZE A4	DWG NO
1 st ANGLE ANGLES $\pm 0,1^\circ$			FILE NAME: Back Electrode.dft	
2 PL $\pm 0,02$ 3 PL $\pm 0,005$			SCALE:	WEIGHT: SHEET 2 OF 2