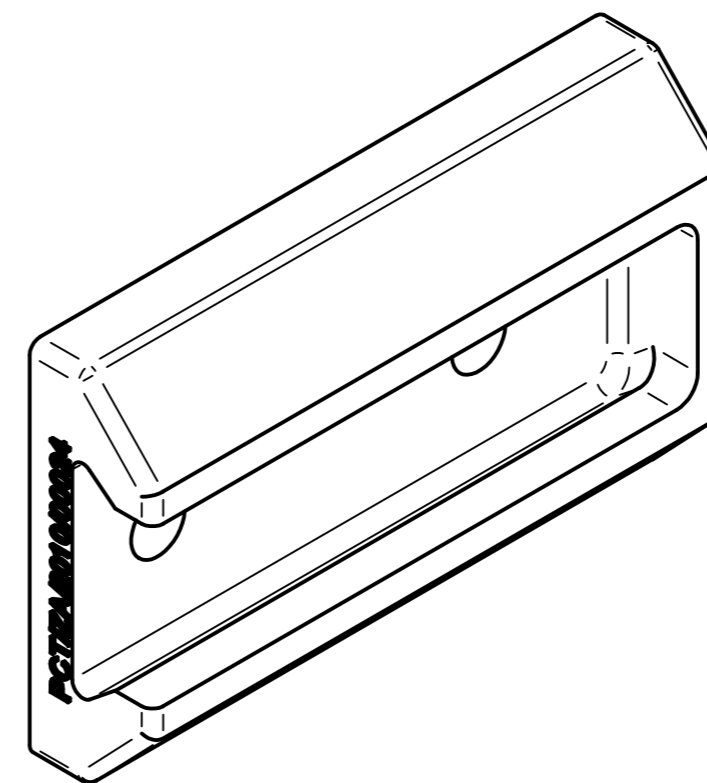
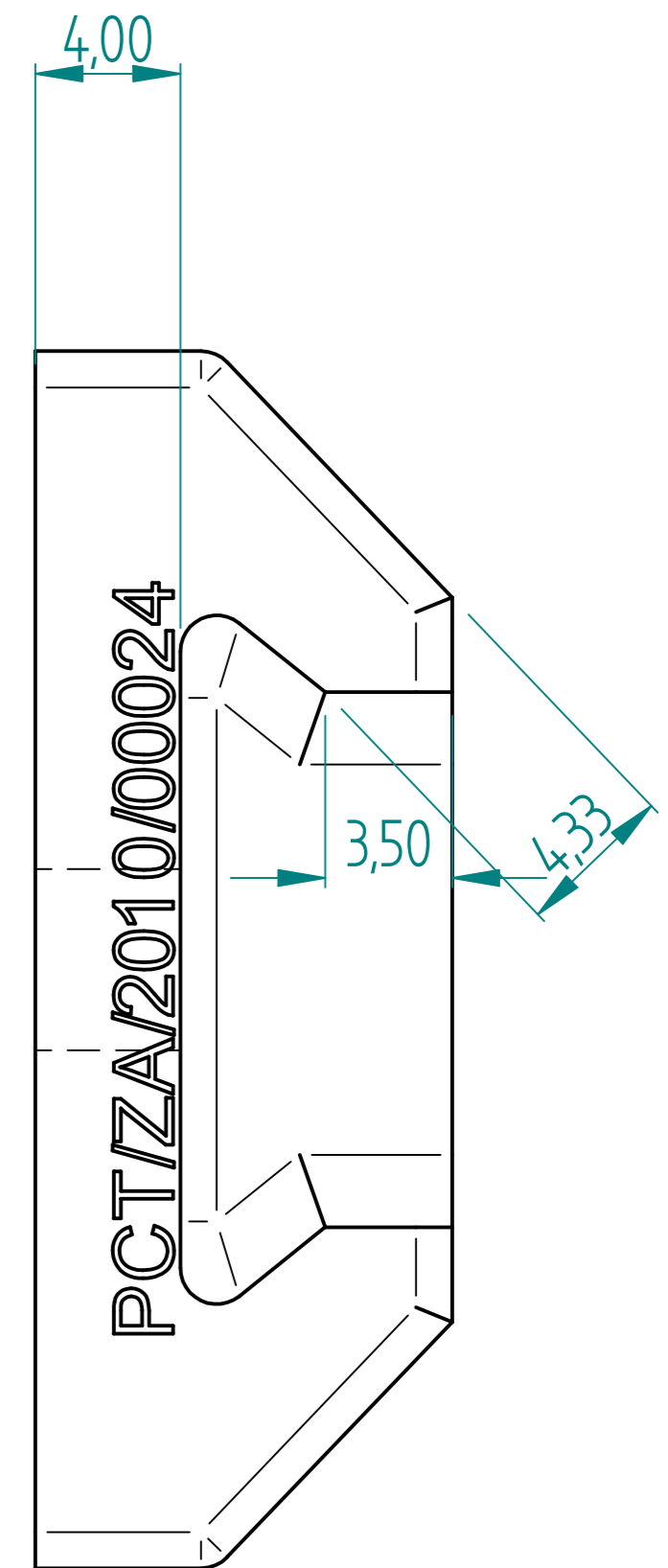
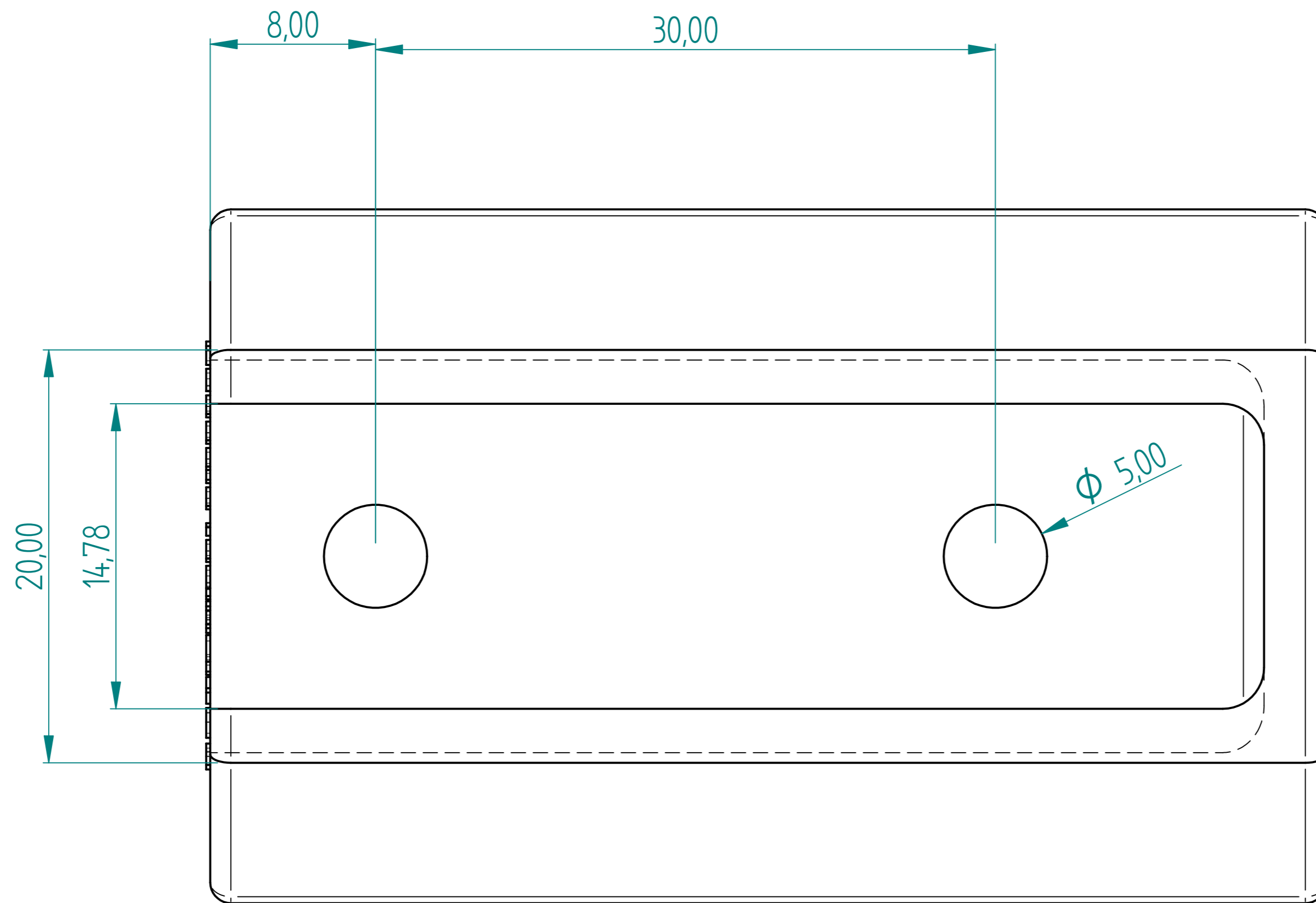
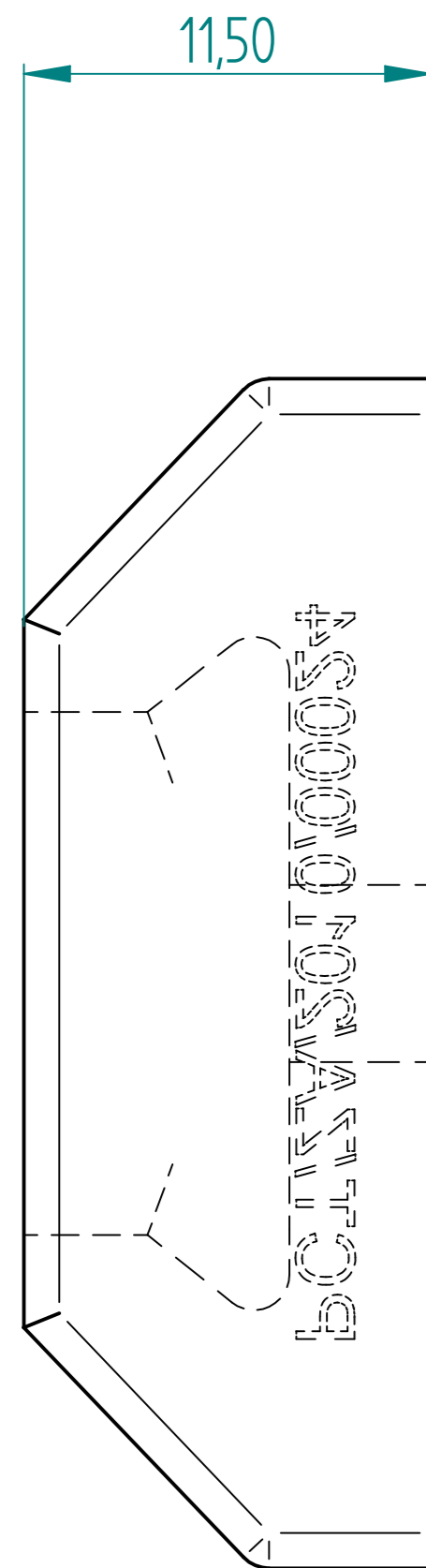


REVISION HISTORY			
REV	DESCRIPTION	DATE	APPROVED



DRAWN	NAME	DATE	PREMAC	
APPROVED	Dan	11/26/10		
MATERIAL				
TREATMENT				
UNLESS OTHERWISE SPECIFIED DIMENSIONS ARE IN MILLIMETERS			SIZE A4	DWG NO
1 st ANGLE ANGLES ±0,1°			FILE NAME: Mounting Bracket 2.dft	
2 PL ±0,02 3 PL ±0,005			SCALE:	WEIGHT:
			SHEET 1 OF 1	