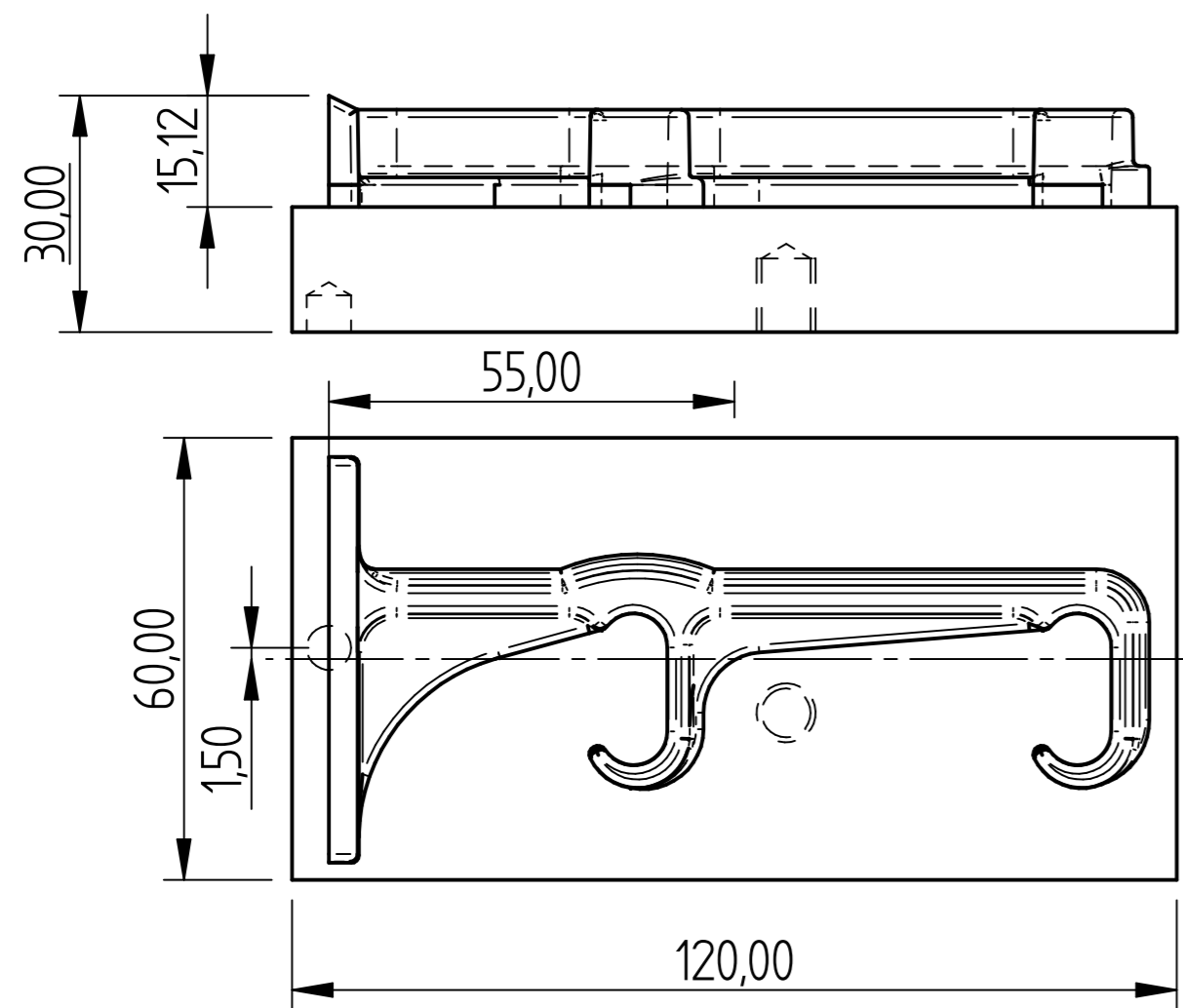
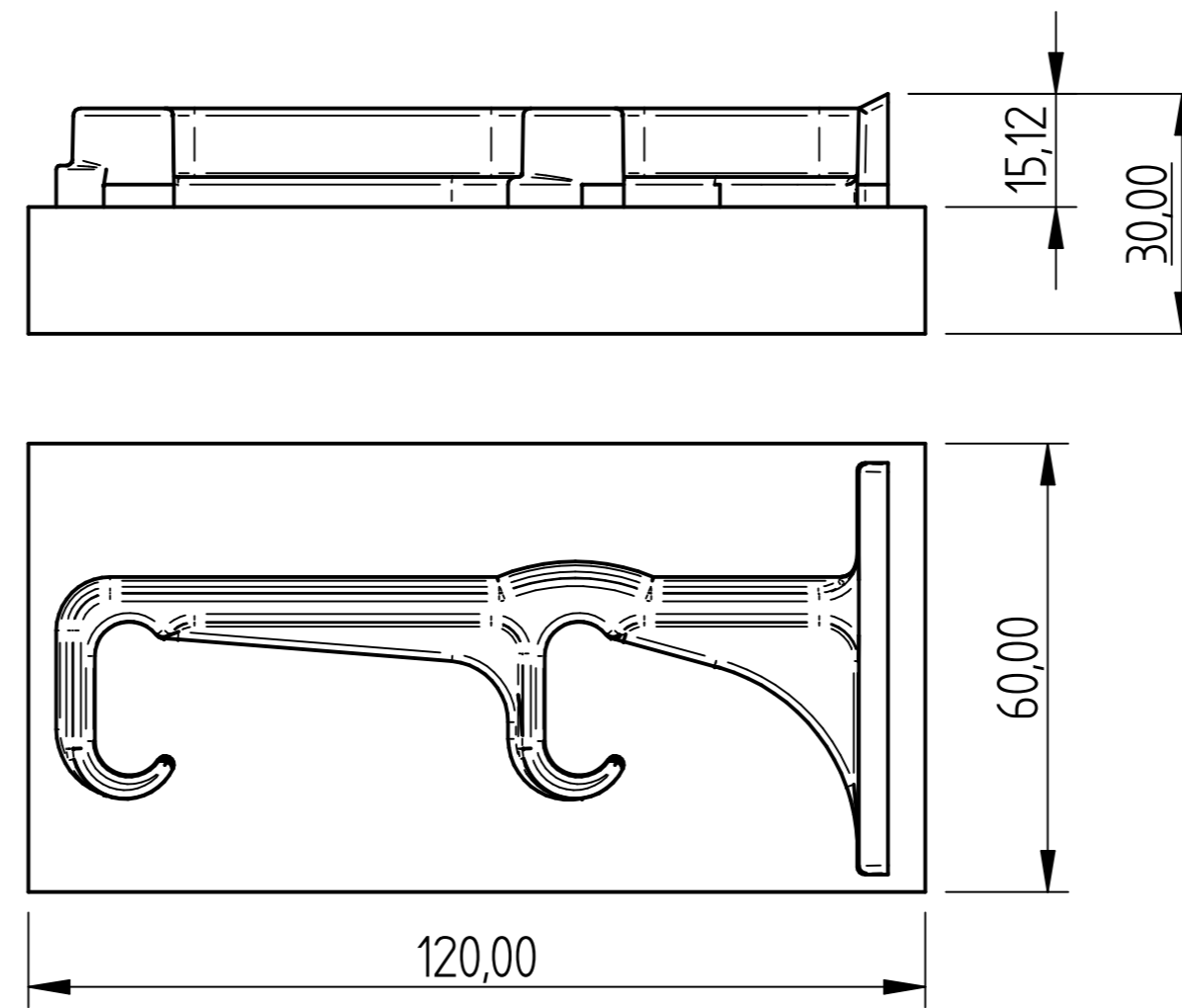


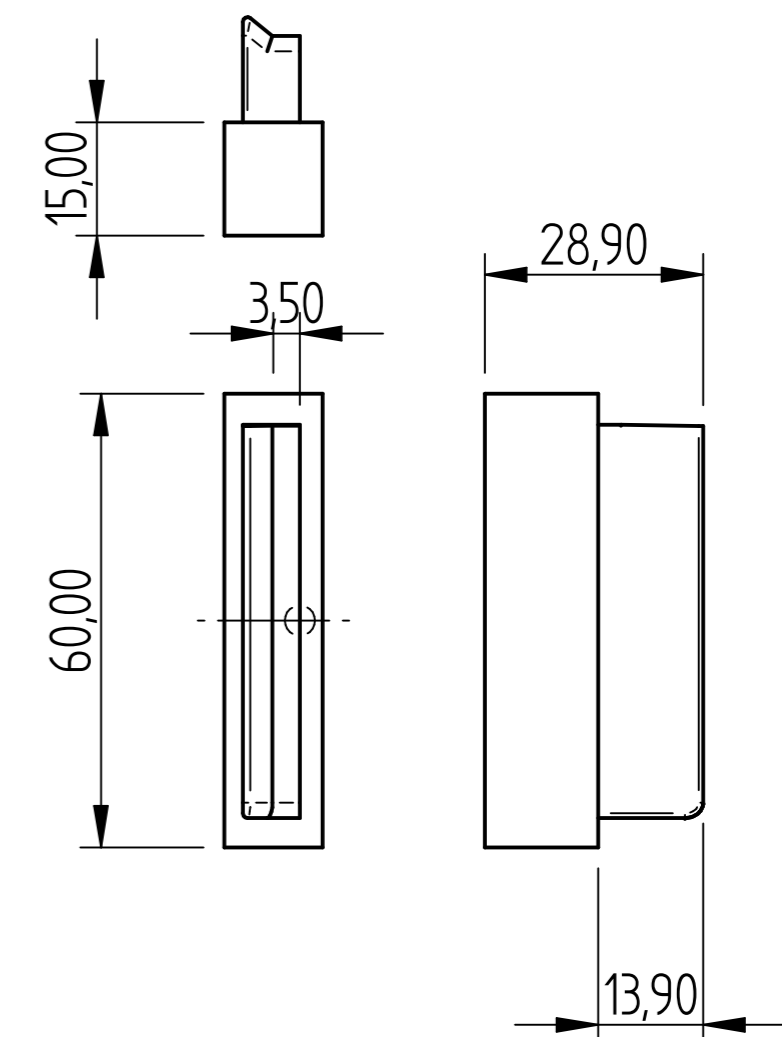
REVISION HISTORY			
REV	DESCRIPTION	DATE	APPROVED



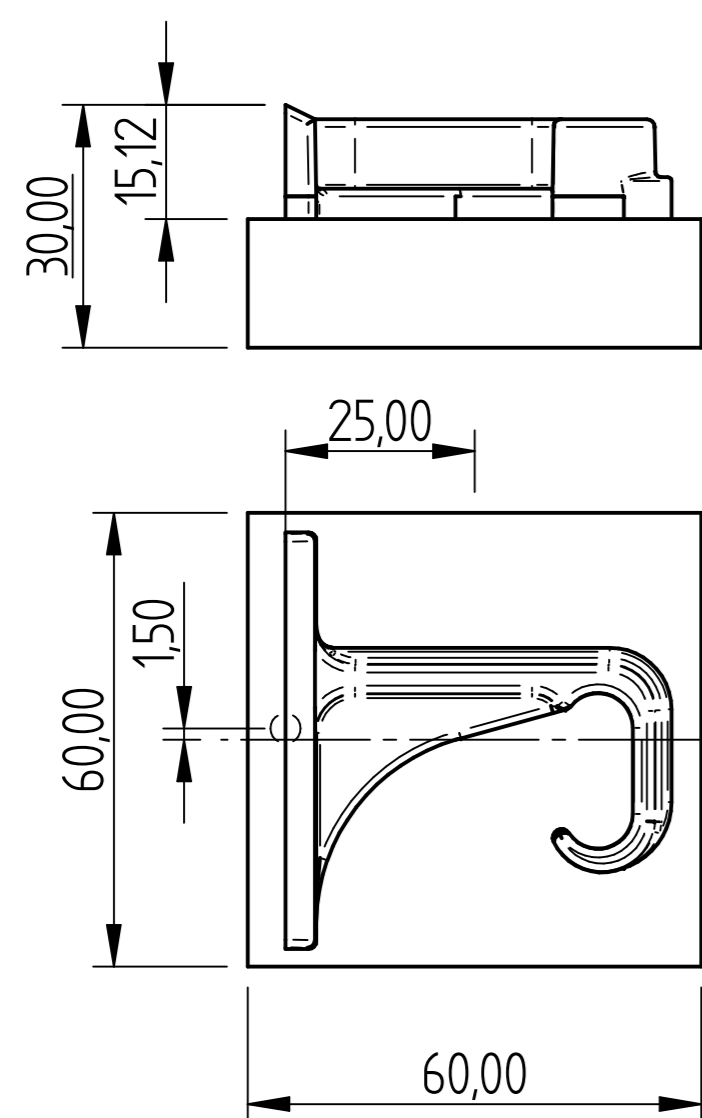
Electrode Double Hanger
ROUGH & FINISH



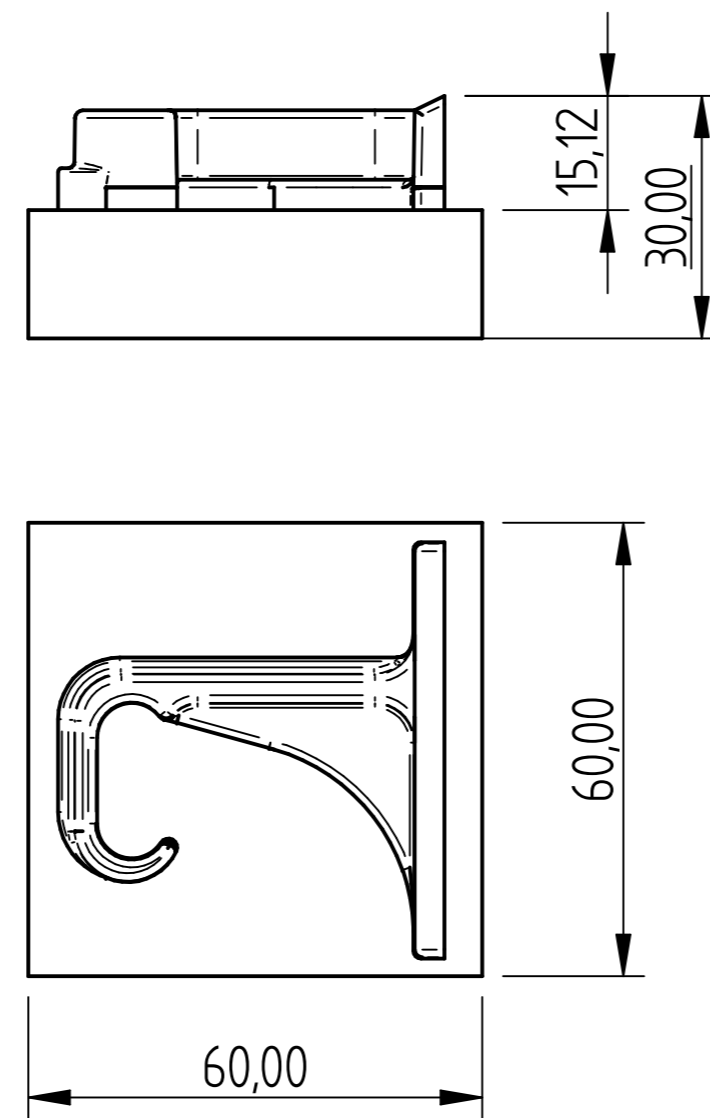
Electrode Double Hanger B
ROUGH & FINISH



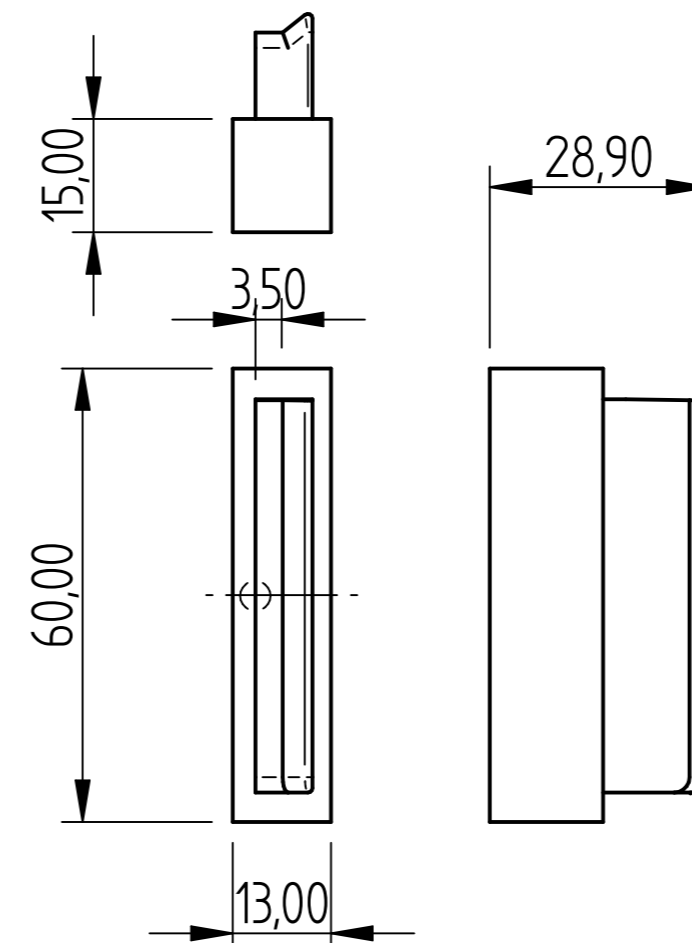
Electrode Dove tail
ROUGH & FINISH SINGLE & DOUBLE



Electrode Single Hanger
ROUGH & FINISH



Electrode Single Hanger B
ROUGH & FINISH



Electrode Dove tail B
ROUGH & FINISH SINGLE & DOUBLE

	NAME	DATE	PREMAC	
DRAWN	Dan	01/26/12	TITLE	
APPROVED			Electrode Double & Single Hanger	
MATERIAL			SIZE	DWG NO
TREATMENT			A4	
UNLESS OTHERWISE SPECIFIED DIMENSIONS ARE IN MILLIMETERS			FILE NAME:	REV
1st ANGLE ANGLES ±0.1°			Electrode Double & Single Hanger.dft	
2 PL ±0.02 3 PL ±0.005			SCALE:	WEIGHT:
			SHEET 1 OF 1	