

SECTION A-A

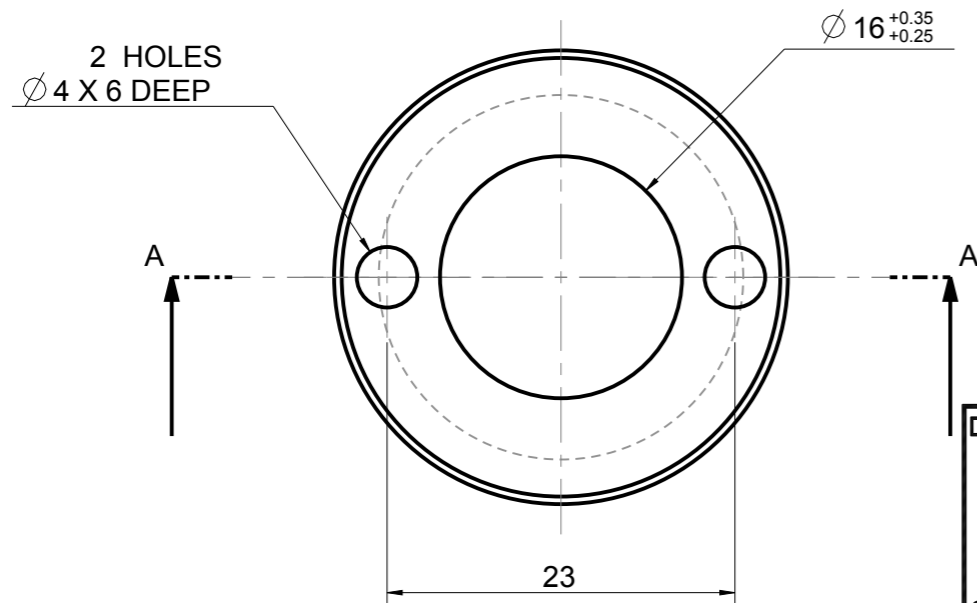


SCALE 2:1

NOTE:

R3/4 DESIGNATES 3/4" BRITISH PARALLEL PIPE THREAD, BSPP.  
DIMENSIONS ARE AS FOLLOWS:

MAJOR DIAMETER: 26.441  
PITCH DIAMETER: 25.279  
MINOR DIAMETER: 24.117  
THREADS PER INCH: 14.



**DYNAMIC FLUID CONTROL**  
VALID FROM  
Nov-20-12  
UNTIL FURTHER NOTICE  
**SIGN: D Caldo**

1	0	30 DIA ROUND POM BLACK	ZMR03000PPOM	POLYACETAL
ITEM	QTY	DESCRIPTION	PART CODE	MATERIAL

REV. A	DATE: 20-Jul-12 10:56:02 AM
DONE BY:	

	32 Lincoln Road, Benoni South P.O. BOX 5064, Benoni South, 1502, Gauteng, South Africa Tel: +27 11 748 0200 Fax: +27 11 421 2749		
	THIS DRAWING AND DESIGN IS THE PROPERTY OF DYNAMIC FLUID CONTROL AND MUST NOT BE COPIED OR DISCLOSED TO ANY THIRD PARTY WITHOUT THE CONSENT OF THE COMPANY IN WRITING AND TO BE RETURNED UPON REQUEST.		

SCALE: NTS	NAME	DATE
DRAWN	Caldo, Dennis	20-Jul-12 10:56:00 AM
CHECKED	Caldo, Dennis	20-Jul-12 10:56:02 AM

TITLE:	DRAWING No: / MODLE No:
G 3/4 X 16 PULL BAR BUSH	BEOM016CMBPPOM
SHEET 1 OF 1	

© Copyright D.F.C.

A3	Pro/E
PINCH VALVE	In Work
MACHINING SYMBOLS TO ISO STANDARDS	
CASTING TOLERANCES <small>UNLESS OTHERWISE SPECIFIED mm UNITS</small> UP TO 75 ± 1.0 OVER 75 UP TO 150 ± 1.5 OVER 150 UP TO 250 ± 2.0 OVER 250 UP TO 500 ± 3.0 OVER 500 ± 4.0 ANGLES ± 1.0	MACHINING TOLERANCES <small>UNLESS OTHERWISE SPECIFIED mm UNITS</small> UP TO 120 ± 0.3 OVER 120 UP TO 300 ± 0.5 OVER 300 UP TO 1000 ± 0.8 OVER 1000 ± 1.2 ANGLES ± 0.1 DRILLED HOLES ± 0.1