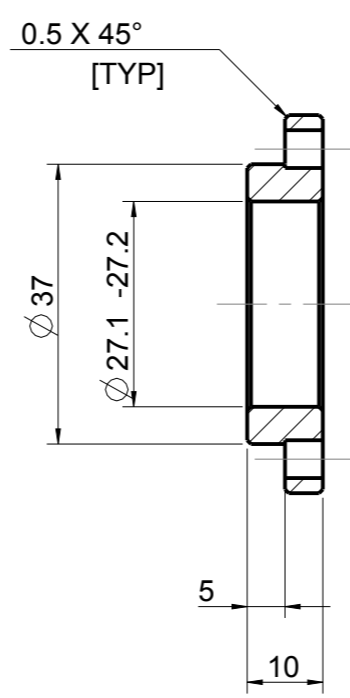
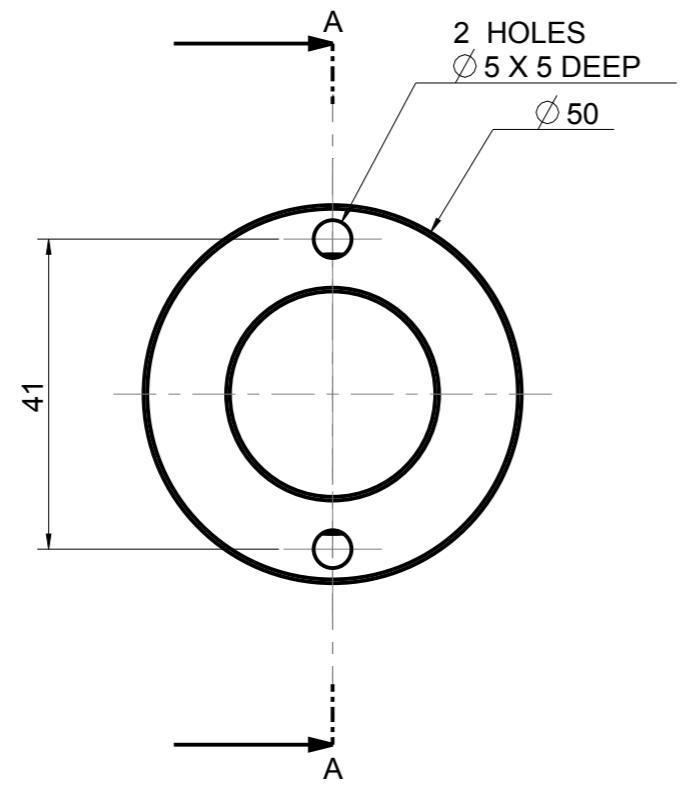


SCALE 1:1



SECTION A-A

DYNAMIC FLUID CONTROL  
 VALID FROM  
 Nov-20-12  
 UNTIL FURTHER NOTICE  
 SIGN: D Caldo

1	0	50 DIA ROUND POM BLACK	ZMR05000PPOM	POLYACETAL
ITEM	QTY	DESCRIPTION	PART CODE	MATERIAL

REV. A	DATE: 26-Jul-12 04:01:22 PM
DONE BY:	

**AVENG MANUFACTURING DFC**

32 Lincoln Road, Benoni South  
 P.O. BOX 5064, Benoni South, 1502,  
 Gauteng,  
 South Africa  
 Tel: +27 11 748 0200  
 Fax: +27 11 421 2749

1 ST. ANGLE

THIS DRAWING AND DESIGN IS THE PROPERTY OF DYNAMIC FLUID CONTROL AND MUST NOT BE COPIED OR DISCLOSED TO ANY THIRD PARTY WITHOUT THE CONSENT OF THE COMPANY IN WRITING AND TO BE RETURNED UPON REQUEST.		SCALE: NTS	NAME	DATE
MACHINING SYMBOLS TO ISO STANDARDS		DRAWN	Caldo, Dennis	26-Jul-12 04:01:21 PM
CASTING TOLERANCES UNLESS OTHERWISE SPECIFIED mm UNITS		CHECKED	Caldo, Dennis	26-Jul-12 04:01:22 PM

© Copyright D.F.C.

<b>A3</b>	Pro/E
PINCH VALVE In Work	
MACHINING TOLERANCES	
UP TO 75 ±1.0	UP TO 120 ±0.3
OVER 75 UP TO 150 ±1.5	OVER 120 UP TO 300 ±0.5
OVER 150 UP TO 250 ±2.0	OVER 300 UP TO 1000 ±0.8
OVER 250 UP TO 500 ±3.0	OVER 1000 ±1.2
OVER 500 ±4.0	ANGLES ±0.1
ANGLES ±1.0	DRILLED HOLES ±0.1

TITLE: DN025 STEM TUBE BUSHING	DRAWING No: / MODLE No: BE025BHPOM
SHEET 1 OF 1	