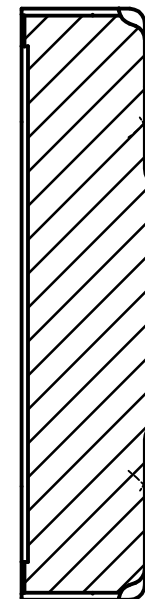
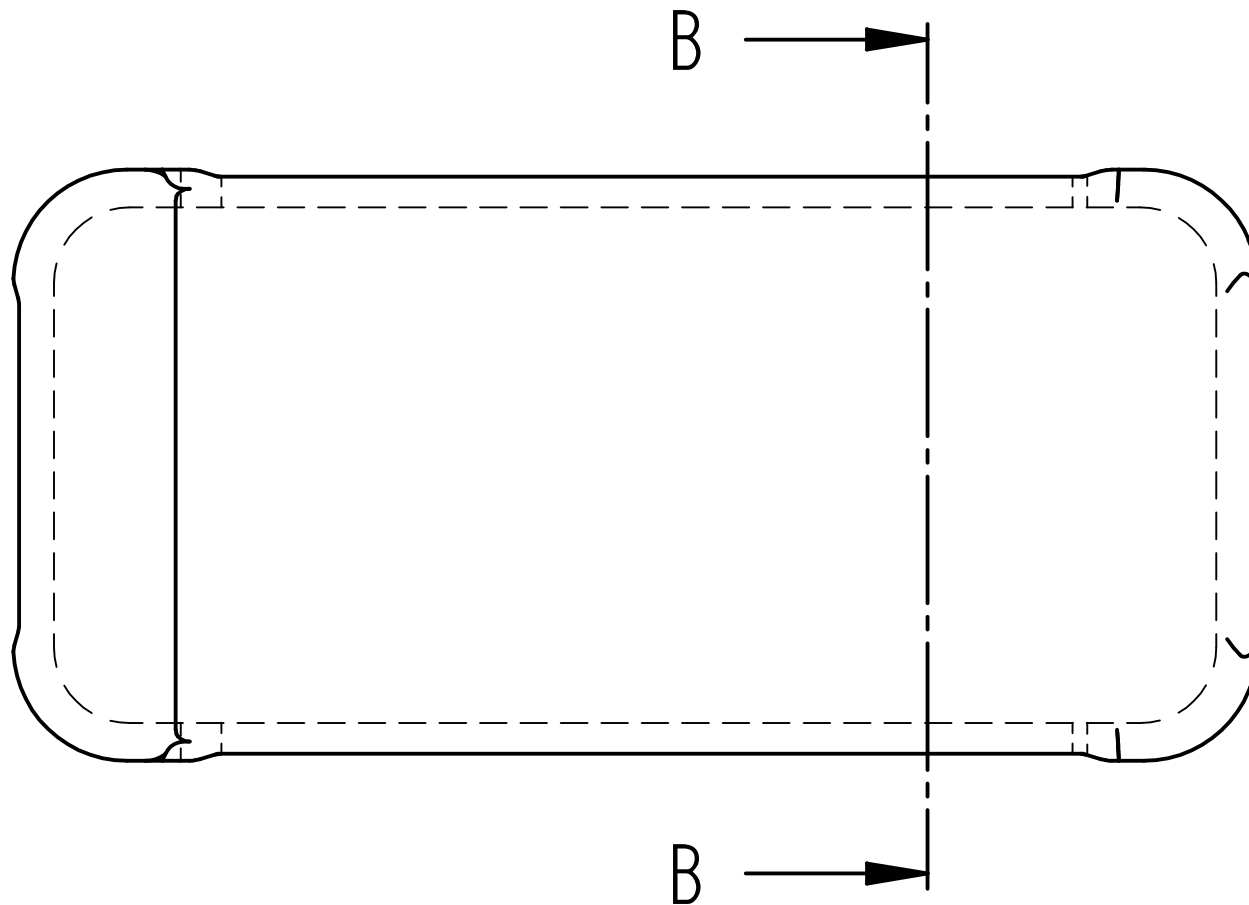


ENRIGHT TOOL & DIE		
FILE NAME: Scanner Provisional.dft		
03/24/22		SHEET 1 OF 2



SECTION B-B

ENRIGHT TOOL & DIE		
FILE NAME: Scanner Provisional.dft		
03/24/22		SHEET 2 OF 2