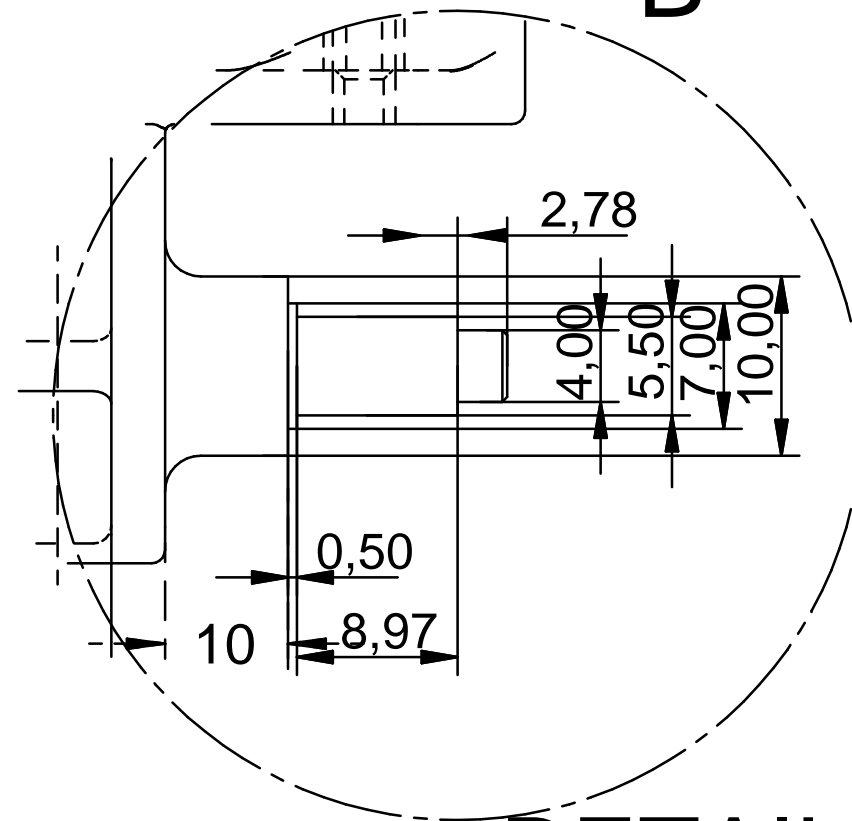
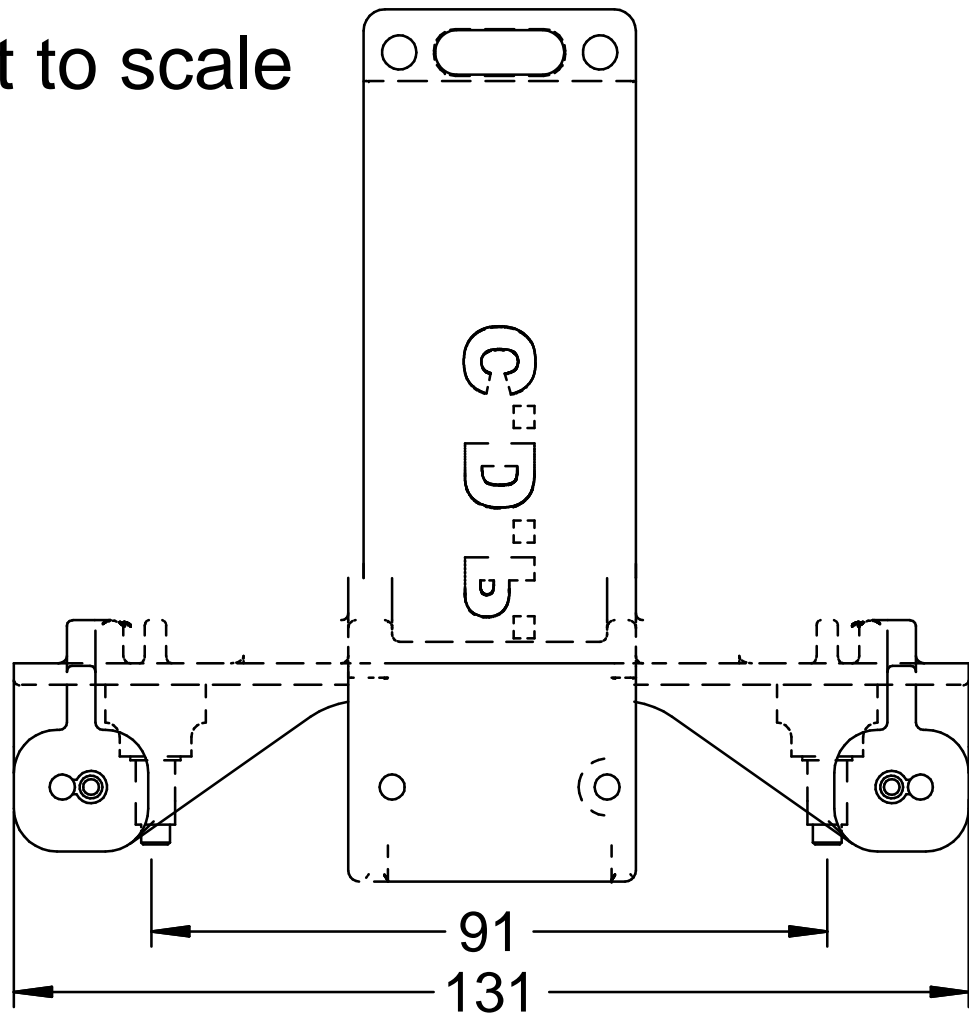


Not to scale



B

DETAIL B

ENRIGHT TOOL & DIE

FILE NAME:Support Bracket 96

11/16/15

SHEET 2 OF 4