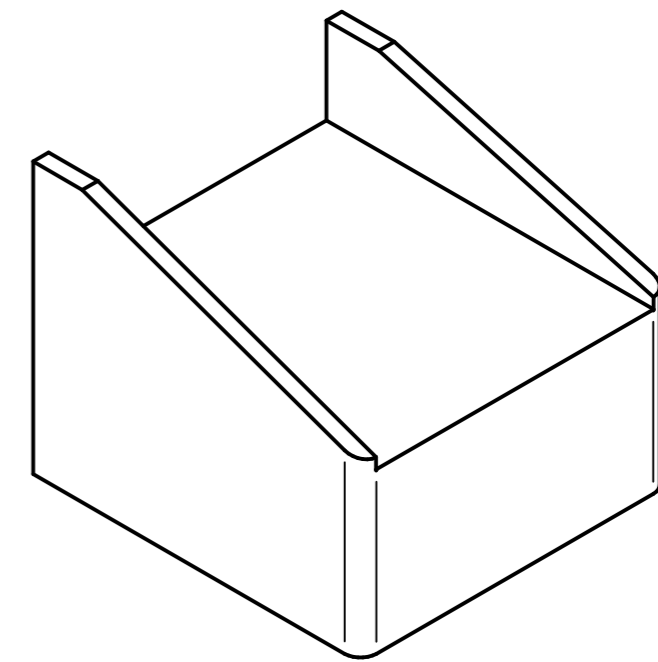
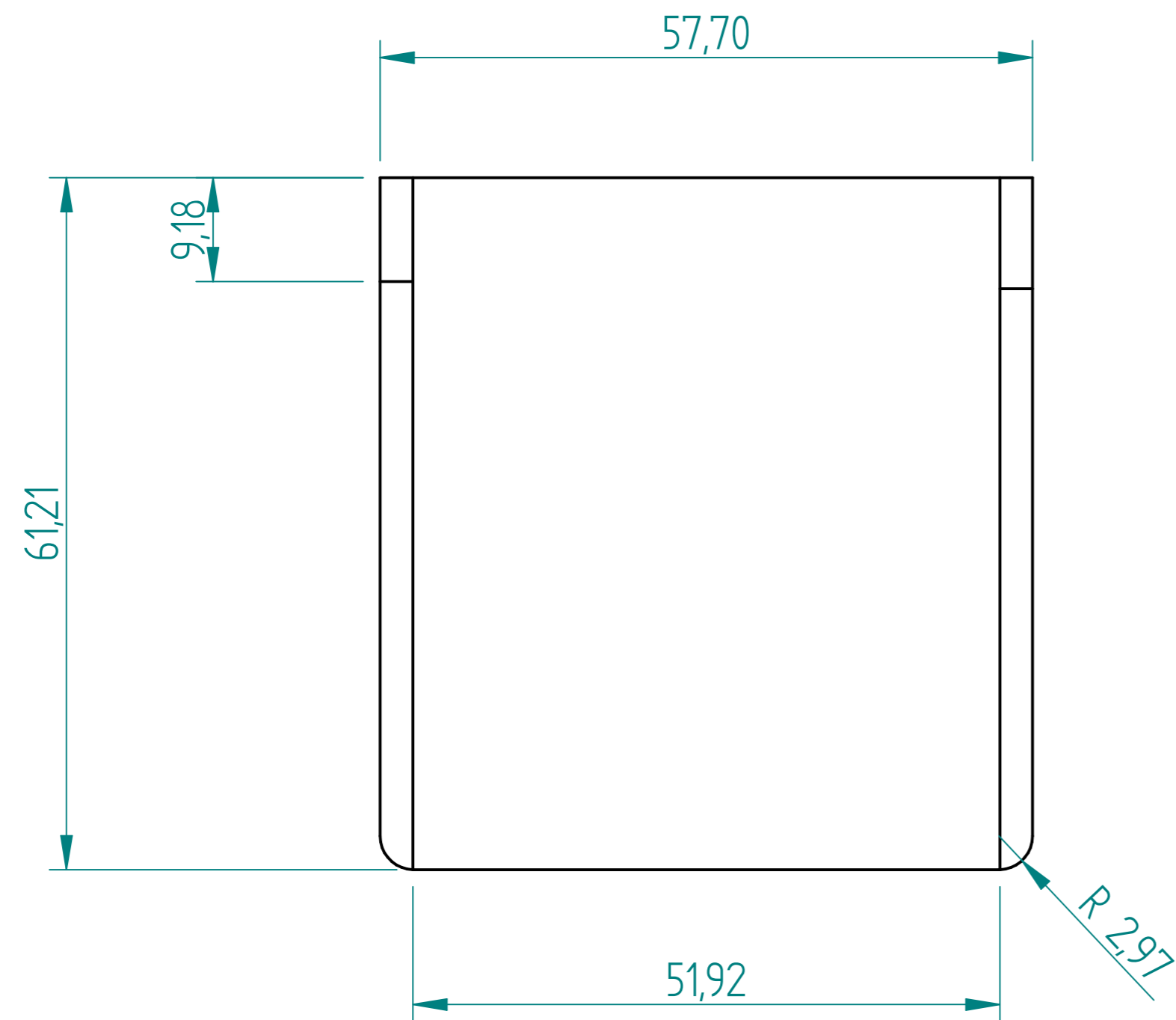
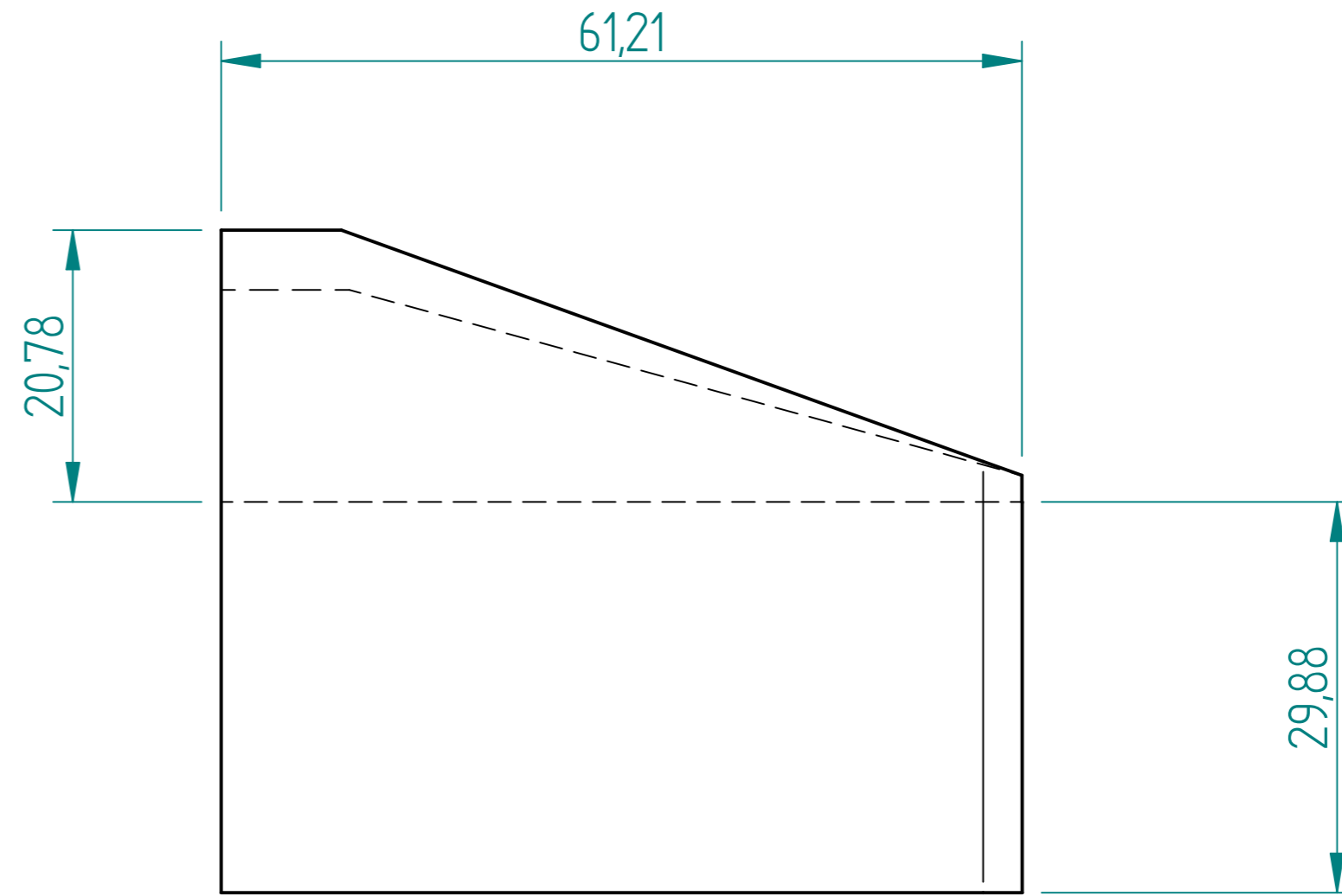
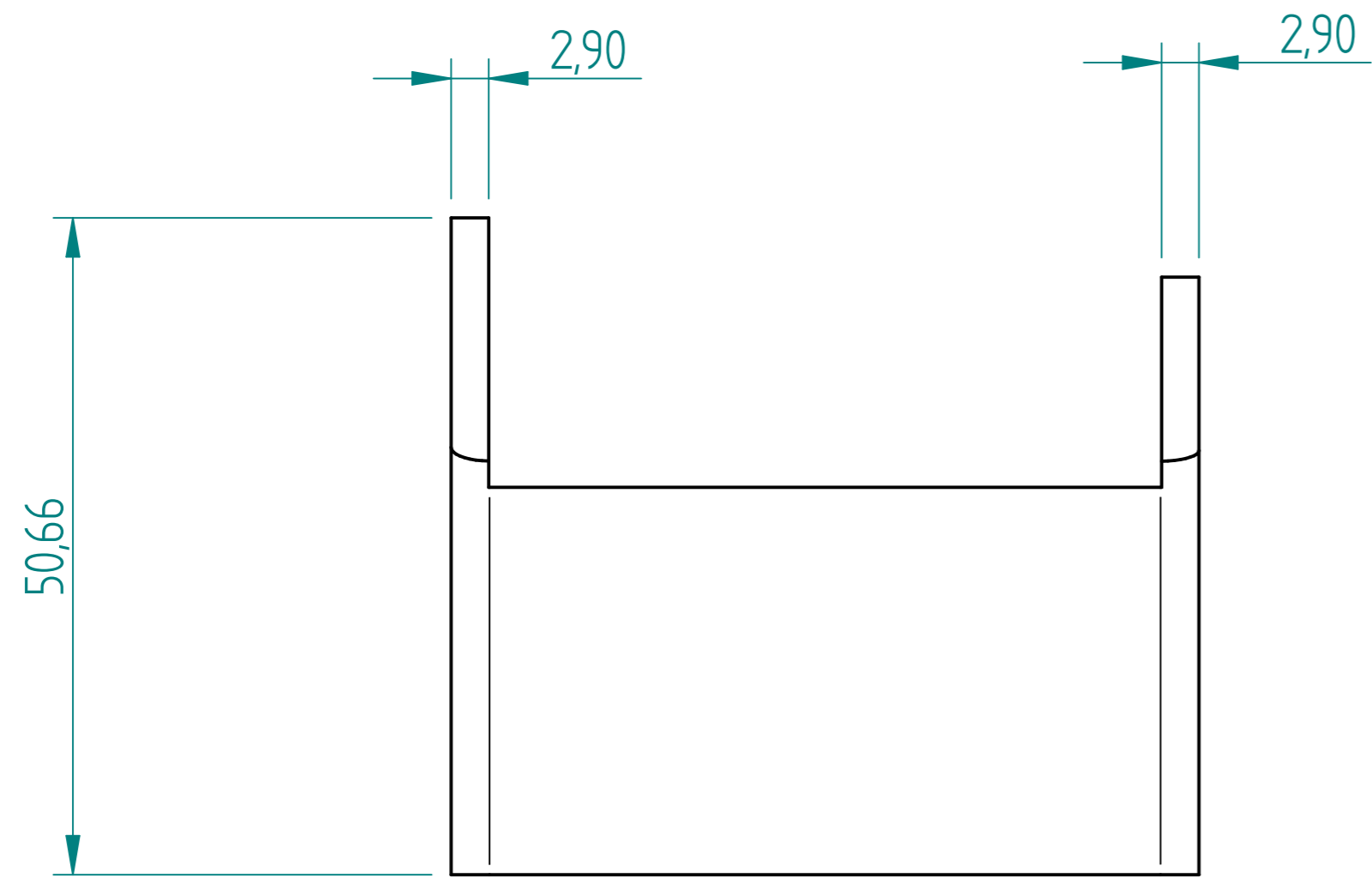


REVISION HISTORY			
REV	DESCRIPTION	DATE	APPROVED



ELECTRODE RIBS

	NAME	DATE	<b>PREMAC</b>	
DRAWN	Dan	02/21/24		
APPROVED			TITLE	
MATERIAL				
TREATMENT				
UNLESS OTHERWISE SPECIFIED DIMENSIONS ARE IN MILLIMETERS			SIZE A4	DWG NO
1 <sup>ST</sup> ANGLE 			REV	
			FILE NAME: Electrode Ribs.dft	
			SCALE:	WEIGHT:
			SHEET 1 OF 1	