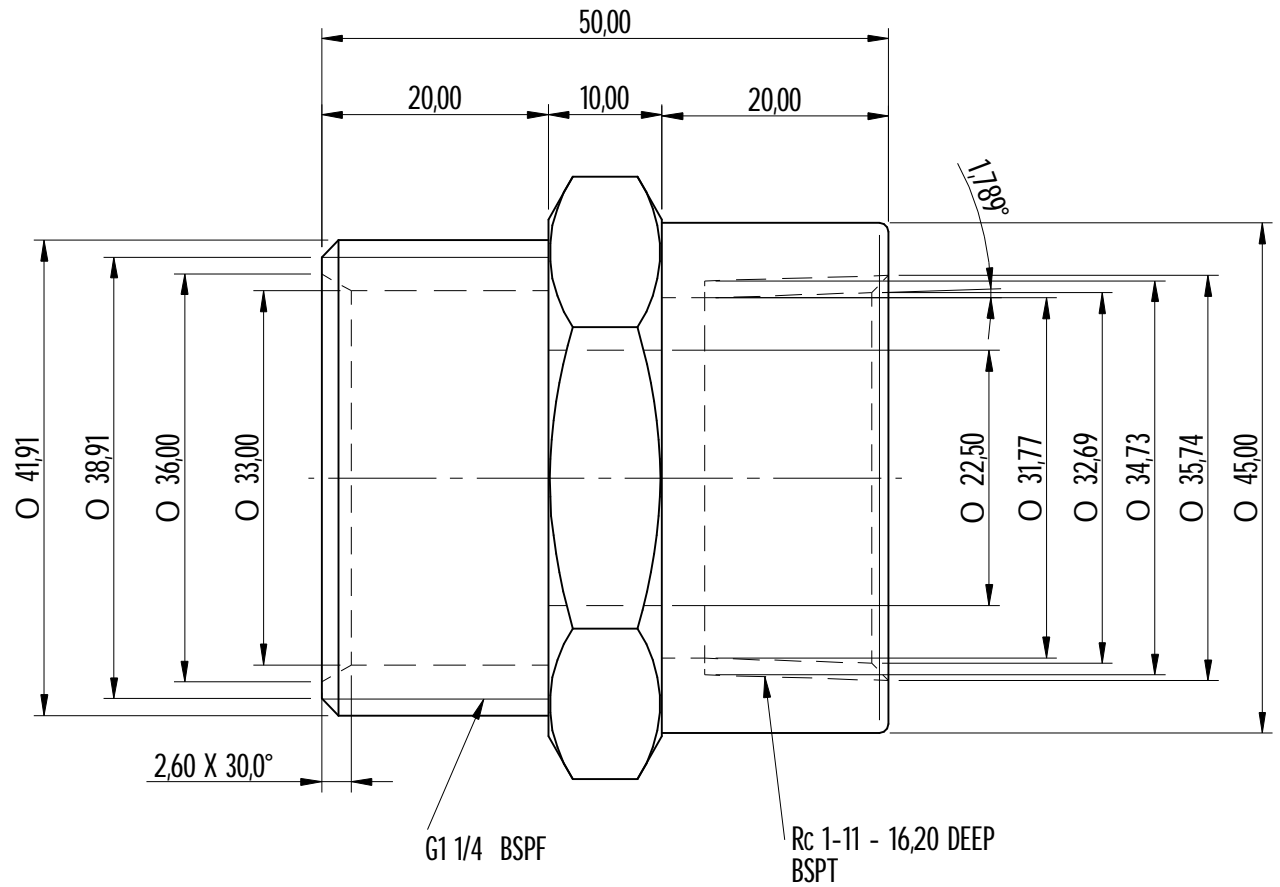
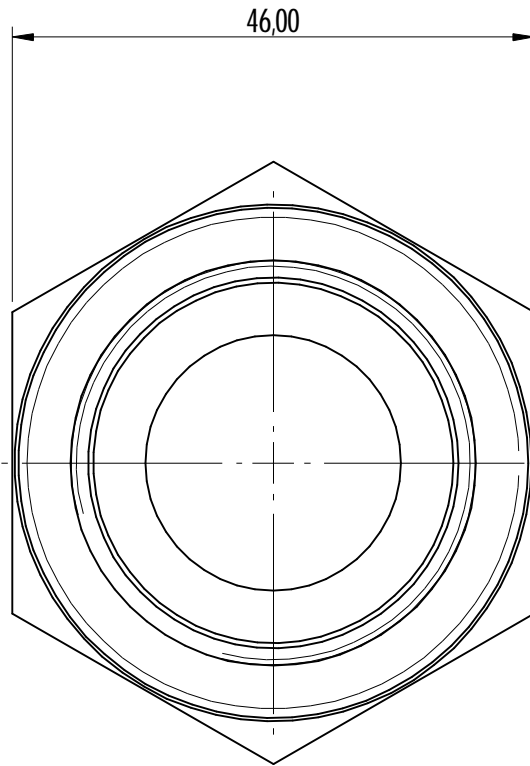


REVISION HISTORY			
REV	DESCRIPTION	DATE	APPROVED



1" BSP FEMALE

DRAWN	NAME	DATE	AGRIGEL	
APPROVED	Dan	06/15/11	TITLE	
MATERIAL			FILE NAME: 1 BSP FEMALE.dft	
TREATMENT			SCALE: WEIGHT: SHEET 1 OF 1	
UNLESS OTHERWISE SPECIFIED DIMENSIONS ARE IN MILLIMETERS ANGLES ±0.1°			SIZE A4	DWG NO
2 PL ±0.02 3 PL ±0.005			REV	