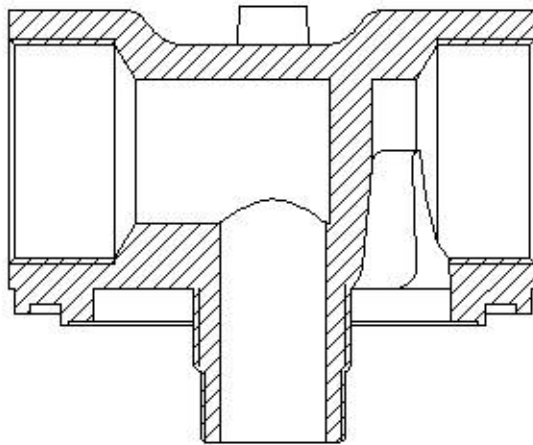
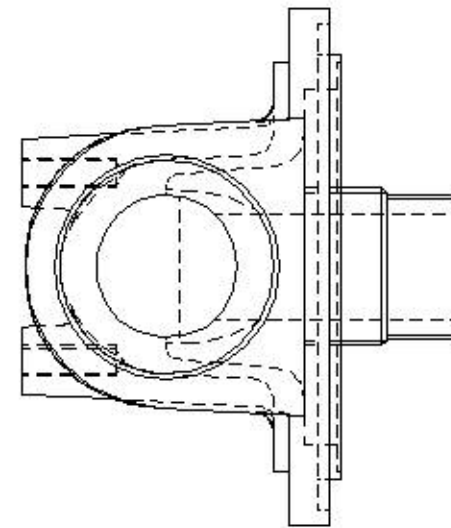
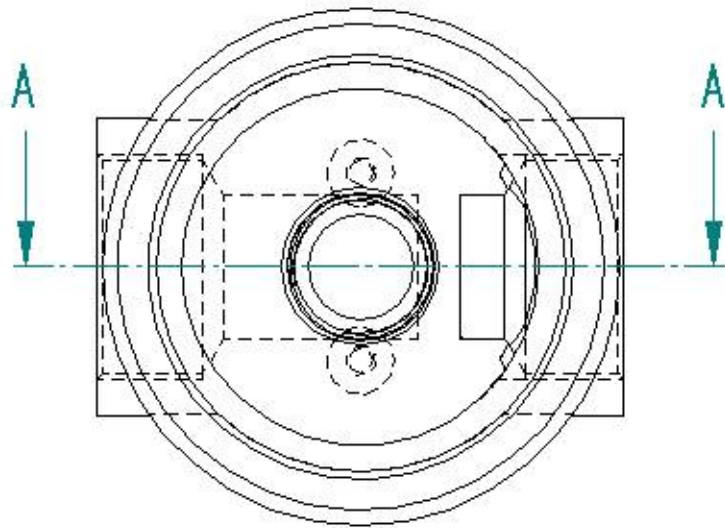


REVISION HISTORY			
REV	DESCRIPTION	DATE	APPROVED



SECTION A-A

DRAWN	NAME	DATE	PREMAC	
APPROVED	001	04.05.05	PRECISION MACHINE MANUFACTURERS (PTY) LTD.	
PLATE No.	TITLE			
TREATMENT				
UNLESS OTHERWISE SPECIFIED DIMENSIONS ARE IN MILLIMETERS ANGLES=90°			SIZE A2	REV
2 PL ±0.02 3 PL ±0.005			FILE NAME: 2 Inch Filter Head.dft	REV
SCALE:	WEIGHT:	SHEET 1 OF 1		

