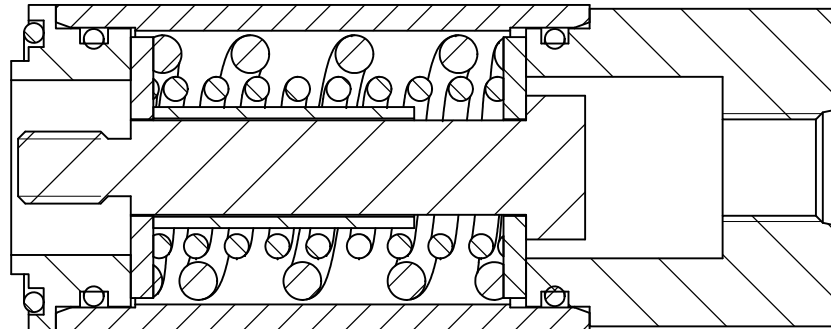
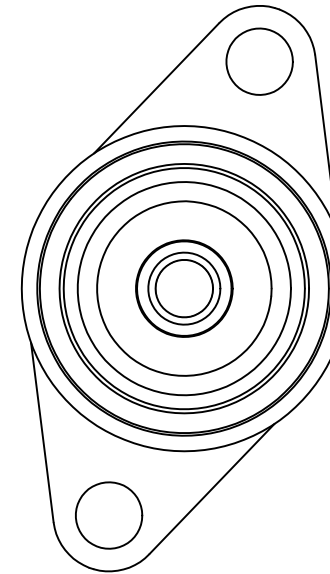
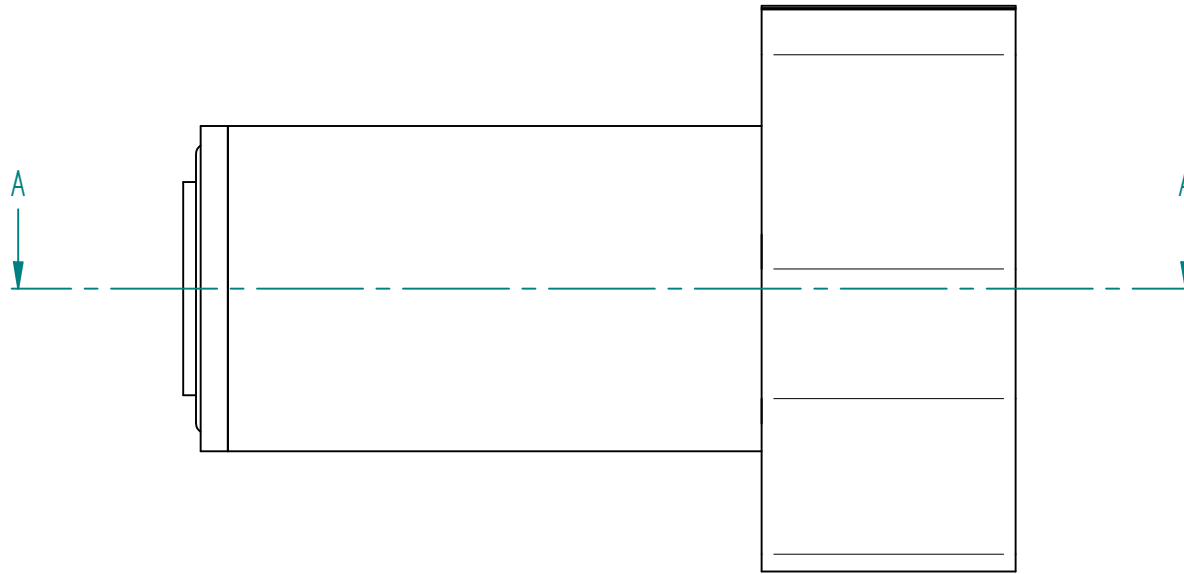


REVISION HISTORY			
REV	DESCRIPTION	DATE	APPROVED

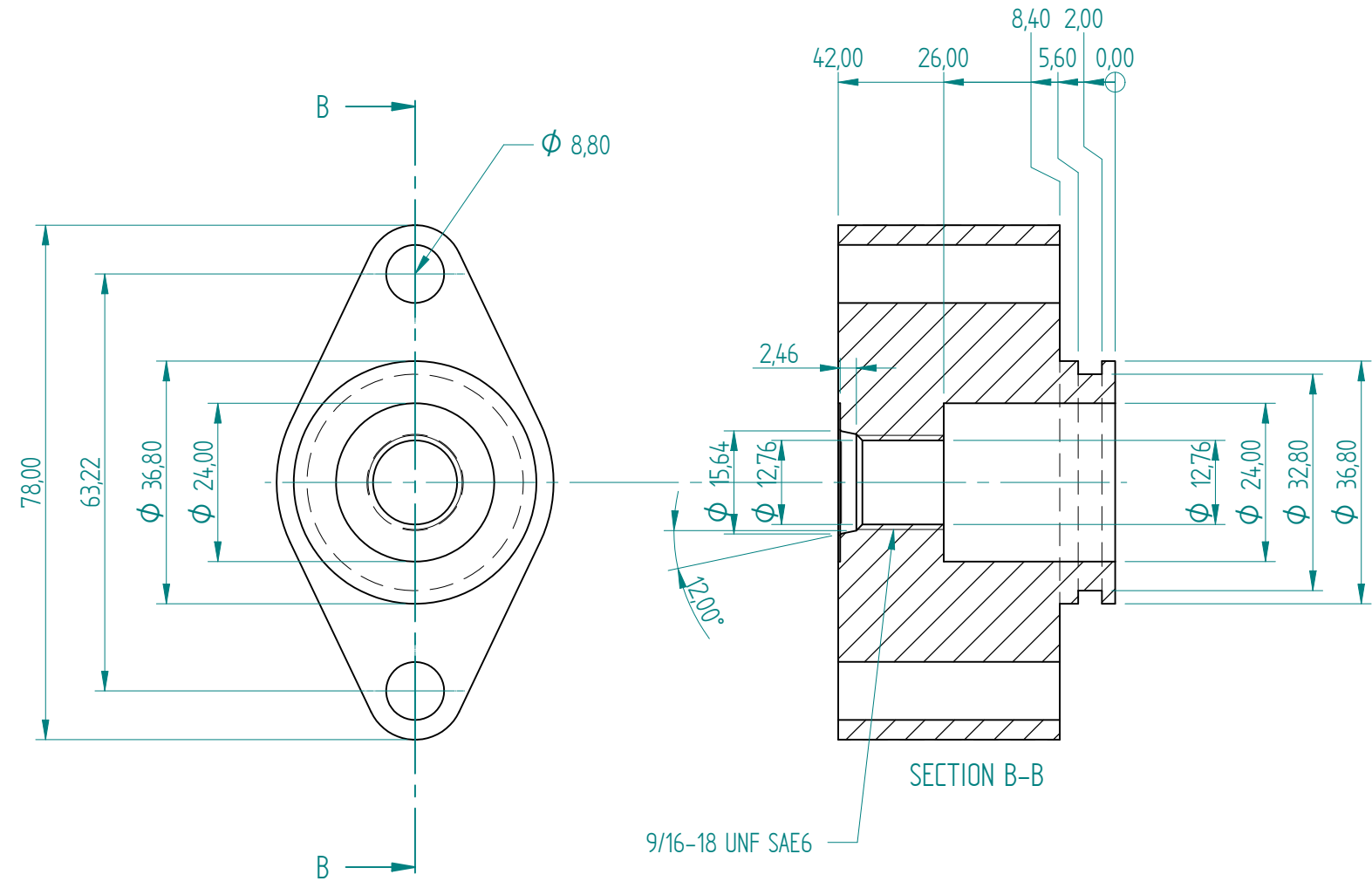


SECTION A-A

Hydraulic Remote Bonnet

	NAME	DATE	PREMAC	
DRAWN	Dan	04/25/13		
APPROVED				
MATERIAL				
TREATMENT			TITLE	
UNLESS OTHERWISE SPECIFIED DIMENSIONS ARE IN MILLIMETERS ANGLES ±0.1°			SIZE A4	DWG NO
1:10 ANGLE			FILE NAME: Hydraulic Remote Bonnet.dft	REV
2 PL ±0.02 3 PL ±0.005			SCALE:	WEIGHT:
			SHEET 1 OF 7	

REVISION HISTORY			
REV	DESCRIPTION	DATE	APPROVED



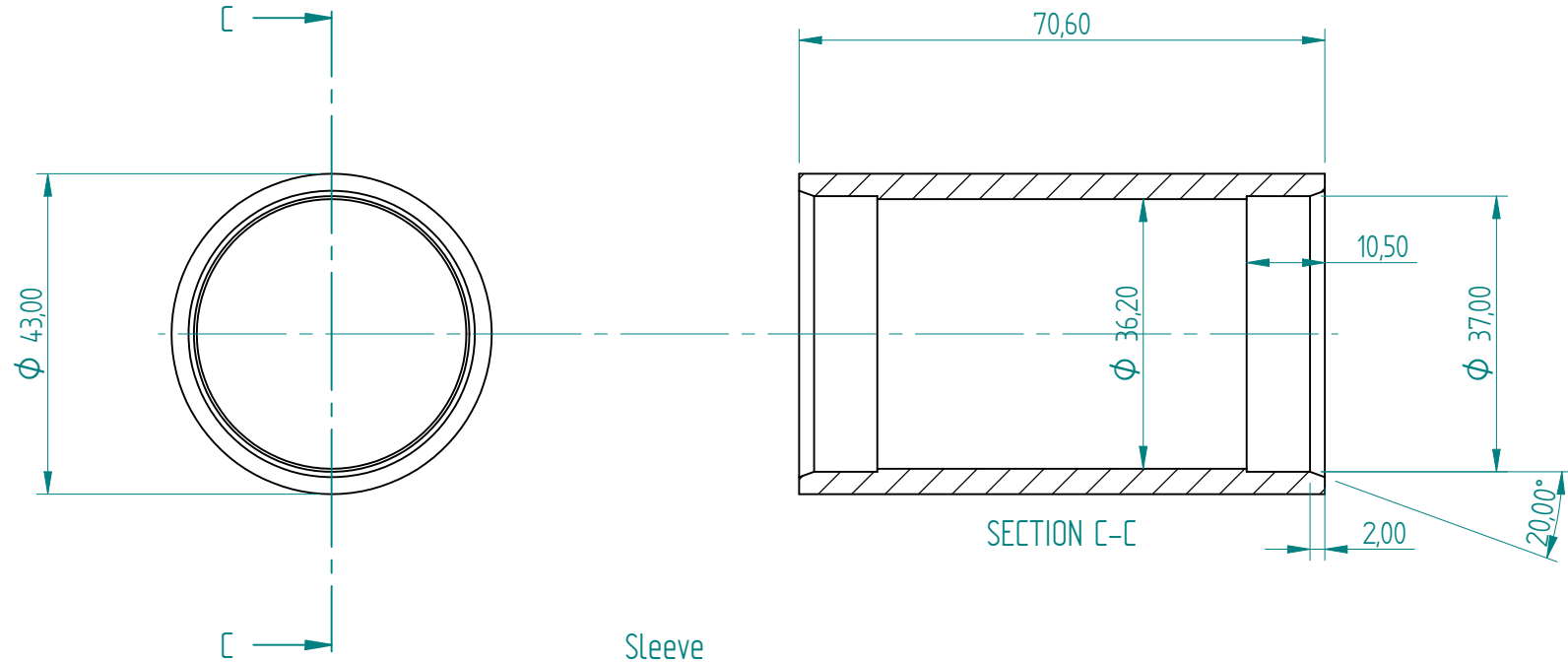
End Cap

9/16-18 UNF SAE6

SECTION B-B

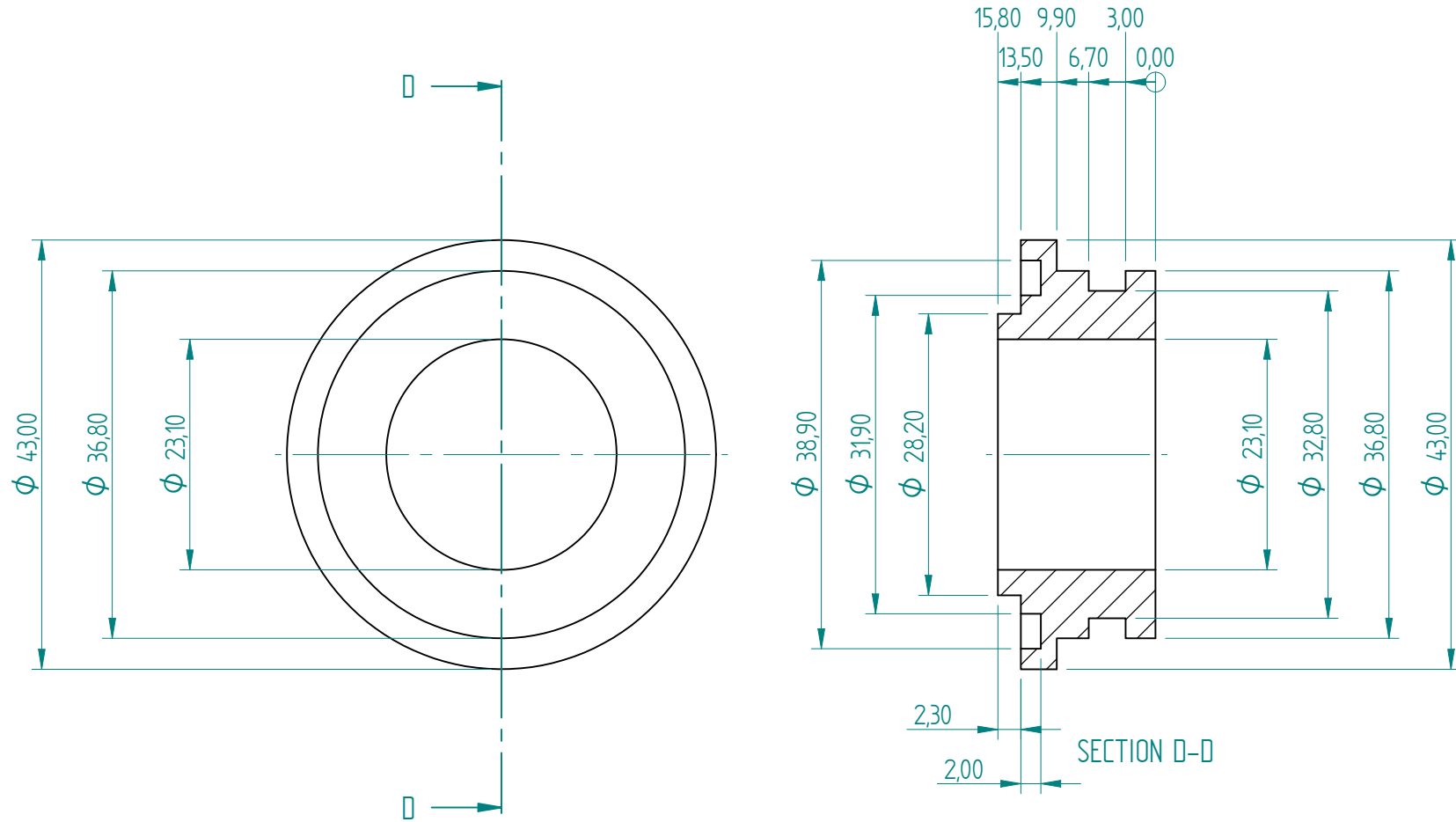
	NAME	DATE	PREMAC	
DRAWN	Dan	04/25/13		
APPROVED			TITLE	
MATERIAL				
TREATMENT				
UNLESS OTHERWISE SPECIFIED DIMENSIONS ARE IN MILLIMETERS ANGLES ±0,1°			SIZE A4	DWG NO
1:10 ANGLE			FILE NAME: Hydraulic Remote Bonnet.dft	REV
2 PL ±0.02 3 PL ±0.005			SCALE:	WEIGHT:
			SHEET 2 OF 7	

REVISION HISTORY			
REV	DESCRIPTION	DATE	APPROVED



	NAME	DATE	PREMAC		
DRAWN	Dan	04/25/13			
APPROVED					
MATERIAL					
TREATMENT			TITLE		
UNLESS OTHERWISE SPECIFIED DIMENSIONS ARE IN MILLIMETERS ANGLES ±0,1°			SIZE	DWG NO	REV
			A4		
<small>1:10 ANGLE</small> 2 PL ±0,02 3 PL ±0,005			FILE NAME: Hydraulic Remote Bonnet.dft		
SCALE:	WEIGHT:		SHEET 3 OF 7		

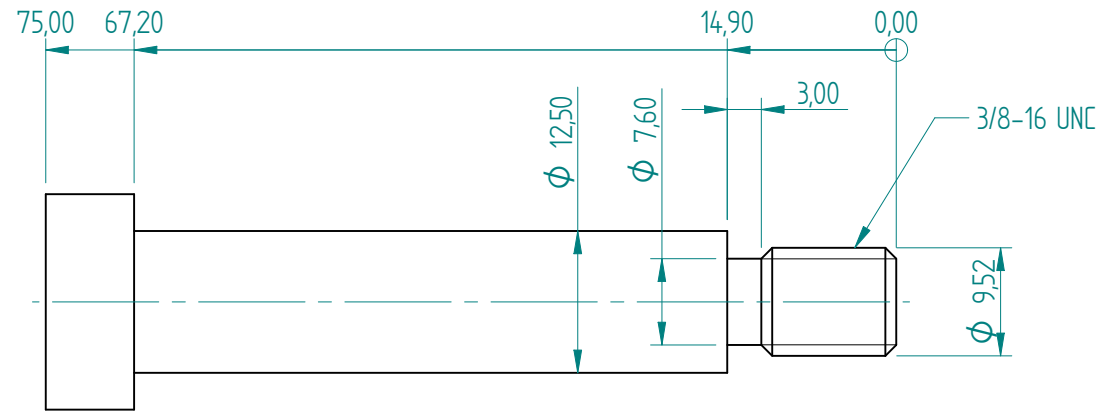
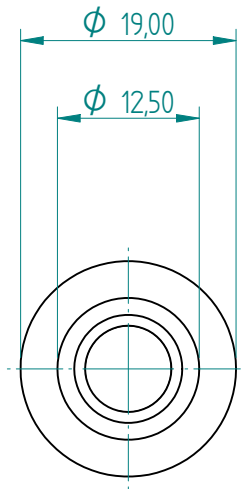
REVISION HISTORY			
REV	DESCRIPTION	DATE	APPROVED



Front Sealing Bush

	NAME	DATE	PREMAC	
DRAWN	Dan	04/25/13		
APPROVED				
MATERIAL				
TREATMENT			TITLE	
UNLESS OTHERWISE SPECIFIED DIMENSIONS ARE IN MILLIMETERS ANGLES $\pm 0,1^\circ$			SIZE A4	DWG NO
1:10 ANGLE			FILE NAME: Hydraulic Remote Bonnet.dft	REV
2 PL $\pm 0,02$ 3 PL $\pm 0,005$			SCALE:	WEIGHT:
			SHEET 4 OF 7	

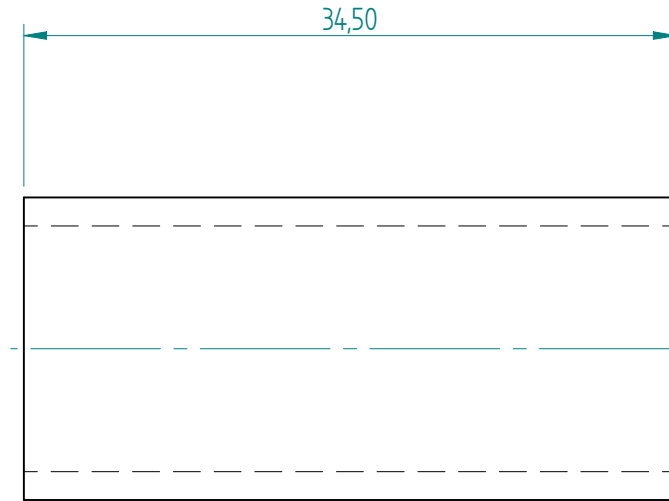
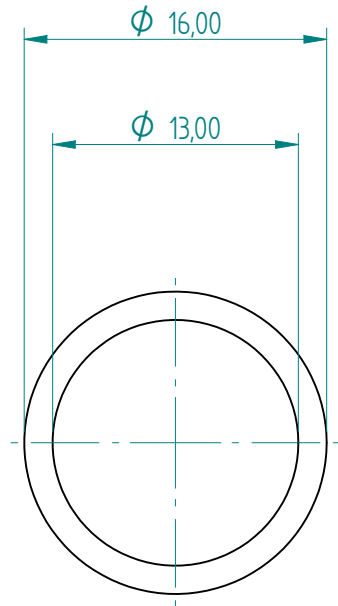
REVISION HISTORY			
REV	DESCRIPTION	DATE	APPROVED



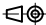
Positioner Screw

	NAME	DATE	PREMAC	
DRAWN	Dan	04/25/13		
APPROVED				
MATERIAL				
TREATMENT			TITLE	
UNLESS OTHERWISE SPECIFIED DIMENSIONS ARE IN MILLIMETERS ANGLES $\pm 0,1^\circ$			SIZE A4	DWG NO
2 PL $\pm 0,02$ 3 PL $\pm 0,005$			FILE NAME: Hydraulic Remote Bonnet.dft	REV
SCALE:			WEIGHT:	SHEET 5 OF 7

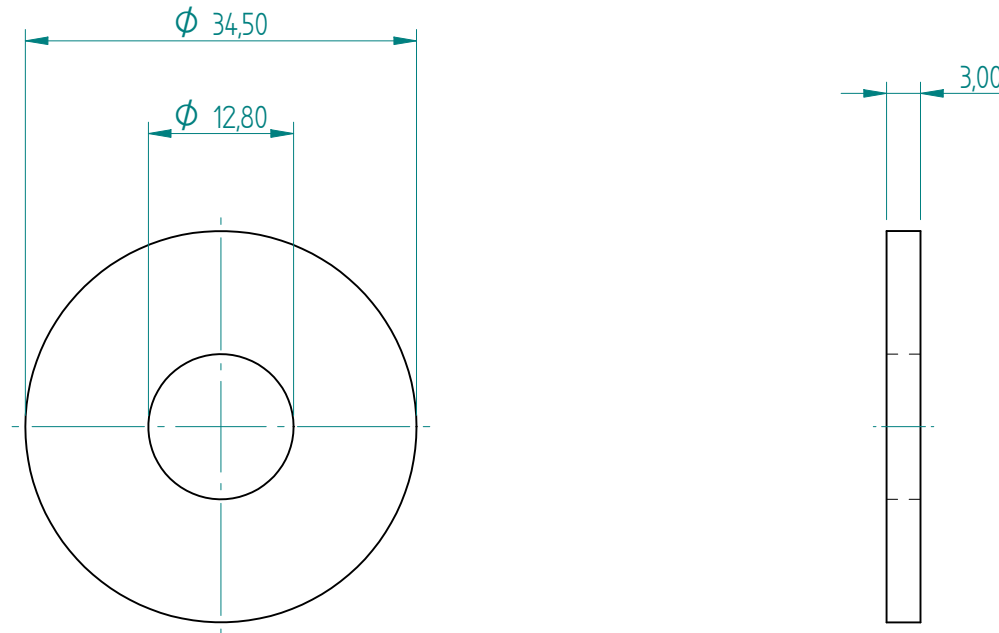
REVISION HISTORY			
REV	DESCRIPTION	DATE	APPROVED



Stopper Sleeve

	NAME	DATE	PREMAC	
DRAWN	Dan	04/25/13		
APPROVED				
MATERIAL				
TREATMENT			TITLE	
UNLESS OTHERWISE SPECIFIED DIMENSIONS ARE IN MILLIMETERS ANGLES ±0,1°			SIZE A4	DWG NO
 1:1 SCALE 2 PL ±0.02 3 PL ±0.005			FILE NAME: Hydraulic Remote Bonnet.dft	REV
	SCALE:	WEIGHT:	SHEET 6 OF 7	

REVISION HISTORY			
REV	DESCRIPTION	DATE	APPROVED



Spring End Washer

	NAME	DATE	PREMAC	
DRAWN	Dan	04/25/13		
APPROVED				
MATERIAL				
TREATMENT			TITLE	
UNLESS OTHERWISE SPECIFIED DIMENSIONS ARE IN MILLIMETERS ANGLES $\pm 0,1^\circ$			SIZE A4	DWG NO
2 PL $\pm 0,02$ 3 PL $\pm 0,005$			FILE NAME: Hydraulic Remote Bonnet.dft	REV
SCALE:			WEIGHT:	SHEET 7 OF 7